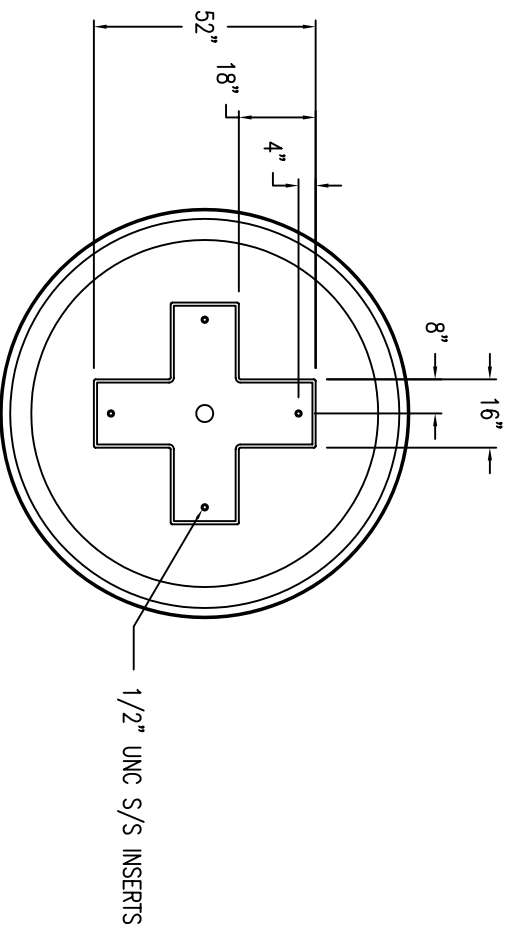
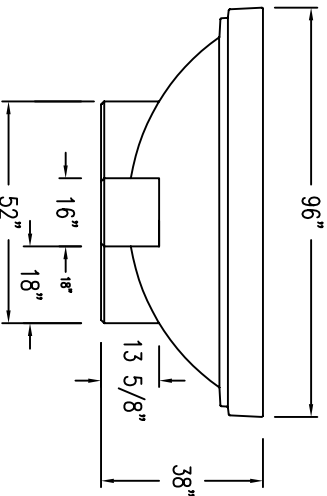


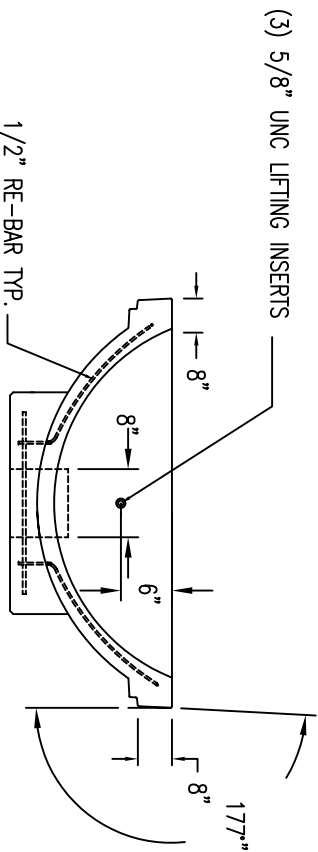
TOP VIEW PLANTER



BOTTOM VIEW PLANTER



WEIGHT: 4,800 LBS



GENERAL INFORMATION:
 These drawings, specifications and the other information and documents accompanying them are the confidential and proprietary property of Mousou Tile, Inc. The drawings themselves shall belong to the owner for use only on this project. Any additional use shall require the prior written approval of Mousou Tile, Inc. The proprietary information contained within the drawings and the documents is and shall remain the sole property of Mousou Tile, Inc.

REVISIONS

NO.	DATE	BY
1	8/21/06	RJH
2		
3		
4		



P.O. BOX 1520 WAUSAU, WI 54401 715/359-3121

SITE-FURNISHINGS

REVISED 8/21/06

JOB	96" DIA. - 38" TALL PLANTER
LOCATION	WAUSAU, WI.
DRAWN BY	RJH
DATE	9/9/03
SCALE	NTS
JOB NO.	
DRWG.	1 OF 1
DRWG NO.	SL4036