

SL4031 Planter



Size: 72" Dia. x 28.5"
Weight: 2000 lbs.
Material: Reinforced Precast Concrete.
Hardware: (4) 1/2" x 2 1/2" s/s inserts.
Reinforcing: 3/8" steel reinforcement.
Anchoring: Optional.
Maintenance: Periodically rinse with water & mild detergent, and re-seal annually.
Packaging: Banding to pallet optional. One piece construction.

Options:

Note: Options may change without notice.
Call to confirm current options.
All sizing is nominal.

Weatherstone:

Sand - Gray - Brown - Buff - Cream
Charcoal - French Gray - Brick Red -
Soulard Green

Patina:

Wenge Wood - Potters Wheele - Black Coffee

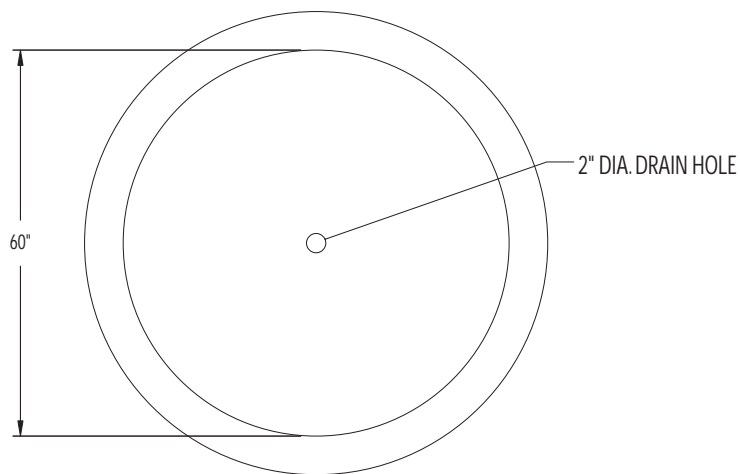
Acid Washed:

Sand - Gray - Brown - Buff - Cream
White - French Gray

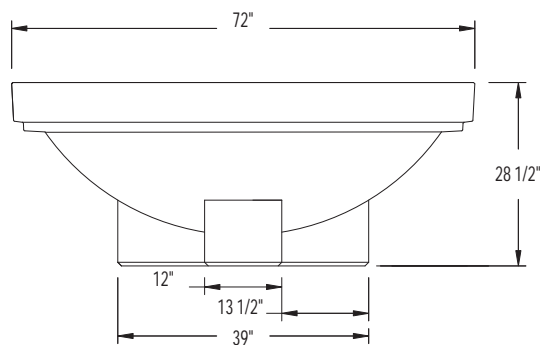
Custom Options Available

SPECIFICATIONS

SL4031 Planter



TOP VIEW PLANTER



ELEVATION VIEW PLANTER

1.1 SUMMARY

- A. Section includes: Furnish Precast Concrete Products indicated on drawings or specified herein.

1.2 REFERENCES

- A. American Society for Testing & Material
1. ASTM C33 2. ASTM C150 3. ASTM C31

1.5 SUBMITTALS

- A. Submit product data, shop drawings and samples.
1. Product Data: Manufacturer's specifications and technical data edited specifically for proposed system, including the following specific information:
 - a. Detailed specification of construction fabrication.
 - b. Manufacturer's installation instructions
 - c. Maintenance literature
 - d. Product warranty
 2. Shop Drawings: Indicate pertinent dimensions, general construction, component connections anchoring methods, hardware and installation procedures.
 3. Samples as requested by Architect.

1.6 QUALITY ASSURANCE

- A. Qualifications of Manufacturer: Manufacturer to be prequalified by specifier prior to bidding. Failure to comply will result in disqualification of bid. Manufacturer to have at least five years experience in the manufacturer of precast concrete benches field proven for at least five years.

1.10 WARRANTY

Manufacturer shall submit a written warranty for precast products for the period of two years upon acceptance of products.

2.1 MANUFACTURERS

- A. Acceptable manufacturer for Precast Concrete products to be known as Wausau Tile, Inc.
P.O. Box 1520
Wausau, WI 54402-1520.
(800) 388-8728 (715) 359-3121 FAX (715) 355-4627
- B. Clarification Note: Drawings and installation specification are based on manufacturers proprietary literature from Wausau Tile, Inc. Other manufacturers shall comply with minimum levels of material and detailing indicated on drawings or specified herein.

2.2 MATERIALS

- A. Portland Cement: ASTM C150 specifications for Portland Cement.
- B. Aggregates: All aggregates to meet ASTM C33 specifications, to be cleaned of foreign matter and properly graded to size.
- C. Coloring: All Precast products for this project shall be of one manufacturer.