

# **INSTALLATION INSTRUCTIONS**

PH SERIES Professional® Wall Hoods

# **INSTRUCTIONS D'INSTALLATION**

Hottes murales de gamme PH Professional®

# **INSTRUCCIONES DE INSTALACIÓN**

Campanas de Pared de la Serie PH  
Professional®

Models  
PH30  
PH36  
PH42  
PH48  
PH54



# IMPORTANT SAFETY INSTRUCTIONS

APPROVED FOR ALL RESIDENTIAL APPLIANCES  
FOR RESIDENTIAL USE ONLY

PLEASE READ ENTIRE INSTRUCTIONS BEFORE PROCEEDING.

**IMPORTANT:** Save these Instructions for the Local Electrical Inspector's use.

**INSTALLER:** Please leave these Instructions with this unit for the owner.

**OWNER:** Please retain these instructions for future reference.

## WARNING

If the information in this manual is not followed exactly, fire or shock may result causing property damage or personal injury. Do not repair or replace any part of the appliance unless specifically recommended in the manuals. Improper installation, service or maintenance can cause injury or property damage. Refer to this manual for guidance. All other servicing should be done by a qualified technician.

Unit is heavy and requires at least two people or proper equipment to move.

Hidden surfaces may have sharp edges. Use caution when reaching behind or under appliance.

This appliance complies with one or more of the following Standards:

- UL 858, Standard for the Safety of Household Electric Ranges
- UL 923, Standard for the Safety of Microwave Cooking Appliances
- UL 507, Standard for the Safety of Electrical Fans
- ANSI Z21.1- American National Standard for Household Cooking Gas Appliances
- CAN/CSA-C22.2 No. 113-M1984 Fans and Ventilators
- CAN/CSA-C22.2 No. 61-M89 Household Cooking Ranges

It is the responsibility of the owner and installer to determine if additional requirements and/or standards apply to specific installations.

## SAFETY WARNING

Turn off power circuit at service panel and lock out panel, before wiring this appliance.  
REQUIREMENT: 120 VAC, 60 Hz 20 A

## WARNING

To reduce the risk of fire, use only metal duct work.

If required by the National Electrical Code (or Canadian Electrical Code), this appliance must be installed on a separate branch circuit. Installer - show the owner the location of the circuit breaker or fuse. Mark it for easy reference.

Remove all tape and packaging before using the appliance. Destroy the packaging after unpacking the appliance. Never allow children to play with packaging material.

Never modify or alter the construction of the appliance. For example, do not remove leveling legs, panels, wire covers or anti-tip brackets/screws.

---

## GROUNDING INSTRUCTIONS

This appliance must be grounded. In the event of an electrical short circuit, grounding reduces the risk of electric shock by providing an escape wire for the electric current.

This appliance is equipped with a cord having a grounding wire with a grounding plug. The plug must be plugged into an outlet that is properly installed and grounded.



# IMPORTANT SAFETY INSTRUCTIONS



## WARNING

Improper grounding can result in a risk of electric shock. Consult a qualified electrician if the grounding instructions are not completely understood, or if doubt exists as to whether the appliance is properly grounded. Do not use an extension cord. If the power cord is too short, have a qualified electrician install an outlet near the appliance.

To reduce the risk of fire or electric shock, do not use this fan with any solid-state speed control devices.

### **TO REDUCE THE RISK OF FIRE, ELECTRIC SHOCK AND INJURY TO PERSONS:**

This ventilator assembly must be installed with blower model(s) VTN1030C, VTR630D, VTR1030D, VTR1330E, or VTR1530D. Other ventilator blowers cannot be substituted.

a. Use this unit only in the manner intended by the manufacturer. If you have questions, contact the manufacturer. (Thermador Customer Service at 800-735-4328).

b. **Before servicing or cleaning unit, switch power OFF at service panel and lock the service disconnecting means to prevent power from being switched on accidentally.** When the service disconnecting means cannot be locked, securely fasten a prominent warning device, such as a tag, to the service panel.

c. Installation work and electrical wiring must be done by qualified person(s) in accordance with all applicable codes and standards, including fire-rated construction.

d. Sufficient air is needed for proper combustion and exhausting of gases through the flue (chimney) of fuel burning equipment to prevent back drafting. Follow the heating equipment manufacturer's guideline and safety standards such as those published by the National Fire Protection Association (NFPA), and the American Society for Heating, Refrigeration and Air Conditioning Engineers (ASHRAE), and the local code authorities.

e. When cutting or drilling into wall or ceiling, do not damage electrical wiring and other hidden utilities.

f. Ducted fans must always be vented to the outdoors.

g. To properly exhaust air, be sure to duct air outside. Do not vent exhaust air into spaces within walls, ceilings, attics, crawl spaces, or garages.

h. Before you plug in an electrical cord, be sure all controls are in the OFF position.



## CAUTION

For general ventilating use only. DO NOT use to exhaust hazardous or explosive materials or vapors.



## CAUTION

Vent unit to the outside.

## Parts Included with your Hood

- Hood Canopy
- 12-Volt halogen bulbs, installed
- Filters (2, 3, or 4 depending on model and size)
- Metal Transition with backdraft damper installed
- Fasteners
- Remote Blower (“pigtail”) Adaptor
- Wooden Strip for Hood Support
- Wire Nuts
- 2 - 175W PAR-38 Heat Lamps or  
2 - 250W PAR-40 Heat Lamps
- Use & Care Manual /Installation Instructions
- Registration Card

## Parts Not Included with your Hood

- Duct Tape
- 1/2" Conduit
- Ventilator- The hood can be installed with ventilator models VTN1030C, VTR630D, VTR1030D, VTR1330E, or VTR1530D.
- Optional duct cover, 6" DC\*\*US or 12" DCT\*\*US height (available for purchase separately)  
\*\* = width of hood
- Optional Remote Control (available for purchase separately)

---

## CONSIDERATIONS BEFORE INSTALLING HOOD

1. For the most efficient air flow exhaust, use a straight run or as few elbows as possible.
2. Do not use flex ducting.
3. COLD WEATHER installations should have an additional backdraft damper installed to minimize backward cold air flow and a nonmetallic thermal break to minimize conduction of outside temperatures as part of the ductwork. The damper should be on the cold air side of the thermal break. The break should be as close as possible to where the ducting enters the heated portion of the house.
4. Hood installation height above a cooktop or range can vary. To obtain the necessary installation height above a Thermador Professional Cooktop or Range, consult the appliance's installation manual.
- \* For indoor grill installations, Thermador recommends a minimum of 36" clearance and remote blowers only (VTR1030D, VTR1330E, or VTR1530D).
5. Remote blowers require a five wire installation.
6. Make-Up Air: Local building codes may require the use of make-up air systems when using ducted ventilation systems greater than specified CFM of air movement. The specified CFM varies from locale to locale. Consult your HVAC professional for specific requirements in your area.
7. Refer to Remote Control Installation Instructions if applicable.

# Appliance Installation

**⚠ CAUTION:**  
Vent unit to outside of building, only.

The hood can be mounted on a wall or suspended from a cabinet. Both vertical and horizontal discharge are possible with either mounting method.

**Discharge Direction:** The hood is shipped ready for vertical discharge. To change to horizontal discharge move the discharge cover shown in Figure 1a to the top of the hood. The plate is held in place by 4 (four) screws.

**Assembly of the Transition:** The supplied transition mounts to the top or rear of the hood depending on the discharge direction.

1. Align mounting holes at base of transition with mounting holes on 1/2" flange located at the top or rear of the hood depending on direction of discharge.
2. Fasten transition to hood using two (2) # 8 sheetmetal screws (included with hood).
3. Seal connection between transition and hood with duct tape.
4. Remove tape holding damper closed.

**See Figure 1b for overall hood dimensions.**

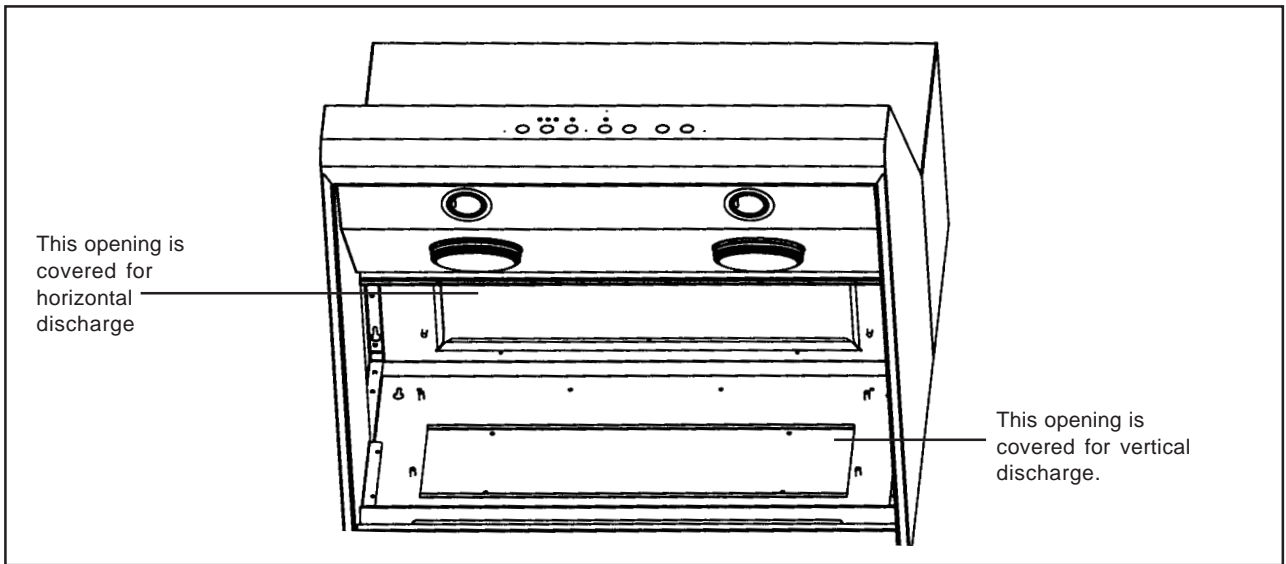


Figure 1a: Discharge Direction

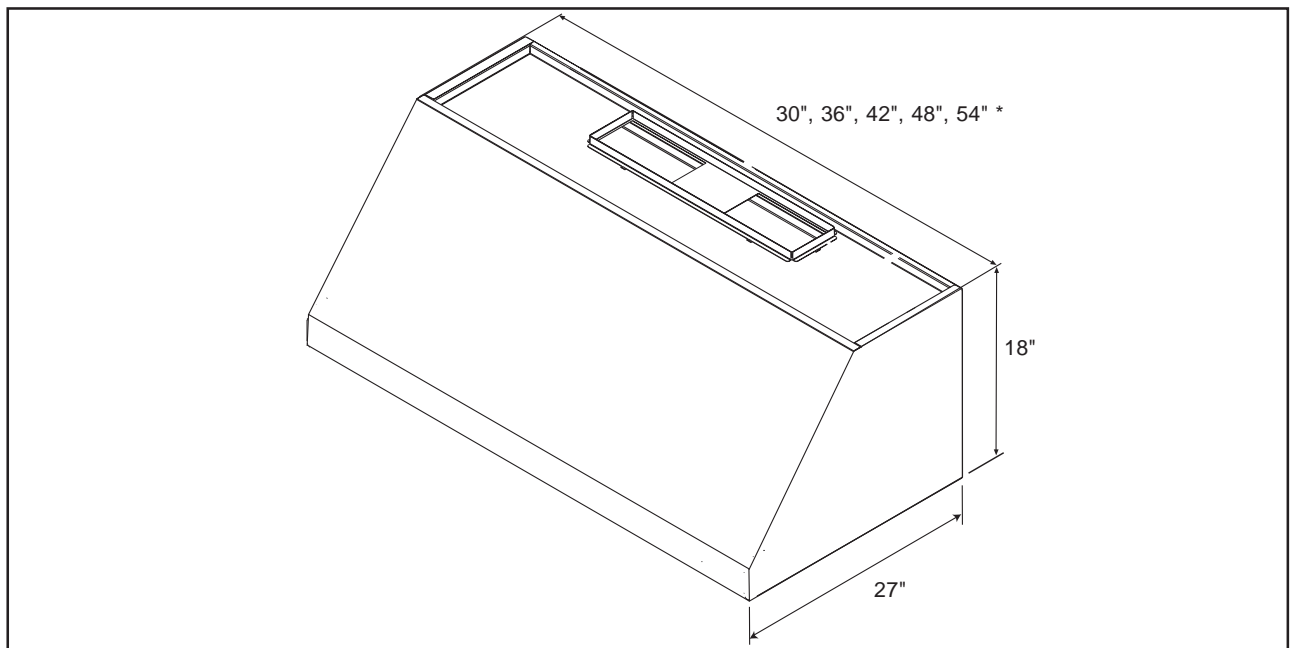


Figure 1b: Overall Dimensions

\* Varies by model.

**Note:** Read Remote Control Installation Instructions before continuing if using this accessory.

## Wall Mount Installation

The hood installation height is the user's preference. Figure 2 shows a typical installation of the hood with a duct cover. Accessory 6" and/or 12" duct covers are used to fill the space between the hood and ceiling.

The installation height shown in Figure 2 is 36". One 6" duct cover has been used in this installation. Add or subtract duct covers as appropriate to accommodate ceiling height and desired hood height. The duct cover structure is supported by the hood.

1. After the hood installation height has been determined, draw a horizontal line at a distance above the cooktop equal to the desired hood installation height plus 15-1/2". This line is the mounting location of the wooden bracket shipped with the hood.
2. Find the centerline of the cooktop. Draw a vertical line along this centerline up to the horizontal line drawn in step 1.
3. The hood is mounted to the wall using a wooden bracket shipped with the hood. Remove the bracket from the hood by removing two shipping screws. Mark the center line of the bracket.
4. Locate one stud on either side of the cooktop centerline to use for mounting the wooden bracket as shown in Figure 3.
5. Align the top of the wood bracket along the horizontal line drawn in Step 1. Align the centerlines of the bracket and cooktop.
6. Drill a 3" deep 1/8" tap hole through the wooden bracket, drywall, and into the stud.
7. Use 2 or 3 (#14 x 3") screws to attach the bracket to the wall as shown in Figure 3. For support of longer hoods, use three studs. Countersink the heads to prevent interference with the hood.
8. On the wood bracket mark the locations used to hang the hood according to Figure 4 (next page).
9. Drill a 1/8" tap hole through the wooden bracket and drywall. These (#8 x 5/8") screws do not need to go into the studs.
10. Drill a 1/16" tap hole for the 2 (#8 x 5/8") screws into the wood bracket leaving 1/4" of each screw exposed for hanging the hood.

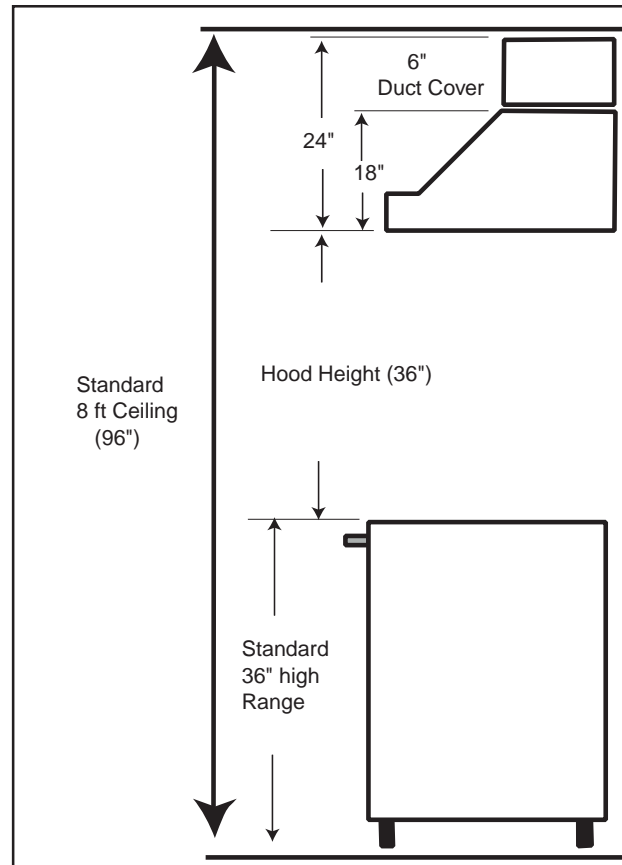


Figure 2 - Typical hood installation

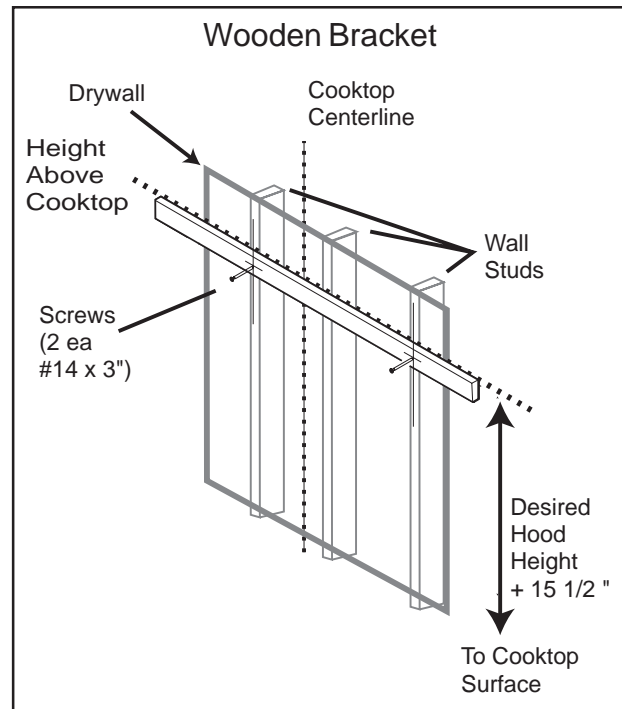


Figure 3 - Mounting the wooden bracket.

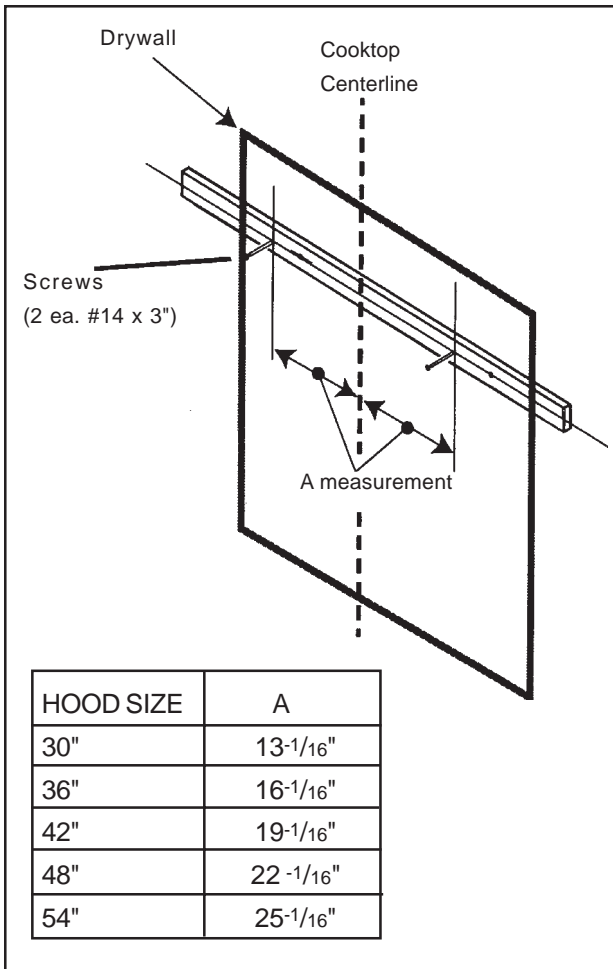


Figure 4

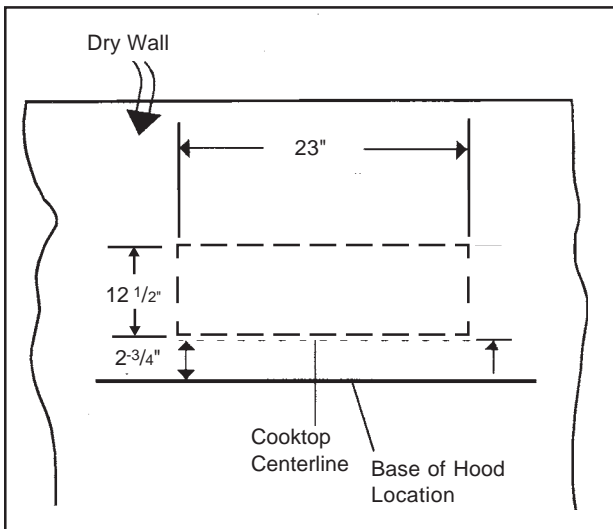


Figure 5

**Note:** Dashed line indicates cutout needed for clearance of the transition.

11. Discharge Direction: Horizontal discharge requires a wall cutout, as shown in Figure 5, to provide clearance for the transition. The location of the cutout is determined by the hood installation height.

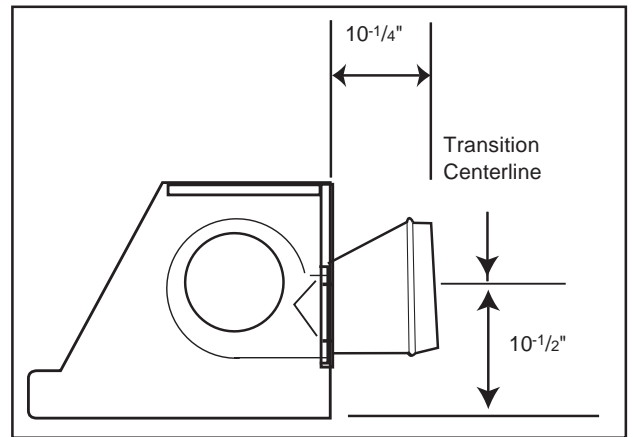


Figure 6

The transition supplied with the hood connects to standard 10-inch round duct. Figure 6 shows the transition connected for horizontal discharge.

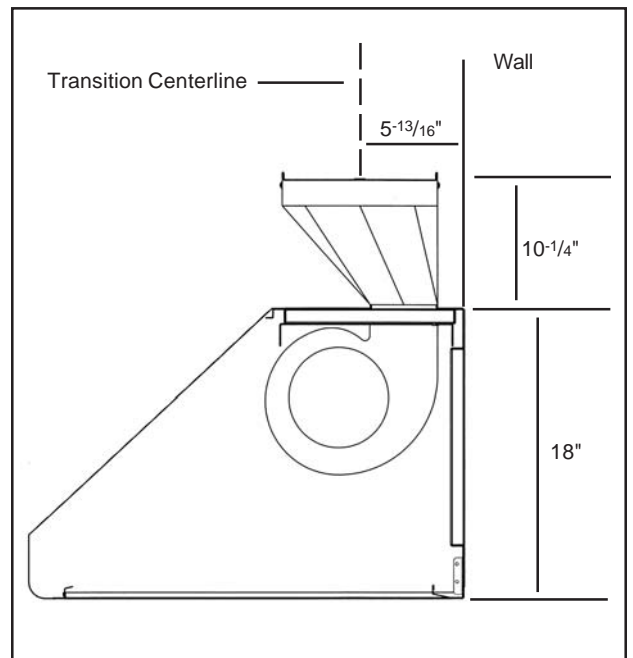


Figure 7

Figure 7 shows the hood configured for vertical discharge. Installations using this type of method require a cutout in the ceiling to accommodate 10" duct and the 1/2" conduit carrying power to the unit.

Duct covers, sold separately, are available to cover the space between the top of the hood and ceiling. (See Page 3).



- Before hanging hood, install transition per Figure 6. Fasten transition with two (2) screws (#8 x 3/8 sheet metal, supplied) and tape per all applicable codes.

**Note:** Screws must not hinder damper operation.

- Rest the hood on the screws in the wood bracket. Use the keyholes labeled "I" in Figure 8. Make sure the wood bracket fits into the recess on the back of the hood.
- Remove knockouts.
- Tighten the screws in keyholes. Check hood for level and adjust if necessary.
- From inside the hood drive screws (#8 x 5/8") through holes in hood into wooden bracket. See holes labeled J in Figure 8.
- Connect additional ducting.

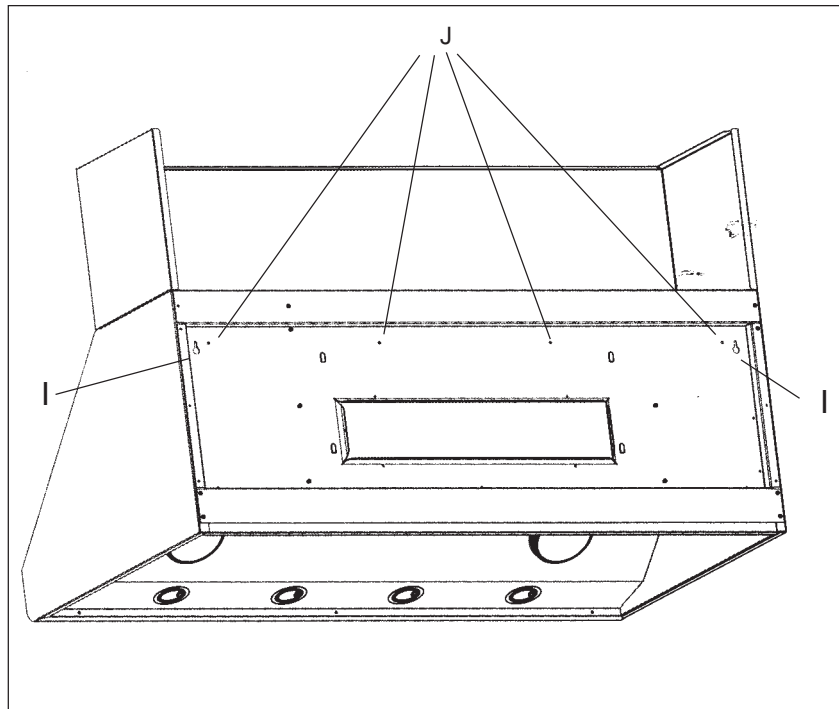


Figure 8

**Installation Note:** If wall studs are within 8" of the center line, cut stud at an angle to avoid any interference.

## Assembly and Installation of the Duct Covers

Optional duct covers shown in Figure 9 may be used to fill the space between the hood and ceiling in wall mount installations. 6" and 12" high duct covers are available and may be ordered separately.

- If multiple duct covers are used, connect the pieces together using sheetmetal screws provided with duct covers.
- Attach the duct cover(s) to the hood using sheetmetal screws as shown in Figure 9.
- From inside of hood, insert screws supplied (#8 x 5/8") through holes L, one (1) on each side and four (4) along the front, into bottom of the cabinet.

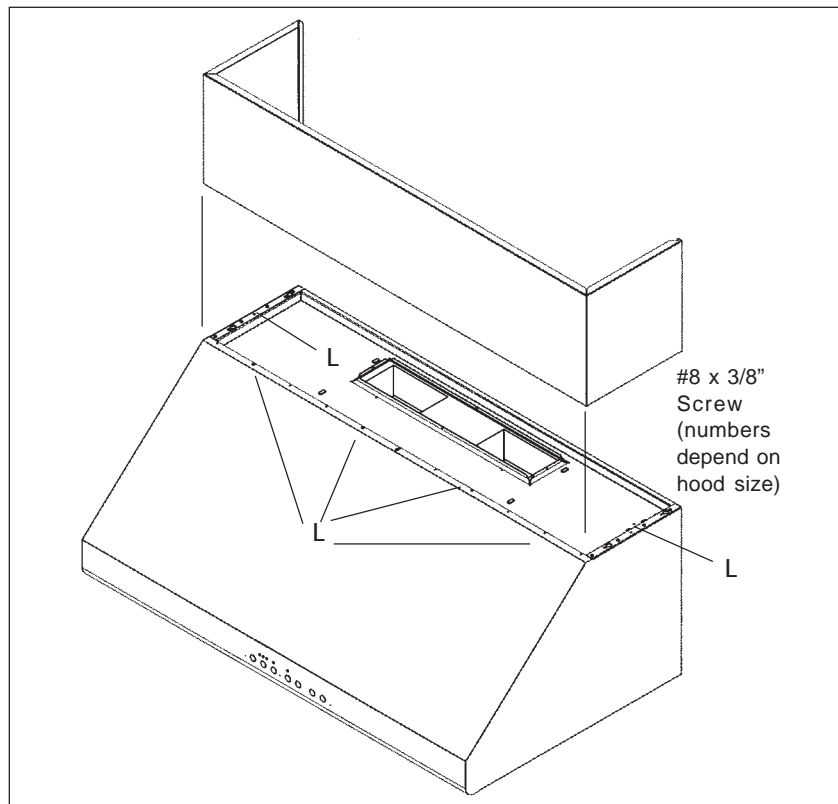


Figure 9



# Cabinet Installation

The hood can be installed under a cabinet by supporting the hood from the top.

**Note: The cabinet must be structurally joined to the wall studs to support the weight of this hood.**

Figure 10 shows the four (4) screw holes (K) used for mounting the hood to the bottom of the cabinet.

Make sure both knockouts have been removed.

1. In the base of the cabinet drill 1/8" tap holes (See Dimension A in Figure 10 and in Table). Screw in four #10 x 1" screws (provided with hood) leaving 1/4" exposed).
2. If the hood is installed for vertical discharge, use Figure 11 to create clearance holes for passage of the transition and conduit (See Dimension B in Figure 11 and in Table).
3. For horizontal discharge use Figure 5 for the geometry of the cutout required for clearance of the transition.
4. Hang hood from screws and tighten securely.
5. From inside of hood, insert screws supplied. Drill through holes (use #8 x 5/8" screws supplied), one (1) on each side and four along the front, into bottom of the cabinet. See screw holes labeled "L" in Figure 10.

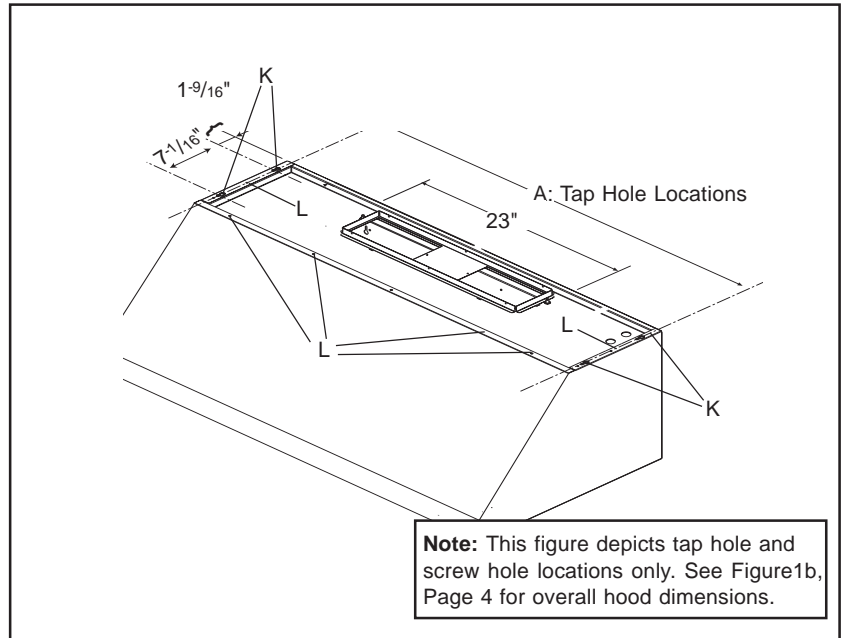


Figure 10: Tap Hole and Screw Hole Locations

## Centerline Hole Dimensions for Figures 10 and 11

HOOD SIZE	A (Fig 10) Tap Holes	B (Fig 11) Conduit Hole
30"	29-1/16"	13-7/16"
36"	35-1/16"	16-7/16"
42"	41-1/16"	19-7/16"
48"	47-1/16"	22-7/16"
54"	53-1/16"	25-7/16"

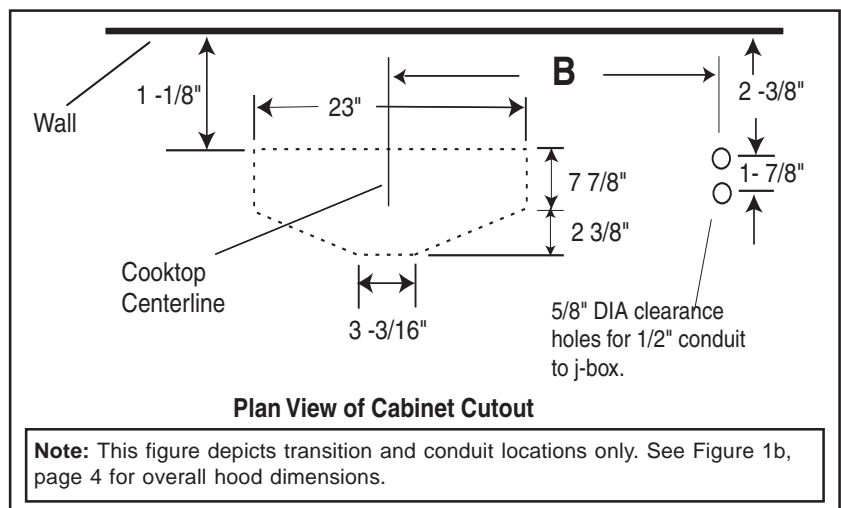


Figure 11: Transition and Conduit Locations

# Installing an Integral Blower VTN1030C

The hood can be installed with a VTN1030C blower.

## Blower preparation

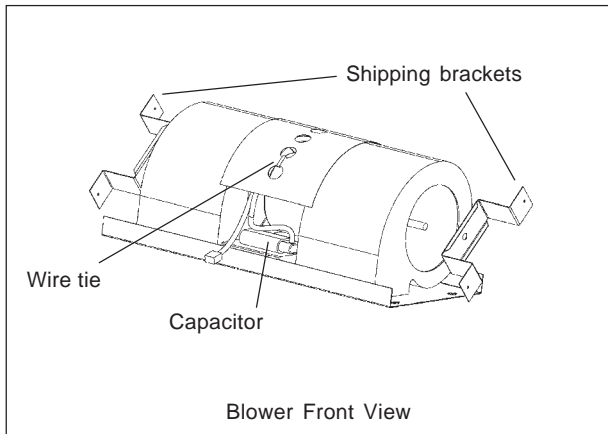


Figure 12a

1. Remove left and right shipping brackets and discard.
2. Cut wire tie shown in Figure 12a. Locate the wire harness with the Molex 6-pin connector. Route wire harness out rear of blower, as shown in Figure 12b. below.
3. Re-attach wire harnesses to capacitor with new wire tie (supplied) in same location in front.

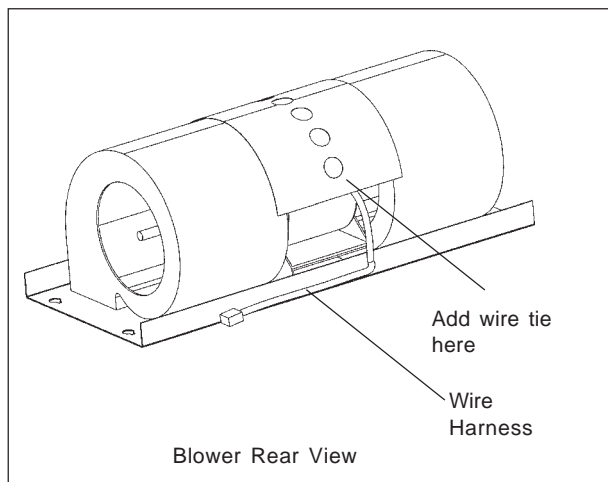


Figure 12b

4. Attach wire harness with Molex 6-pin connector to housing as shown in Figure 12b with wire tie (supplied).

## Install blower in hood:

1. The blower is attached to the hood using weld studs provided on the mounting plate.
2. Figure 12c shows the weld studs in location B for horizontal (rear) discharge. Attach four #10-24 nuts to the weld studs. For vertical discharge, attach nuts to studs at the top of the mounting plate.

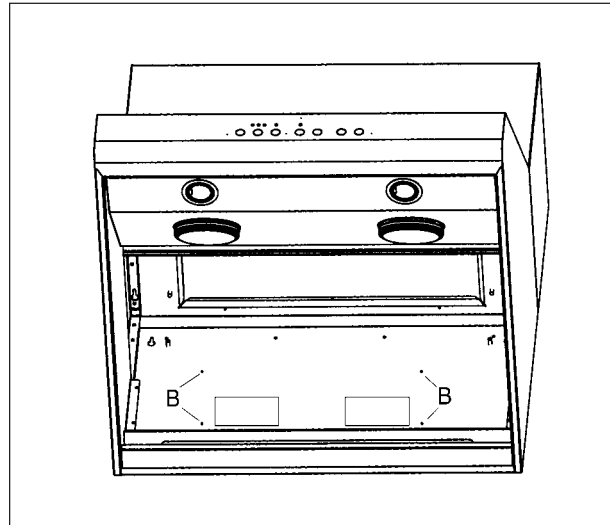


Figure 12c

3. Guide the motor mounting plate over the nuts and tighten to secure the blower to the hood.
4. Attach two (2) additional screws as shown in Figure 12d.

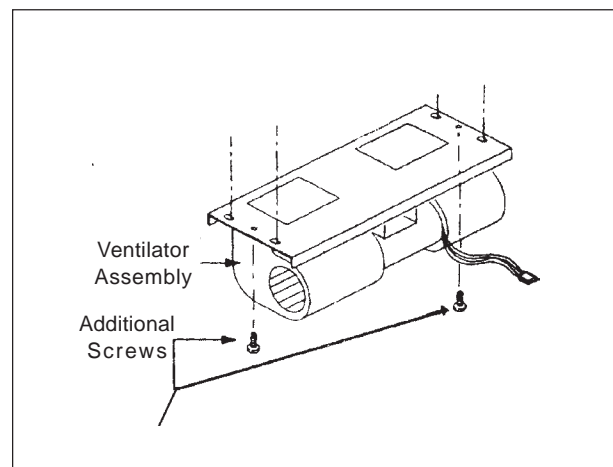


Figure 12d

### **CAUTION:**

Verify that the two (2) additional screws in Figure 12d are installed and properly tightened before continuing.

# Wire Routing Instruction

## Vertical Discharge

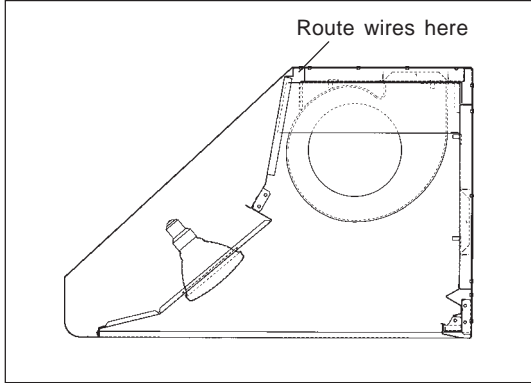


Figure 12e

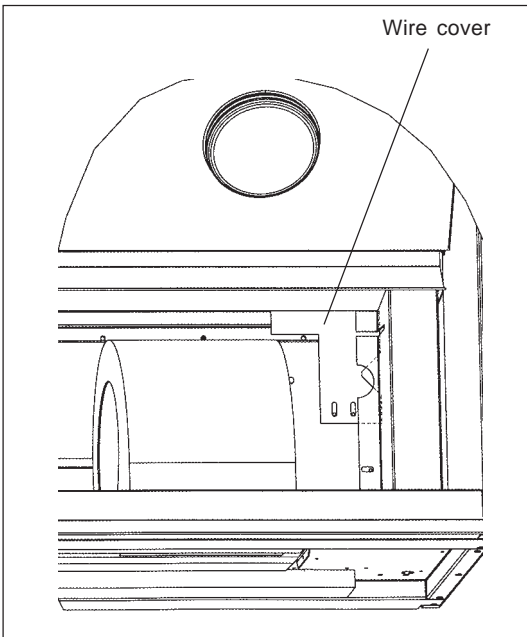


Figure 12f

Install wire cover per Figure 12F. The 30"-wide model does not need a wire cover.

## Horizontal Discharge

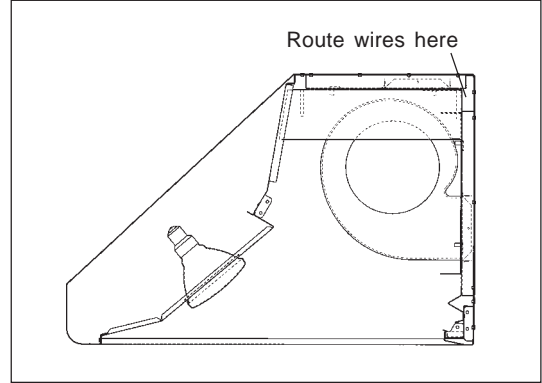


Figure 12g

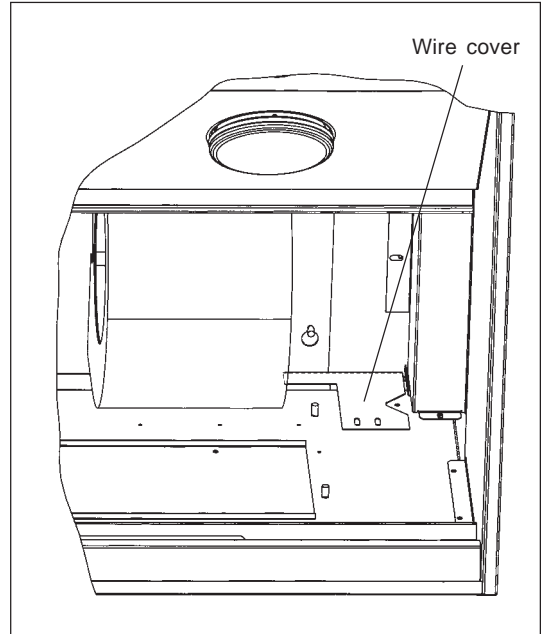


Figure 12h

Install wire cover per Figure 12H. The 30"-wide model does not need a wire cover.

## WARNING

Turn off electricity at the service panel before wiring the unit. (See Safety Instructions, Page 1).

### Wiring the Hood with an Integral Motor

1. Remove the j-box cover.
2. Connect the VTN1030C molex plug connector to the connector present inside the hood as shown in Figure 13.
3. Install 1/2" conduit connector in j-box.

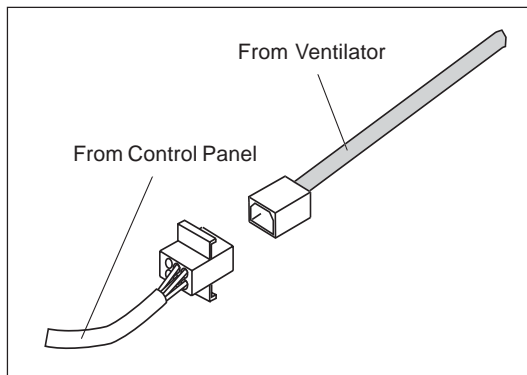


Figure 13

4. Run black, white, and green wires (#12 AWG) in 1/2" conduit from power supply to J-box.
5. Connect the power supply wires to the hood wires in the following order: black to black, white to white, and green wire to green ground screw on chassis. Use spring type wire nuts supplied. (Lost or missing wire nuts should only be replaced with: Spring type wire nuts rated for a minimum of (2) # 18ga wires and maximum of (4) #14ga wires, UL & CSA rated to 600V and 302 deg. F./150 deg. C).
6. Close J-box cover. Check to see that light bulbs are secure in their sockets. Replace filters as described in the Care & Use Manual. Turn power on at service panel. Check operation of the hood.

### Remote Blower Installation

The PH hood models are designed to work with VTR630D, VTR1030D, VTR1330E, or VTR1530D remote blowers. For installation instructions see the instructions supplied with the blower unit.

### Wiring the Hood with a Remote Blower

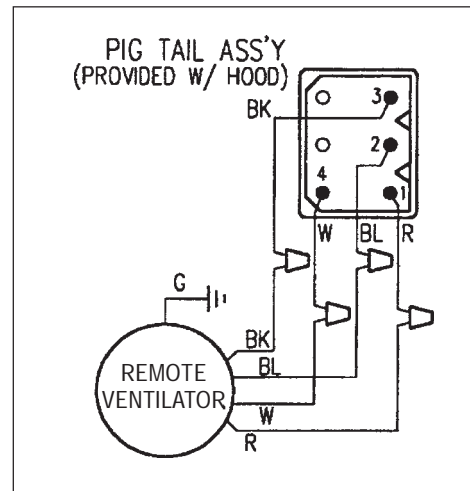


Figure 14

1. Remove the J-box cover.
2. Install 1/2" conduit connectors.
3. Run black, white, and green wires (#12 AWG) in 1/2" conduit from power supply to j-box.
4. Connect the power supply wires to the hood wires in the following order: black to black, white to white, and green wire to green ground screw on chassis. Use spring type wire nuts supplied. (Lost or missing wire nuts should only be replaced with: Spring type wire nuts, rated for a minimum of (2) # 18ga wires and maximum of (4) #14ga wires, UL & CSA rated to 600V and 302 deg. F./150 deg. C).
5. Connect the "pigtail" to the connector inside the junction box.
6. Run five (5) wires (#14 AWG) in 1/2" conduit from the remote blower to the second conduit connector.
7. Connect the remote ventilator to the pigtail wires (Step 6) as per Figure 14. Connect the remote blower green (ground) wire to the ground screw in the junction box.
8. Close junction box cover. Check that all light bulbs are secure in their sockets. Install filters. Turn power on at service panel, and check lights and blower operation per Care & Use Manual.



# INSTRUCTIONS DE SÉCURITÉ IMPORTANTES

APPROUVÉ POUR TOUT APPAREIL RÉSIDENTIEL  
POUR UTILISATION RÉSIDENTIELLE SEULEMENT  
LIRE TOUTES LES INSTRUCTIONS AVANT DE PROCÉDER

**IMPORTANT** : conserver ces instructions pour utilisation par l'inspecteur en électricité local.

**INSTALLATEUR** : laisser ces instructions avec l'appareil pour le propriétaire

**PROPRIÉTAIRE** : conserver ces instructions à des fins de références.



## AVERTISSEMENT

Si l'information contenue dans ce guide n'est pas suivie, il peut en résulter un incendie ou un choc électrique pouvant causer des dommages à la propriété ou des blessures.

Ne pas réparer ni remplacer toute pièce de l'appareil à moins que cela ne soit spécifiquement recommandé dans les guides. Une installation, un service ou un entretien inadéquats peuvent causer des dommages à la propriété ou des blessures. Consulter ce guide. Tout autre service doit être effectué par un technicien qualifié.

L'appareil est lourd et requiert au moins deux personnes ou un équipement approprié pour le déplacer.

Les surfaces dissimulées peuvent avoir des bords tranchants. Faire attention au moment d'aller derrière ou sous l'appareil.

Cet appareil est conforme à une ou plusieurs des normes suivantes.

- UL858 - norme pour la sécurité des cuisinières électriques domestiques.
- UL923 - norme pour la sécurité des appareils de cuisson à micro-ondes.
- UL507 - norme pour la sécurité des ventilateurs électriques.
- ANSI Z21.1 - norme américaine nationale pour les appareils de cuisson à gaz
- CAN/CSA-C22.2, n° 113-M1984 - ventilateurs
- CAN/CSA-C22.2 n° 61-M89 - cuisinières domestiques

Il incombe au propriétaire et à l'installateur de déterminer si des exigences additionnelles et/ou des normes s'appliquent pour des installations spécifiques.



## AVERTISSEMENT DE SÉCURITÉ

Fermer l'alimentation électrique au panneau de service et verrouiller avant d'effectuer le câblage de l'appareil.

EXIGENCE : 120 VAC, 60 Hz 20 A



## AVERTISSEMENT

Pour réduire le risque d'incendie, utiliser seulement des conduits en métal.

Si requis par le Code national d'électricité (ou le code canadien d'électricité), cet appareil doit être installé sur un circuit séparé.

Installateur - indiquer au propriétaire l'emplacement du coupe-circuit ou du fusible. Le noter à des fins de références.

Enlever tout ruban et emballage avant d'utiliser l'appareil. Jeter l'emballage après avoir déballé l'appareil. Ne jamais laisser les enfants jouer avec le matériel d'emballage.

Ne jamais modifier la fabrication de l'appareil. Par exemple, ne pas enlever les pieds niveleurs, les panneaux, les couvercles de fils ni le dispositif anti bascule et les vis.

## INSTRUCTIONS DE MISE À LA TERRE

Cet appareil doit être mis à la terre. Dans le cas d'un court-circuit, la mise à la terre réduit le risque de choc électrique en fournissant un détour au courant électrique.

Cet appareil est doté d'un cordon avec fil de mise à la terre et d'une fiche mise à la terre. Cette fiche doit être branchée sur une prise adéquatement installée et mise à la terre.



## INSTRUCTIONS DE SÉCURITÉ IMPORTANTES



### AVERTISSEMENT

Une mise à terre inadéquate peut causer un risque de choc électrique. Consulter un électricien qualifié si les instructions de mise à la terre ne sont pas entièrement comprises ou si un doute existe quant à la mise à la terre appropriée de l'appareil. NE pas utiliser de rallonge. Si le cordon d'alimentation est trop court, demander à un électricien qualifié d'installer une prise à proximité de l'appareil.

Pour réduire le risque d'incendie ou de choc électrique, ne pas utiliser ce ventilateur avec tout appareil à contrôle de vitesse à semi-conducteur.

#### POUR RÉDUIRE LE RISQUE D'INCENDIE, DE CHOC ÉLECTRIQUE OU DE BLESSURES

Cet assemblage de ventilateur doit être installé avec une soufflerie, modèle VTN1030C, VTR630D, VTR1030D, VTR1330E, ou VTR1530D. Ne pas substituer d'autres souffleries.

a. Utiliser cet appareil seulement de la façon prévue par le fabricant. Pour toute question, communiquer avec le fabricant. (Service à la clientèle Thermador au 800.735.4328.)

b. **Avant le service ou de nettoyer l'appareil, fermer l'alimentation au panneau de service et le verrouiller afin d'empêcher l'alimentation d'être mise en circuit accidentellement.** Lorsque le panneau de service ne peut être verrouillé, apposer en évidence un avertissement sur le panneau de service.

c. L'installation et le câblage électrique doivent être effectués par des techniciens qualifiés conformément à tous les codes applicables et les normes, incluant celles pour les constructions retardateur de feu.

d. Suffisamment d'air est nécessaire pour une combustion appropriée et l'échappement des gaz par la cheminée pour l'équipement à combustion pour empêcher un retour. Suivre les directives du fabricant d'équipement de chauffage et les normes de sécurité telles celles publiées par l'Association nationale pour la protection contre les incendies (NFPA) et la Société américaine des ingénieurs en chauffage, réfrigération et climatisation (ASHRAE) ainsi que les autorités locales.

e. Au moment de couper ou de percer un mur ou un plafond, ne pas endommager le câblage électrique et autres installations utilitaires.

f. Les ventilateurs à conduit doivent toujours être ventilés vers l'extérieur.

g. Pour un échappement approprié de l'air, s'assurer que le conduit est acheminé vers l'extérieur. Ne pas ventiler dans des espaces dans les murs, plafonds, greniers, espaces restreints ou garages.

h. Avant de brancher le cordon électrique, s'assurer que tous les contrôles sont en position ARRÊT (OFF).



### ATTENTION

À des fins de ventilation générale seulement. NE PAS utiliser pour ventiler des vapeurs ou matériaux hasardeux ou explosifs.



### ATTENTION

Ventiler l'appareil vers l'extérieur de l'édifice seulement

## Pièces comprises avec la hotte

- Hotte
- Ampoules halogènes 12 volts, installées
- Filtres, 2, 3 ou 4 selon le modèle et la dimension
- Transition en métal et registre de tirage arrière installés
- Attaches
- Adaptateur («tire-bouchon») de soufflerie à distance
- Montant en bois pour supporter la hotte
- Serre-fils
- 2 ampoules 175W PAR-38 ou  
2 ampoules 250W PAR-40
- Instructions d'installation et d'entretien et utilisation.
- Carte d'enregistrement

## Pièces non comprises

- Ruban à conduit
- Conduit 1/2 po
- Ventilateur - la hotte peut être installée avec les modèles de ventilateur VTN1030C, VTR630D, VTR1030D, VTR1330E, ou VTR1530D.
- Couvercle de conduit optionnel, 6 po DC\*\*US ou 12 po DCT\*\*US de haut, disponible séparément (\*\* = largeur de la hotte.)
- Télécommande optionnelle (disponible, vendue séparément)

---

## À CONSIDÉRER AVANT L'INSTALLATION

1. Pour un échappement du débit d'air efficace, utiliser un chemin droit ou ayant le moins de coudes possible.
  2. Ne pas utiliser de conduit flexible.
  3. Les installations où il FAIT FROID doivent avoir un registre de tirage additionnel installé afin de minimiser un débit d'air froid arrière et une résistance thermique non métallique pour minimiser la conduction des températures extérieures faisant partie des conduits. Le registre doit être du côté de l'air froid de la résistance thermique. Cette dernière doit être aussi près que possible de l'endroit où le conduit entre dans la portion chauffée de la maison.
  4. La hauteur de l'installation de la hotte au-dessus de la surface de cuisson ou de la cuisinière varie. Pour obtenir la hauteur d'installation au-dessus d'une surface de cuisson ou d'une cuisinière Professional Thermador, consulter le guide d'installation de l'appareil.
  5. Les souffleries à distance requièrent une installation à 5 fils.
  6. Air d'appoint : les codes de construction locaux peuvent exiger l'utilisation de système d'air d'appoint au moment d'utiliser des systèmes de ventilation à conduit plus grand que le mouvement d'air CFM spécifié. Le CFM spécifié varie d'un endroit à l'autre. Consulter un professionnel HVAC concernant les exigences spécifiques dans la région.
  7. Consulter les instructions d'installation de la télécommande, au besoin.
- \* Pour les installations de gril extérieur, Thermador recommande un dégagement minimum de 36 po et soufflerie à distance seulement (VTR1030D, VTR1330E, ou VTR1530D).



# Installation de l'appareil



## ATTENTION

Ventiler l'appareil vers l'extérieur de l'édifice seulement

La hotte peut être installée au mur ou suspendue d'une armoire. Une décharge verticale ou horizontale est possible avec une ou l'autre des méthodes.

**Direction de la décharge:** La hotte est expédiée prête pour une décharge verticale. Pour passer en position horizontale, simplement déplacer le couvercle de décharge, illustré à la figure 1, vers le haut de la hotte. La plaque est maintenue en place par 4 vis.

**Assemblage de la transition:** La transition fournie se fixe sur le haut ou l'arrière de la hotte selon la direction de la décharge.

1. Aligner les trous de fixation à la base de la transition avec les trous de fixation sur le rebord 1/2 po situé au haut ou à l'arrière de la hotte selon la direction de la décharge.
2. Attacher la transition à la hotte à l'aide de deux (2) vis à métal n° 8 x 3/8 po (comprises avec la hotte).
3. Sceller la connexion entre la transition et la hotte avec du ruban à conduit.
4. Enlever le ruban qui maintient le registre fermé.

**Voir figure 1b pour les dimensions hors tout de la hotte.**

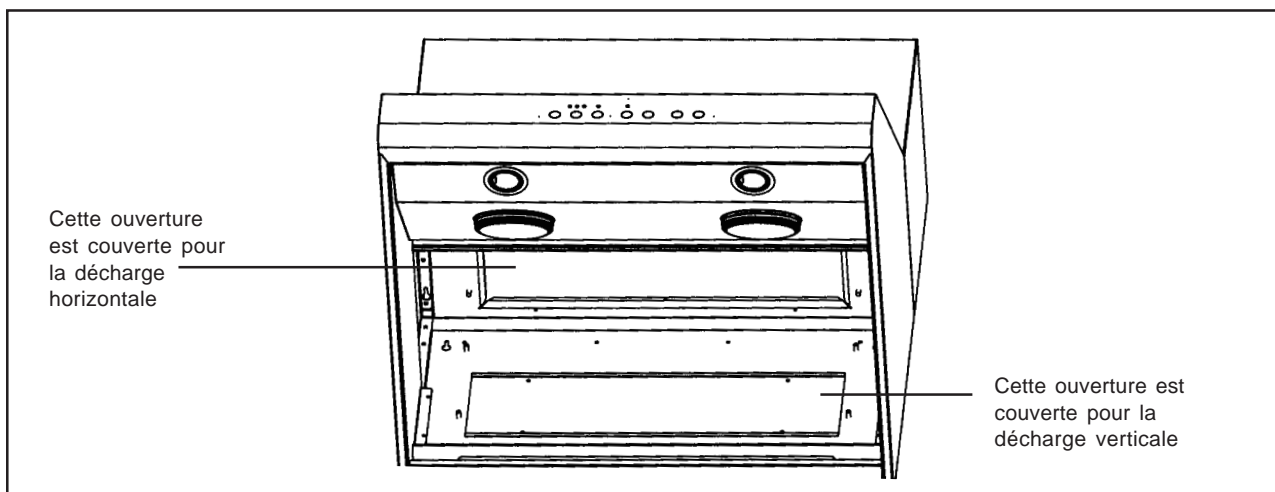


Figure 1a : Direction de la décharge

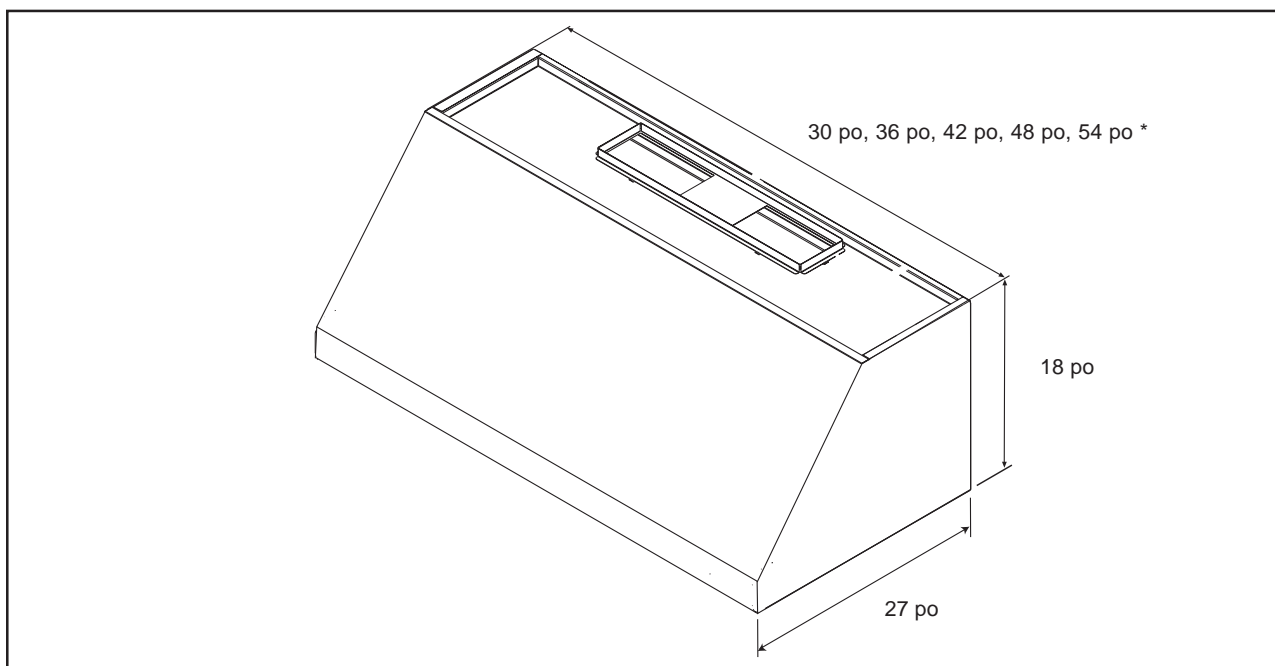


Figure 1b : Dimensions hors tout

\* Varie selon le modèle

**Remarque :** Lire les instructions d'installation de la télécommande avant de continuer si cet accessoire est utilisé.

## Installation murale

La hauteur de l'installation de la hotte est selon les préférences de l'utilisateur. La figure 2 illustre une installation typique avec un couvercle de conduit. Les couvercles de conduit 6 po et/ou 12 po (accessoires) sont utilisés pour remplir l'espace entre la hotte et le plafond.

La hauteur de l'installation montrée à la figure 2 est de 36 po. Un couvercle de conduit 6 po a été utilisé dans cette installation. Ajouter ou enlever des couvercles de conduit pour accommoder la hauteur de plafond et la hauteur désirée de la hotte.

1. Une fois la hauteur désirée établie, tirer une ligne horizontale à une distance au-dessus de la plaque de cuisson égale à la hauteur désirée de l'installation de la hotte plus 15 1/2 po. Cette ligne est l'emplacement du montant en bois expédié avec la hotte.
2. Repérer la ligne centrale de la plaque de cuisson. Tirer une ligne verticale le long de cette ligne centrale jusqu'à la ligne horizontale, dessinée à l'étape 1.
3. La hotte est fixée au mur à l'aide du montant en bois expédié avec la hotte. Enlever la fixation de la hotte en enlevant les deux vis d'expédition. Marquer la ligne centrale du montant.
4. Repérer un montant d'un côté ou de l'autre de la ligne centrale de la plaque de cuisson pour utiliser avec le montant en bois tel qu'il est illustré à la figure 3.
5. Aligner le haut du montant en bois le long de la ligne horizontale dessinée à l'étape 1. Aligner les lignes centrales du montant en bois et de la plaque de cuisson.
6. Percer un trou 1/8 po de 3 po de profondeur dans le montant à travers le montant en bois, le placoplâtre et dans le montant du mur.
7. Utiliser 2 ou 3 vis (n° 14 x 3 po) pour fixer la fixation au mur, comme à la figure 3. Pour le support des hottes plus longues, utiliser trois montants. Fraiser les têtes pour empêcher l'interférence avec la hotte.
8. Sur le montant en bois, marquer les emplacements utilisés pour suspendre la hotte selon la figure 4 (page suivante).

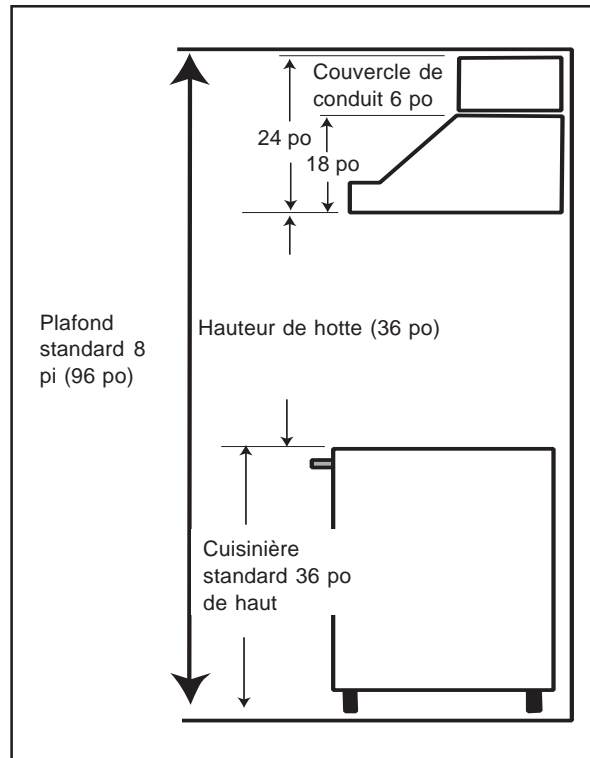


Figure 2 - installation de hotte typique

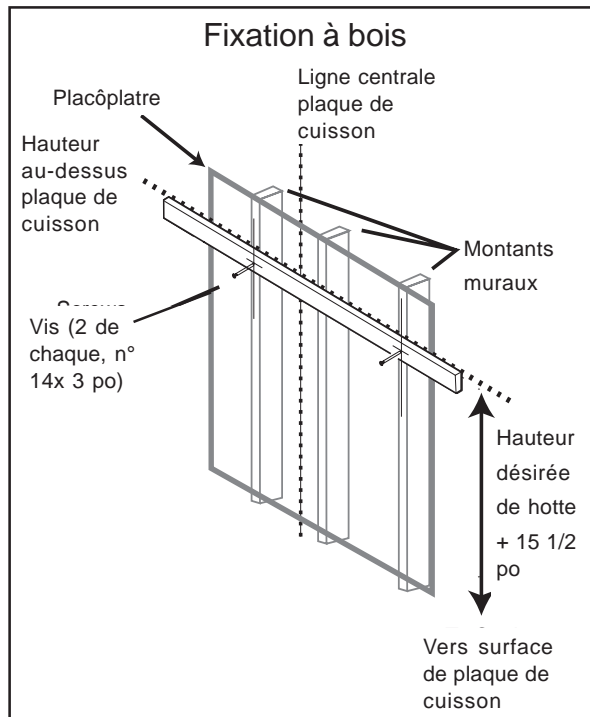


Figure 3 - Installation des fixations à bois

9. Percer un trou de 1/8 po à travers le montant en bois et le placoplâtre. Ces vis (n° 8 x 5/8 po) n'ont pas besoin d'aller jusqu'aux montants.
10. Percer un trou de 1/16 po pour les deux vis (n° 8 x 5/8 po) dans le montant en bois en laissant 1/4 po de chaque vis exposé pour suspendre la hotte.

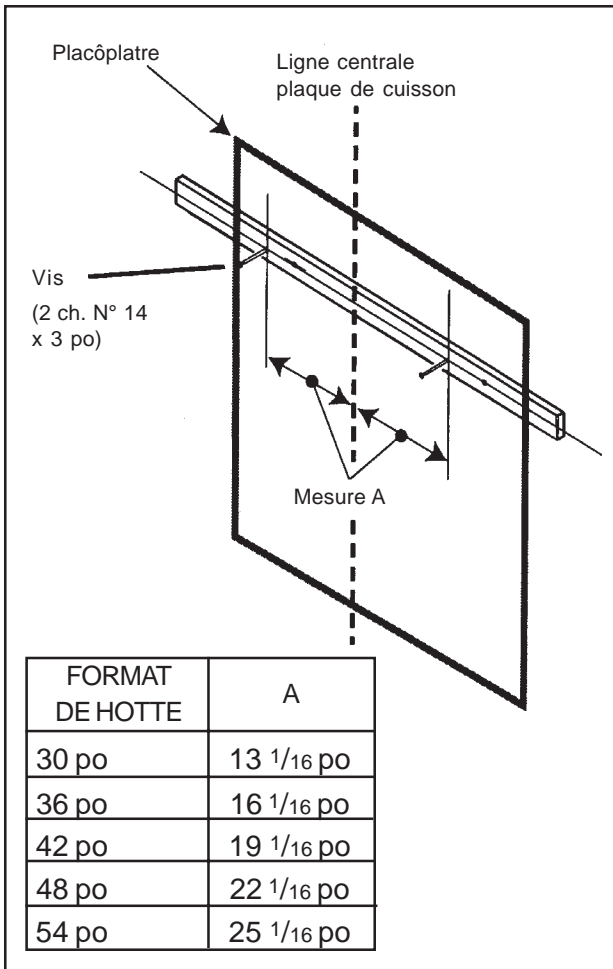


Figure 4

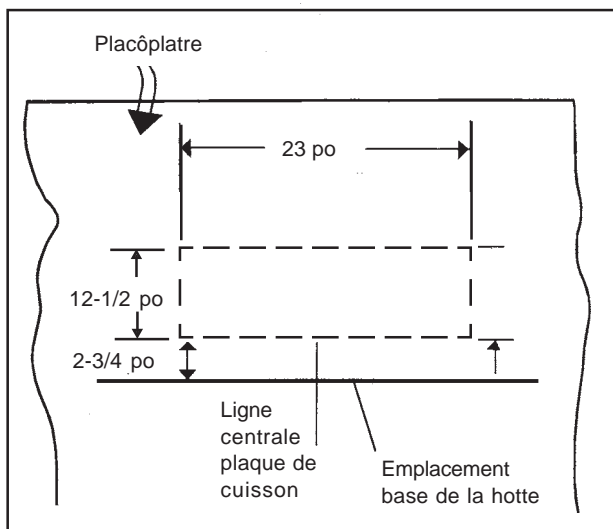


Figure 5

**Remarque :** La ligne pointillée indique la découpe nécessaire pour le dégagement de la transition.

11. Direction de la décharge : La décharge horizontale requiert une découpe murale, comme à la figure 5, pour assurer un dégagement pour la transition. L'emplacement de la découpe est déterminé par la hauteur d'installation de la hotte.

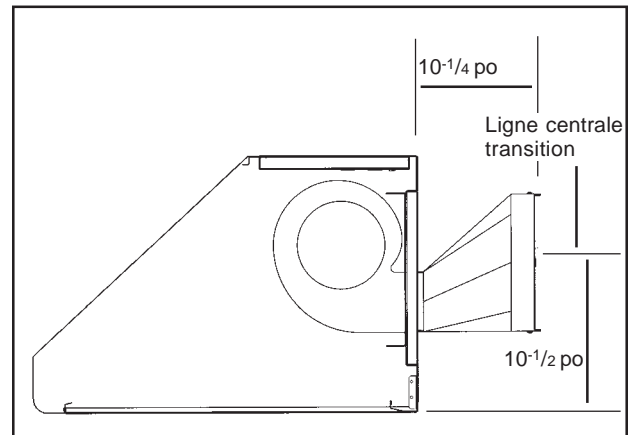


Figure 6

La transition fournie avec la hotte se branche sur un conduit rond 10 po standard. La figure 6 montre la transition branchée sur la décharge horizontale.

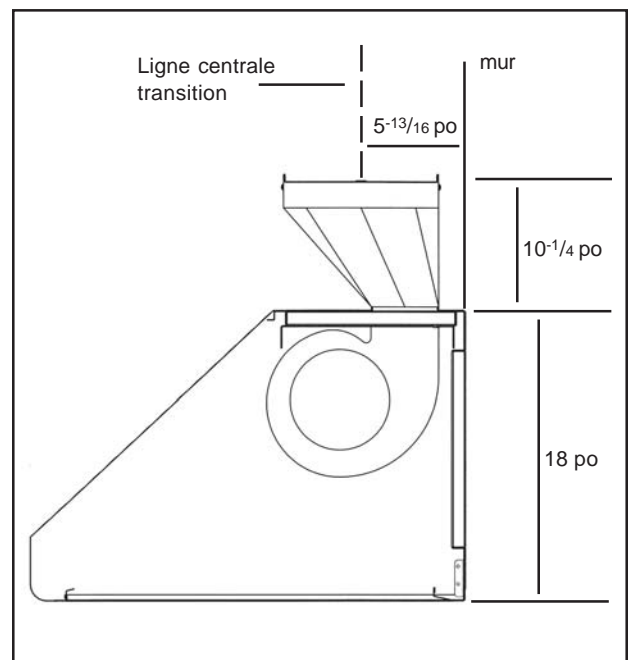


Figure 7

La figure 7 montre la hotte configurée pour une décharge verticale. Les installations utilisant ce type de méthode requièrent une découpe dans le plafond pour accommoder un conduit de 10 po et un conduit de 1/2 po pour l'alimentation de l'appareil.

Des couvercles de conduits, vendus séparément, sont disponibles pour couvrir l'espace entre le haut de la hotte et le plafond. (Voir page 3).

- Avant de suspendre la hotte, installer la transition selon la figure 6. Fixer la transition avec 2 vis (n° 8 x 3/8 po, à métal, fournies) et apposer du ruban adhésif selon les codes applicables.

**Remarque :** les vis ne doivent pas nuire au fonctionnement du registre

- Déposer la hotte sur les vis dans la fixation en bois. Utiliser les trous marqués «I» à la figure 8. S'assurer que les fixations en bois s'ajustent dans le retrait au dos de la hotte.
- Retirer les trous à estamper.
- Serrer les vis dans les trous. Vérifier si la hotte est de niveau, régler au besoin.
- Depuis l'intérieur de la hotte, insérer les vis (n° 8 x 5/8 po) par les trous de la hotte dans les fixations en bois. Voir les trous marqués J à la figure 8.
- Connecter conduit supplémentaire.

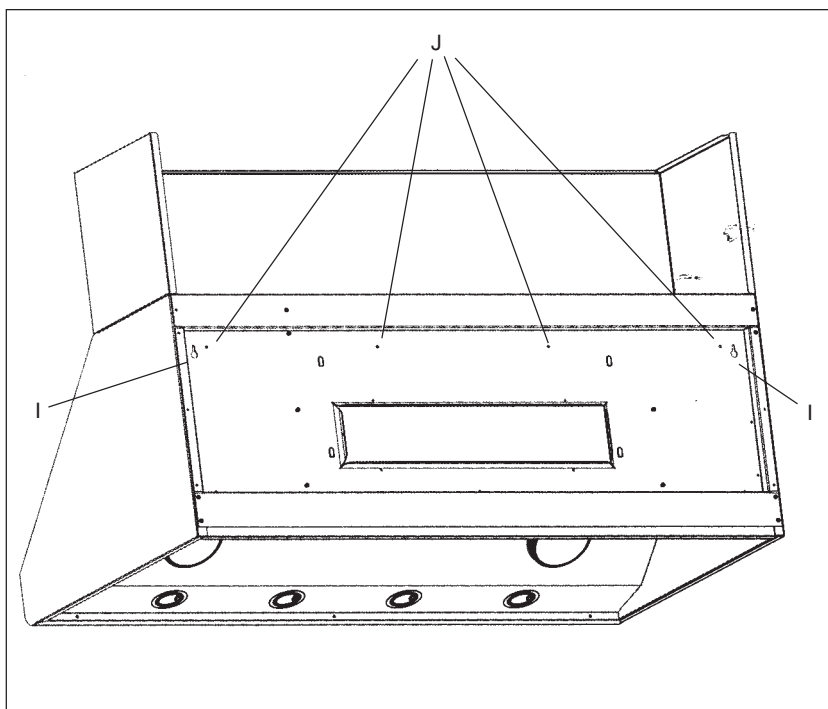


Figure 8

**Remarque sur l'installation :** Si les montants muraux sont à moins de 8 po de la ligne centrale, couper le montant en angle pour éviter toute interférence.

## Assemblage et installation des couvercles de conduit :

Des couvercles de conduit optionnels montrés à la figure 9 peuvent être utilisés pour combler l'espace entre la hotte et le plafond. Des couvercles de conduit 6 po ou 12 po sont disponibles et peuvent être commandés séparément.

- Si plusieurs couvercles de conduit sont utilisés, connecter les pièces ensemble à l'aide de vis à métal fournies avec le couvercle de conduit.
- Fixer le(s) conduit(s) de couvercle à la hotte à l'aide de vis à métal, comme à la figure 9.
- Depuis l'intérieur de la hotte, insérer les vis (n° 8 x 5/8 po fournies) par les trous L, une de chaque côté et quatre le long du devant, dans le bas de l'armoire.

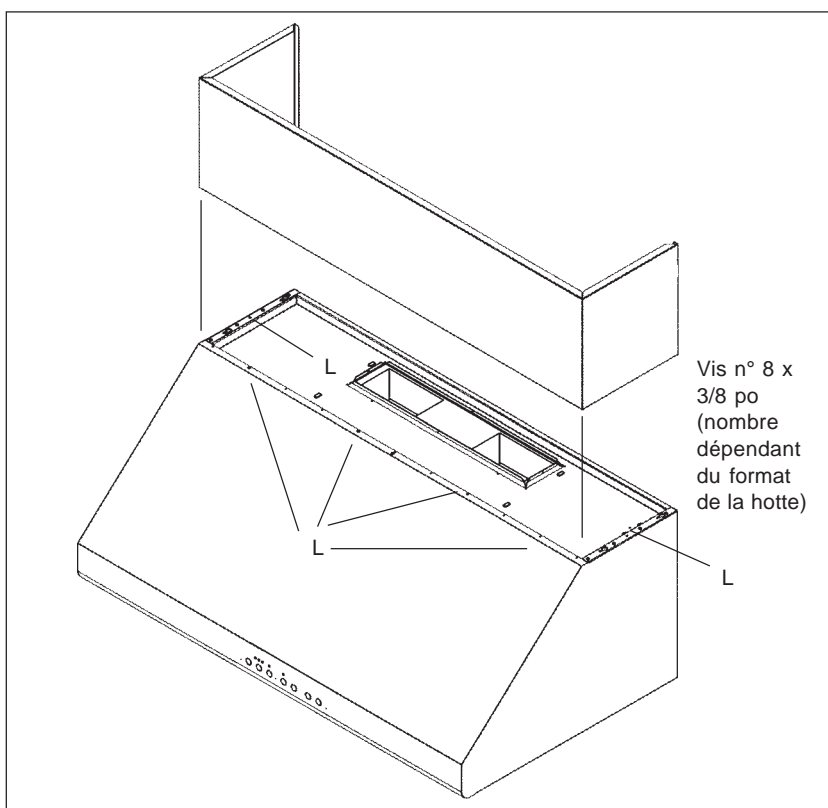


Figure 9

## Installation de l'armoire

La hotte peut être installée sous l'armoire en supportant la hotte par le haut.

**Remarque : La structure de l'armoire doit être jointe aux montants du mur afin de supporter le poids de la hotte.**

La figure 10 montre les quatre trous de vis (K) utilisés pour installer la hotte au bas de l'armoire.

S'assurer que les deux pastilles enlevables ont été retirées.

1. À la base de l'armoire, percer un trou de 1/8 po (voir dimension A à la figure 10 et dans le tableau). Visser quatre vis n° 10 x 1 po (fournies avec la hotte), laissant 1/4 po exposé.
2. Si la hotte est installée pour une décharge verticale, utiliser la figure 11 pour créer les trous de dégagement pour le passage de la transition et du conduit. La dimension B de la figure 11 dépend du modèle de la hotte à être installée et peut être située dans le tableau à droite. (Voir dimension B à la figure 11 et au tableau)
3. Pour la décharge horizontale, utiliser la figure 5 pour la géométrie de la découpe requise pour le dégagement de la transition.
4. Suspendre la hotte sur les vis et visser de façon sécuritaire.
5. Depuis l'intérieur de la hotte, insérer les vis fournies. Percer par les trous (utiliser les vis n° 8 x 5/8 po fournies), une de chaque côté et quatre le long du devant, dans le bas de l'armoire. Voir les trous de vis étiquetées «L», figure 10.

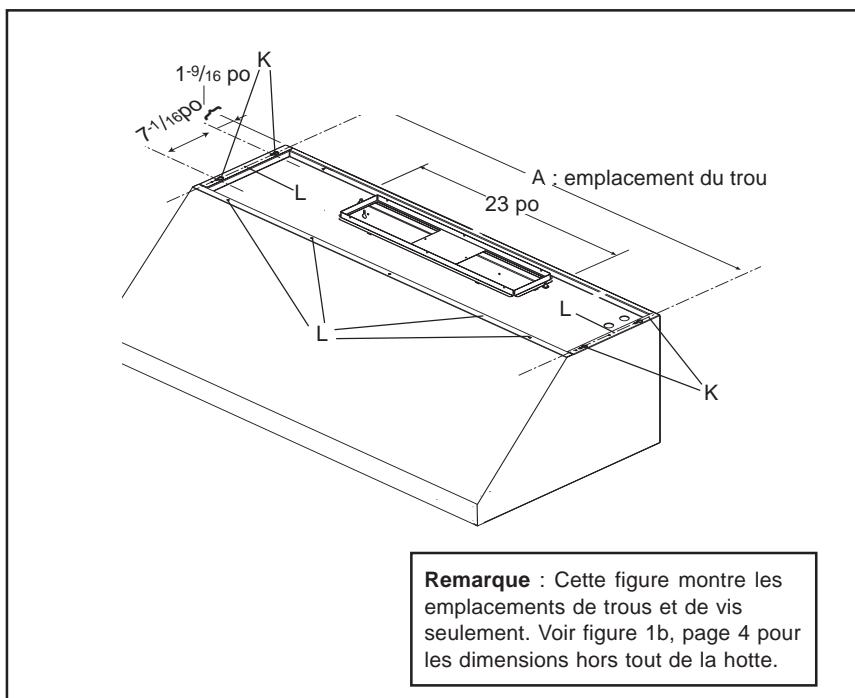


Figure 10 : Emplacement du trou et de la vis.

### Dimensions du trou de la ligne centrale pour les figures 10 et 11.

FORMAT DE HOTTE	A (Fig 10) Trou	B (Fig 11) Trou de conduit
30 po	29 <sup>-1/16</sup> po	13 <sup>-7/16</sup> po
36 po	35 <sup>-1/16</sup> po	16 <sup>-7/16</sup> po
42 po	41 <sup>-1/16</sup> po	19 <sup>-7/16</sup> po
48 po	47 <sup>-1/16</sup> po	22 <sup>-7/16</sup> po
54 po	53 <sup>-1/16</sup> po	25 <sup>-7/16</sup> po

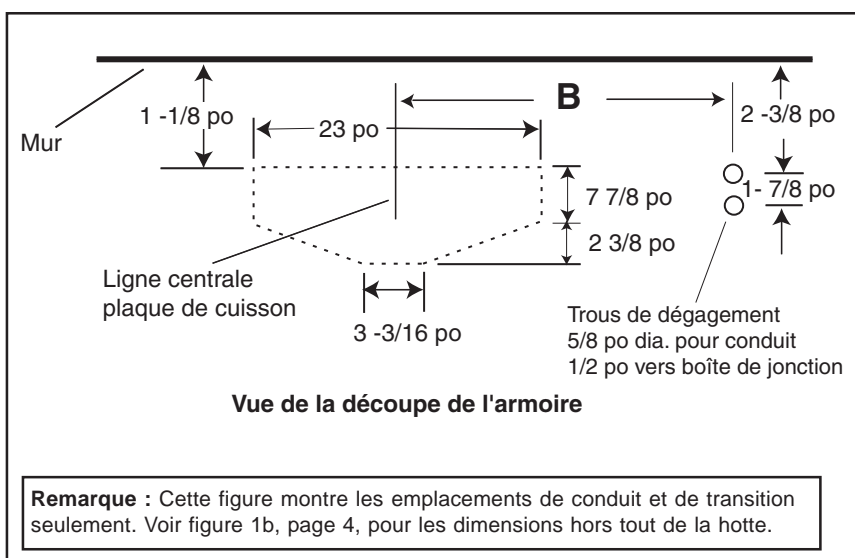


Figure 11 : emplacement du conduit et de la transition

# Installation de la soufflerie intégrée VTN1030C

La hotte peut être installée avec la soufflerie VTN1030C.

## Préparation de la soufflerie

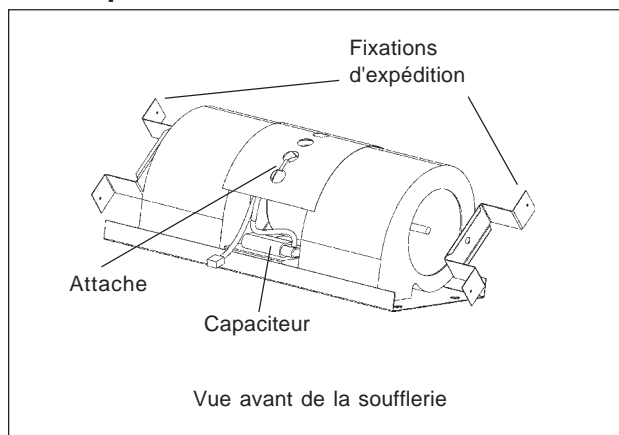


Figure 12a

1. **Enlever les attaches d'expédition gauche et droite et jeter.**
2. Couper l'attache de fil montrée à la figure 12a. Repérer le faisceau de câblage avec le connecteur à 6 broches Molex. Acheminer le faisceau de câblage par l'arrière de la soufflerie, comme à la figure 12b, ci-dessous.
3. Rattacher le faisceau de fils capaciteur avec la nouvelle attache de fil (fournie) au même endroit à l'avant.

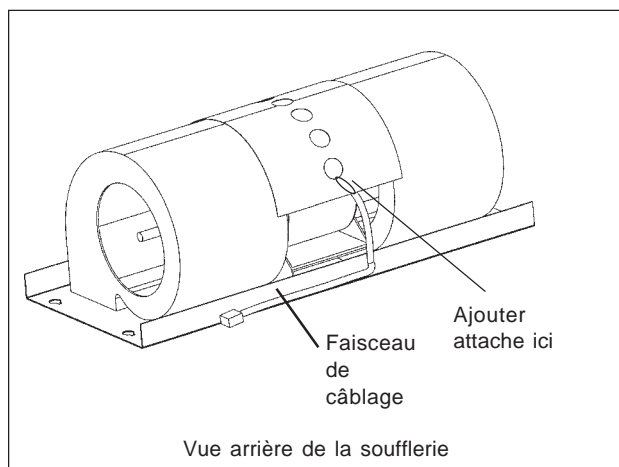


Figure 12b

4. Attacher le faisceau de fils avec connecteur Molex à 6 broches au boîtier comme à la figure 12b avec une attache de fil (fournie).

## Installer la soufflerie dans la hotte:

1. La soufflerie est fixée à la hotte à l'aide des montants soudés fournis avec la plaque de fixation.
2. La figure 12c montre les montants soudés à l'endroit B pour la décharge (arrière) horizontale. Mettre 4 écrous n° 10 x 24 sur les montants soudés. Pour la décharge verticale, mettre les écrous sur les montants au haut de la plaque de fixation.

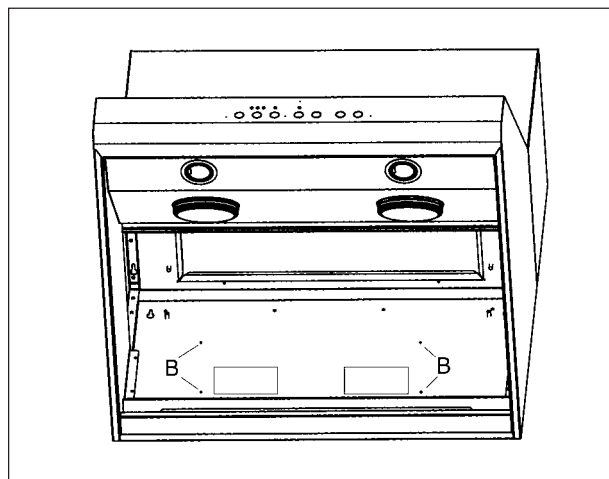


Figure 12c

3. Guider la plaque de fixation du moteur sur les écrous et serrer de façon sécuritaire la soufflerie à la hotte.
4. Fixer deux vis additionnelles, figure 12d.

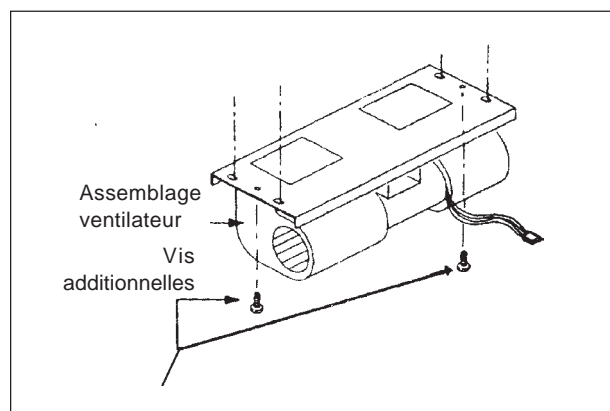


Figure 12d

### **ATTENTION:**

S'assurer que les deux vis additionnelles, figure 12d, sont installées et adéquatement serrées avant de continuer.

# Instructions de câblage

## Décharge verticale

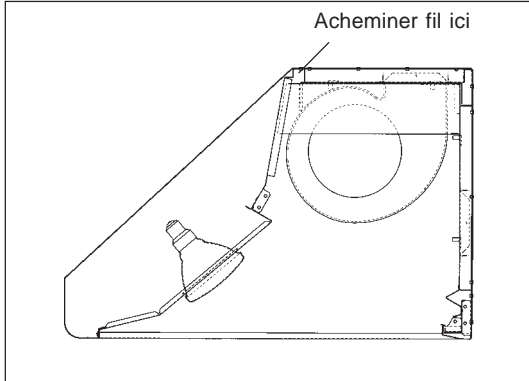


Figure 12e

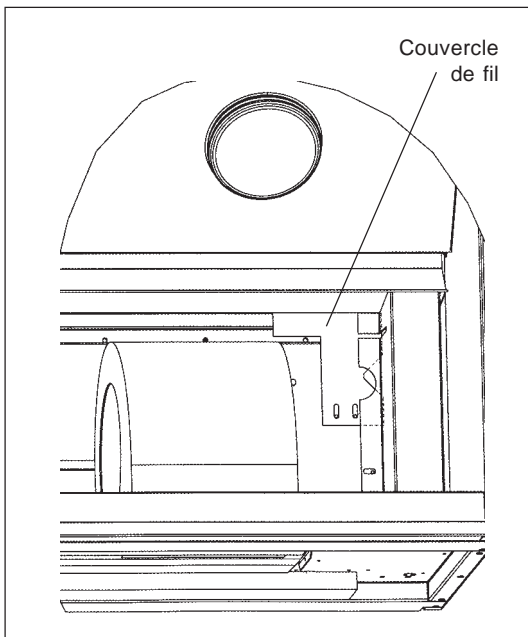


Figure 12f

Installer le couvercle comme la figure 12F. Le modèle 30 po de large n'a pas besoin de couvercle de fil.

## Décharge horizontale

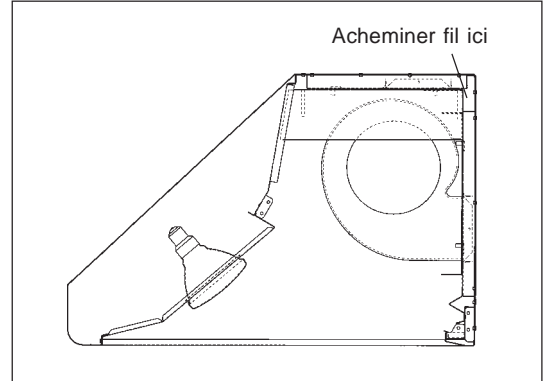


Figure 12g

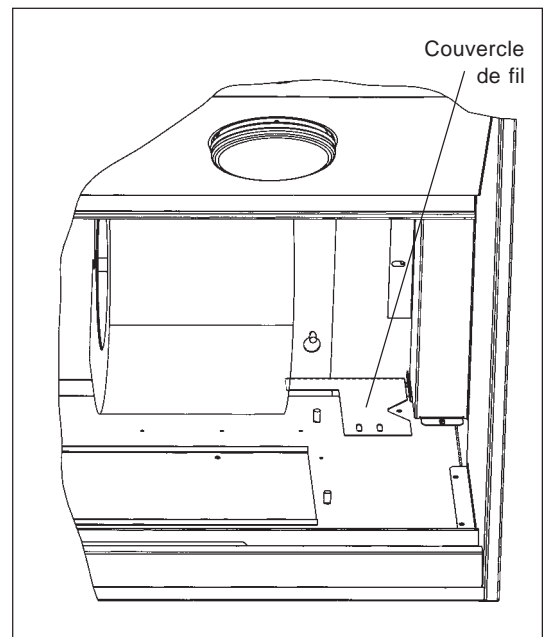


Figure 12h

Installer le couvercle comme à la figure 12H. Le modèle 30 po de large n'a pas besoin de couvercle de fil.





## AVERTISSEMENT

Fermer l'électricité au panneau de service avant d'effectuer le câblage de l'appareil. (Voir instructions de sécurité, page 1).

### Câblage de la hotte avec moteur intégré

1. Enlever le couvercle de la boîte de jonction.
2. Brancher le connecteur à fiche Molex du VTN1030C sur le connecteur à l'intérieur de la hotte comme à la figure 13.
3. Installer un connecteur de conduit 1/2 po dans la boîte de jonction.

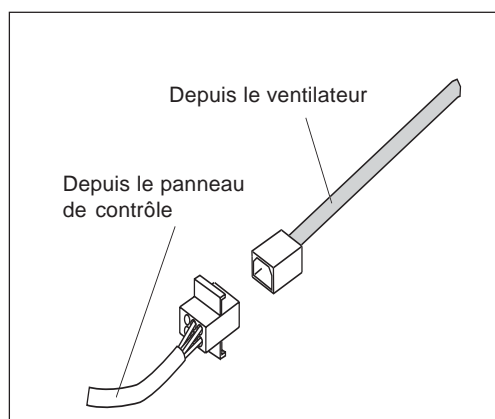


Figure 13

4. Acheminer les fils noir, blanc et vert (n° 12 AWG) dans le conduit 1/2 po depuis l'alimentation à la boîte de jonction.
5. Brancher les fils d'alimentation sur les fils de la hotte dans l'ordre suivant : noir avec noir, blanc avec blanc et vert sur la vis de mise à la terre verte sur le châssis. Utiliser des écrous à ailettes de type à ressort. (Des écrous manquants ou perdus doivent être remplacés seulement par : écrou métallique de type à ressort, coté pour un minimum de (2) fils n° 18ga et maximum de (4) fils n° 14ga, UL et ACNOR coté à 600 V et 302 deg.
6. Fermer le couvercle de la boîte de jonction. Vérifier que toutes les ampoules sont sécuritaires dans leurs douilles. Replacer les filtres comme il est décrit dans le guide d'entretien et d'utilisation. Mettre en circuit au panneau de service. Vérifier le fonctionnement de la hotte.

### Installation de la soufflerie à distance

Les hottes PH sont conçues pour fonctionner avec les souffleries VTR630D, VTR1030D, VTR1330E, ou VTR1530D à distance. Pour les instructions d'installation, voir les instructions fournies avec l'appareil de la soufflerie.

### Câblage de la hotte avec une soufflerie à distance

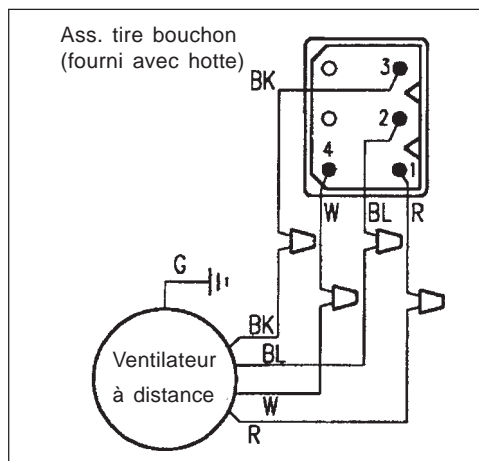


Figure 14

1. Enlever le couvercle de la boîte de jonction.
2. Installer un connecteur de conduit 1/2 po.
3. Acheminer les fils noir, blanc et vert (n° 12 AWG) dans le conduit 1/2 po depuis l'alimentation de la boîte de jonction.
4. Brancher les fils d'alimentation sur les fils de la hotte comme suit : noir avec noir, blanc avec blanc et vert sur la vis de mise à la terre verte sur le châssis. Utiliser des écrous à ailettes de type à ressort. (Des écrous manquants ou perdus doivent être remplacés seulement par : écrou métallique de type à ressort, coté pour un minimum de (2) fils n° 18ga et maximum de (4) fils n° 14ga, UL et ACNOR coté à 600 V et 302 deg.
5. Brancher le «tire-bouchon» sur le connecteur à l'intérieur de la boîte de jonction.
6. Acheminer les 5 fils (n° 14 AWG) dans le conduit 1/2 po depuis la soufflerie à distance au second connecteur de conduit.
7. Brancher le ventilateur à distance sur les fils «tire-bouchon» (étape 6) comme à la figure 14 en utilisant les écrous de fils fournis. Brancher le fil vert (mise à la terre) de la soufflerie à distance sur la vis de mise à la terre dans la boîte de jonction.
8. Fermer le couvercle de la boîte de jonction. Vérifier que toutes les ampoules sont sécuritaires dans leurs douilles. Installer les filtres. Mettre en circuit au panneau de service et vérifier le fonctionnement des ampoules et de la soufflerie à distance comme il est indiqué dans le guide d'utilisation et d'entretien.



# INSTRUCCIONES IMPORTANTES DE SEGURIDAD

APROBADO PARA TODAS LAS UNIDADES RESIDENCIALES  
ÚNICAMENTE PARA USO RESIDENCIAL

POR FAVOR LEA COMPLETAMENTE LAS INSTRUCCIONES ANTES DE PROCEDER.

**IMPORTANTE:** Guarde estas instrucciones para el uso del Inspector Local de Electricidad.

**INSTALADOR:** Por favor deje estas instrucciones con esta unidad para el propietario.

**PROPIETARIO:** Por favor retenga estas instrucciones para referencia futura.



## ADVERTENCIA

Si la información en este manual no es seguida exactamente, puede resultar en incendio o choque eléctrico, provocando daños a su propiedad o daños personales. No intente reparar o reemplazar ninguna parte de la unidad a menos que sea específicamente recomendado en los manuales. Una instalación, servicio o mantenimiento inapropiados puede producir lesiones o daños a su propiedad. Refiérase a este manual para instrucciones. Todo el resto de los servicios deberá ser realizado por un técnico calificado.

La unidad es pesada y requiere de por lo menos dos personas o equipo apropiado para ser movida.

Superficies no visibles pueden tener esquinas filosas.

Tenga cuidado cuando esté tocando detrás o debajo de la unidad.

Esta unidad cumple con uno o más de los siguientes Estándares:

- UL 858, La norma para la seguridad de estufas electrodomésticas
- UL 923, La norma para aparatos (hornos) de microondas
- UL 507, La norma para la seguridad de ventiladores eléctricos
- ANSI Z21.1, La norma americana nacional para aparatos domésticos de cocina que funcionan con gas
- CAN/CSA-C22.2 No. 113-M1984 Ventiladores
- CAN/CSA-C22.2 No. 61-M89 Estufas domésticas

Es responsabilidad del dueño de la unidad y del instalador al determinar si aplican requerimientos legales y/o estándares adicionales aplican para instalaciones específicas.



## ADVERTENCIA DE SEGURIDAD

Apague el circuito de alimentación en el panel de servicio y bloquee el panel antes de instalar este aparato.

REQUERIMIENTO: 120 VAC, 60 Hz 20 A



## ADVERTENCIA

Para reducir el riesgo de un incendio, sólo utilice conductos de metal.

Si es requerido por del Código Eléctrico Nacional (o Código Eléctrico Canadiense), esta unidad debe ser instalada en un circuito ramificado separado.

Instalador - muestre al propietario la localización de interruptor del circuito o fusible. Márquelo para una referencia fácil.

Retire toda la cinta y material de empaque antes de utilizar la unidad. Destruya el material de empaque posterior a desempacar la unidad. Nunca permita que los niños jueguen con material de empaque.

Nunca modifique o altere la construcción de la unidad. Por ejemplo, no retire las patas de nivelación, paneles, cubiertas de alambres o los tornillos y soportes que evitan que la unidad se incline.

## INSTRUCCIONES DE CONEXIÓN A TIERRA

Esta unidad debe estar conectada a tierra. En el evento de un corto circuito, la tierra reduce el riesgo de un choque eléctrico al proveer de un cable de salida para la corriente eléctrica.

Esta unidad está equipada con un cable que tiene alambre a tierra con un enchufe a tierra. El enchufe debe conectarse a una salida que está apropiadamente instalada y aterrizada.

# INSTRUCCIONES IMPORTANTES DE SEGURIDAD

## ADVERTENCIA

La conexión inapropiada a tierra puede resultar en riesgo de choque eléctrico. Consulte a un electricista calificado si las instrucciones de conexión a tierra no son completamente entendidas, o si existe alguna duda si la unidad quedó conectada a tierra correctamente. No utilice un cable de extensión. Si el cable de corriente es demasiado corto, pida a un electricista calificado que instale otro conector cerca de la unidad.

Para reducir el riesgo de incendio o choque eléctrico, no utilice este ventilador con ningún aparato de estado sólido para el control de velocidad.

**PARA LA REDUCCIÓN DEL RIESGO DE INCENDIO, COQUE ELÉCTRICO Y LESIONES A PERSONAS:**

El ensamblado de este ventilador debe ser instalado con el soplador modelo(s) VTN1030C, VTR630D, VTR1030D, VTR1330E, o VTR1530D. Otros sopladores para ventilador no pueden ser substituidos.

a. Utilice esta unidad únicamente en la forma intencionada por el fabricante. Si tiene preguntas contacte al fabricante (Atención al Cliente Thermador en 800/735-4328).

b. **Antes de dar servicio o efectuar limpieza a la unidad, ponga el interruptor del panel de servicio en APAGADO y bloquee los medios para prevenir que la corriente sea encendida accidentalmente.** Cuando los medios de servicio para desconectar no pueden ser bloqueados, Sujete con seguridad un aviso

de advertencia prominente, como una etiqueta al panel de servicio.

c. El trabajo de instalación y el cableado eléctrico debe ser realizado por una persona calificada de acuerdo con todos los códigos y estándares aplicables. Incluyendo construcción clasificada en incendio.

d. El suficiente aire es necesario para una combustión apropiada y el escape de los gases a través del tubo (chimenea) o un equipo quemador de combustible para prevenir retorno de corriente. Siga la instrucciones del fabricante del equipo de calentamiento, así como los estándares de seguridad como los publicados por la Asociación Nacional de Protección contra Incendios (NFPA), y (ASHRAE) la Sociedad Americana para Ingenieros de Calefacción, Refrigeración y Aire Acondicionado, y las autoridades de códigos locales.

e. Cuando corte o efectúe trabajos con taladro en las paredes o techos, no dañe alambrado eléctrico y otras utilerías no visibles.

f. Ventiladores con ductos siempre deben ser ventilados al exterior.

g. Para dejar escapar el aire apropiadamente, asegúrese de que los ductos sean ventilados al exterior. No ventile el aire de escape a espacios dentro de paredes, techos, áticos, espacios de arrastre, o cocheras.

h. Antes de conectar un cable eléctrico, asegúrese que todos los controles estén en la posición de APAGADO.

## CUIDADO

Sólo para uso de ventilación general. NO LO utilice para exhastar materiales peligrosos o explosivos o vapor.

## CUIDADO

Ventile la unidad hacia afuera del edificio.

## Partes Incluidas con su Campana

- Toldo de la Campana
- Focos de halógeno de 12 volts, instalados
- Filtros, 2, 3 o 4 dependiendo del modelo y tamaño
- Transición Metálica con amortiguador de contracorriente instalado
- Sujetadores
- Adaptador de Soplante Remoto ("rabillo")
- Tira de Madera para el Soporte de la Campana
- Tuercas para Cables
- 2 lámparas de calentamiento 175W PAR 38 o 2 lámparas de calentamiento 250W PAR 40
- Instrucciones de Instalación/Cuidado y Uso
- Tarjeta de Registro

## Partes No Incluidas con su Campana

- Cinta de Electricista
- Conducto de 1/2"
- Ventilador - Se puede instalar la campana con los modelos de ventilador VTN1030C, VTR630D, VTR1030D, VTR1330E, o VTR1530D
- Cubierta opcional para el conducto, altura 6" DC\*\*US o 12" DCT\*\*US, se tiene que comprar por separado. (\*\* = ancho de la campana).
- Control Remoto Opcional (se debe pedir por separado)

---

## CONSIDERACIONES ANTES DE INSTALAR LA CAMPANA

1. Para tener el escape de aire más eficiente, utilice un conducto recto o la menor cantidad de codos posibles.
2. No utilice conductos flexibles.
3. Las instalaciones en CLIMA FRÍO debe contar con un amortiguador extra para la contracorriente para minimizar el flujo de retorno del aire fría y una barrera térmica no metálica para minimizar la conducción de las temperaturas externas como parte del trabajo de conductos. El amortiguador debe colocarse en el lado del aire fría de la barrera térmica. La barrera debe estar lo más cerca posible al lugar donde los conductos entran en la parte caliente de la casa.
4. La altura de instalación de una campana sobre una parrilla o estufa puede variar. Para obtener la altura de instalación necesaria sobre una Parrilla o Estufa Profesional Thermador, consulte el manual de instalación de la unidad.

Por lo tanto, Thermador recomienda instalar la campana a una distancia minimum de 36 pulgadas (91 cm) arriba de la mesa de trabajo.

- \* Para instalaciones de asado en el interior, Thermador recomienda una altura mínima de 36" (91,4 cm) y sólo sopladores remotos (VTR1030D, VTR1330E, o VTR1530D).
5. Los sopladores remotos requieren de una instalación con cinco hilos.
  6. Aire de Relleno: Tal vez los códigos locales para regular las construcciones requieren el uso de sistemas de aire de relleno cuando se están usando sistemas de ventilación con conductos más grandes que los CFM del movimiento de aire especificados. Los CFM especificados varían de lugar a lugar. Consulte a su experto HVAC para los requerimientos específicos en su área.
  7. Consulte las instrucciones de instalación del control remoto si aplica.

# Instalación del Aparato



## **CUIDADO:**

Ventile la unidad hacia afuera del edificio.

Se puede montar la campana en una pared o en forma suspendida de un gabinete. Con cualquiera de estos dos métodos se puede instalar la descarga vertical u horizontal.

**Dirección de la Descarga:** La campana viene preparada para la descarga vertical. Para cambiar a la descarga horizontal, simplemente cambie la cubierta de descarga que se muestra en la Figura 1 a la parte superior de la campana. Cuatro tornillos mantienen en su lugar a la placa.

**Conjunto de Transición:** La transición incluida es instalada en la parte superior o trasera de la campana dependiendo de la dirección de descarga.

1. Alinee los orificios de montaje en la base de transición con los orificios de montaje en la brida de 1/2" que se localiza en la parte superior o trasera de la campana dependiendo de la dirección de descarga.
2. Fije la transición a la campana utilizando dos (2) tornillos de chapa #8 x 3/8 (incluidos con la campana).
3. Selle la conexión entre la transición y la campana con cinta para conductos.
4. Quite la cinta que mantiene cerrado el amortiguador.

Vea la Figura 1b para las dimensiones generales de la campana.

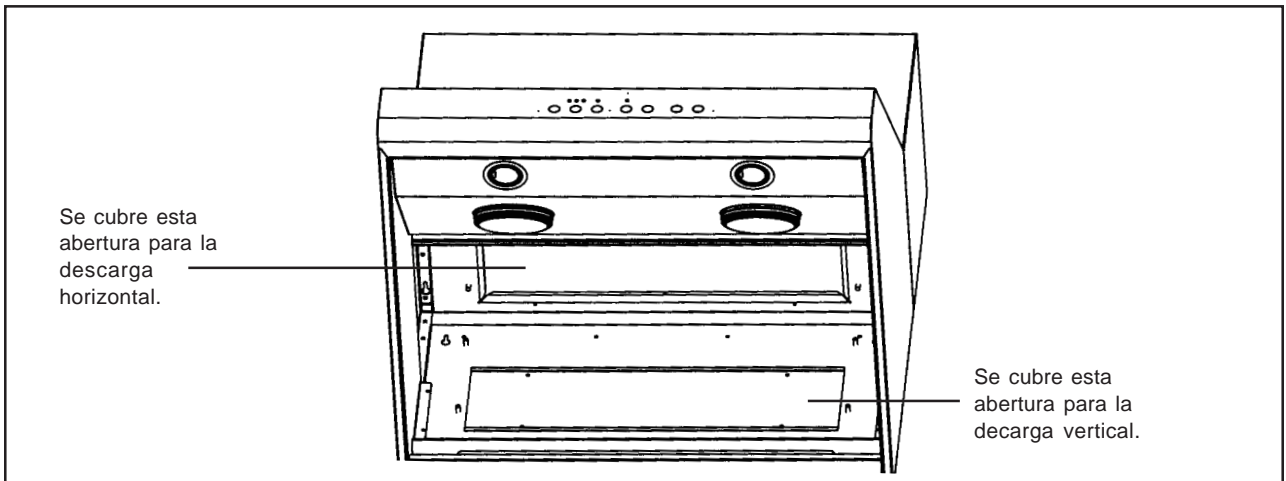


Figura 1a: Dirección de descarga

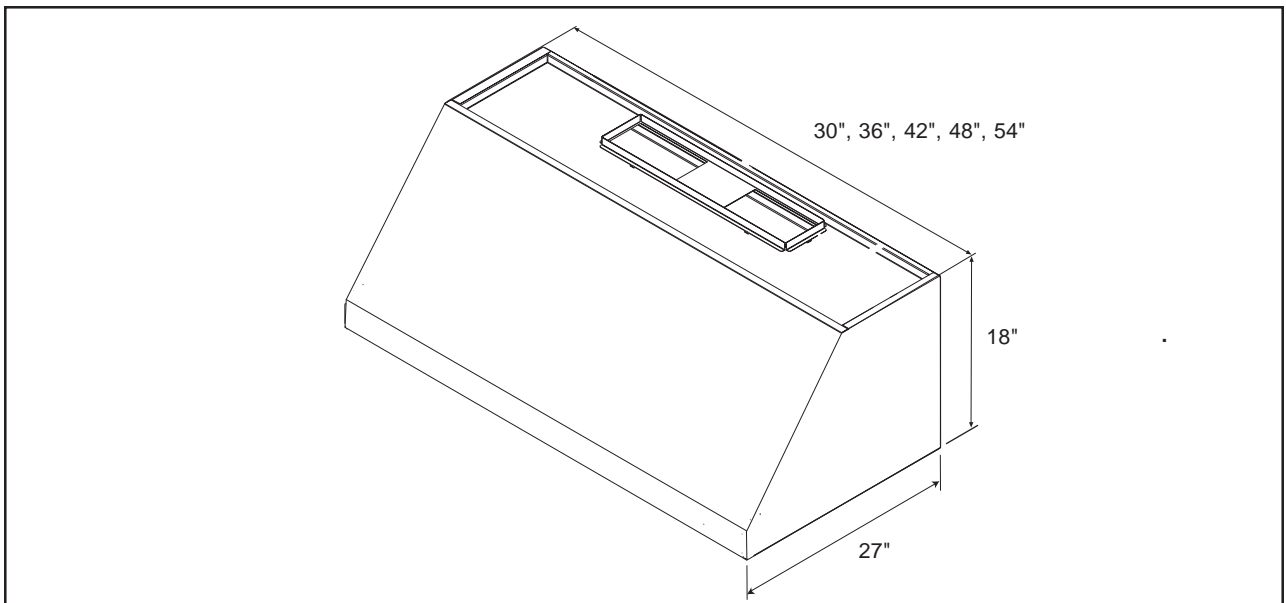


Figura 1b: Dimensiones generales

\* Varía según modelo.

**Nota:** Lea las instrucciones de instalación del control remoto antes de seguir utilizando este accesorio.

## Instalación con Montaje en Pared

Es cuestión de preferencia del usuario a qué altura desea instalar la campana. La Figura 2 muestra una instalación típica de la campana con una cubierta de conducto. Se usan las cubiertas de conductos de 6" y 12" para llenar el espacio entre la campana y el techo.

La altura de instalación que se muestra en la Figura 2 es de 36 pulgadas (91 cm). Se utilizó una cubierta de conducto de 6" en esta instalación. Agregue o quite cubiertas de conductos como sea apropiado para acomodar la altura de techo y la altura deseada de la campana. La campana soporta la estructura de la cubierta del conducto.

1. Después de haber determinado la altura de la instalación de la campana, dibuje una línea horizontal a una distancia arriba de la estufa igual a la altura deseada de instalación de la campana más 15 1/2" (39.4 cm). Esta línea es el lugar de montaje del soporte de madera que viene incluido con la campana.
2. Encuentre la línea central de la estufa. Dibuje una línea vertical a lo largo de la línea central hasta llegar a la línea horizontal dibujada en el paso 1.
3. Se fija la campana a la pared usando un soporte de madera que viene incluido. Quite el soporte de la campana quitando dos tornillos. Marque la línea de centro del soporte.
4. Localice un resalto en cada lado de la línea central de la estufa que se usa para montar el soporte de madera como se indica en la Figura 3.
5. Alinee la parte superior del soporte de madera a lo largo de la línea horizontal dibujada en el Paso 1. Alinee las líneas centrales del soporte y de la estufa.
6. Perfore dos orificios de 1/8" a una profundidad de 3" por resalto a través del soporte de madera, el muro de piedra en seco y en los resaltos de la pared.
7. Use cuatro 2 o 3 tornillos de campana (#14x3", vienen incluidos) para fijar el soporte a la pared como se indica en la Figura 3. Para soportar las campanas más largas, use seis tornillos de madera y tres resaltos, Avellana las cabezas para evitar la interferencia con la campana.
8. Marque los lugares en el soporte de madera que se usan para colgar la campana como se indica en la Figura 4 (página siguiente).

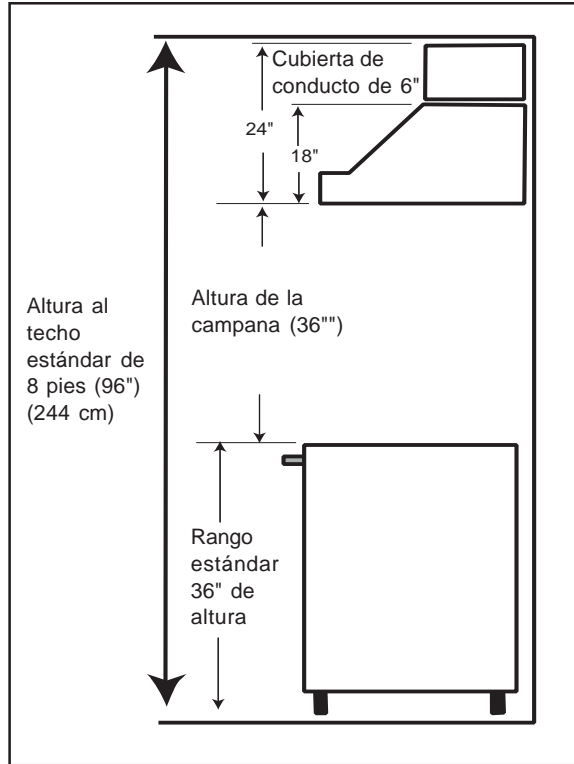


Figura 2 - Instalación típica de campana

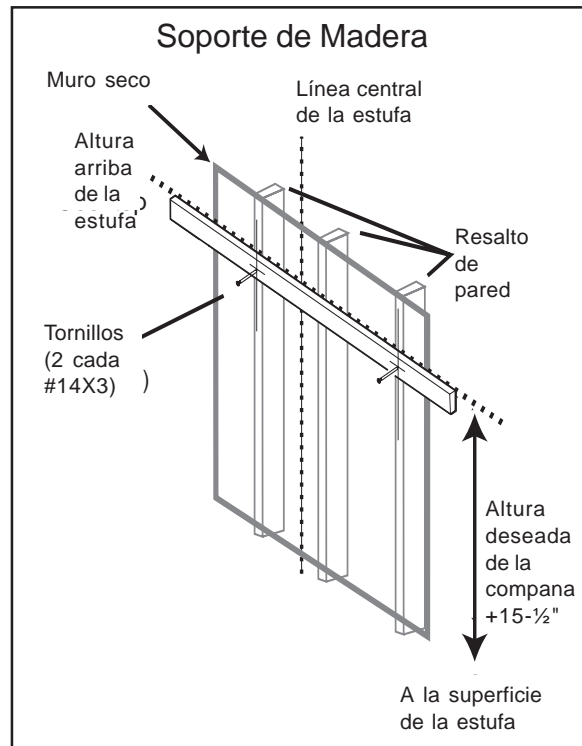


Figura 3 - Montando el soporte de madera

9. Perfore un orificio roscado de 1/8" a través del soporte de madera y el muro de piedra en seco. Estos tornillos (#8 x 5/8") no deben entrar en los resaltos.
10. Perfore un agujero de 1/16" para los 2 tornillos (#8 x 5/8") en el soporte de madera dejando expuesto 1/4" de cada tornillo para colgar la campana.



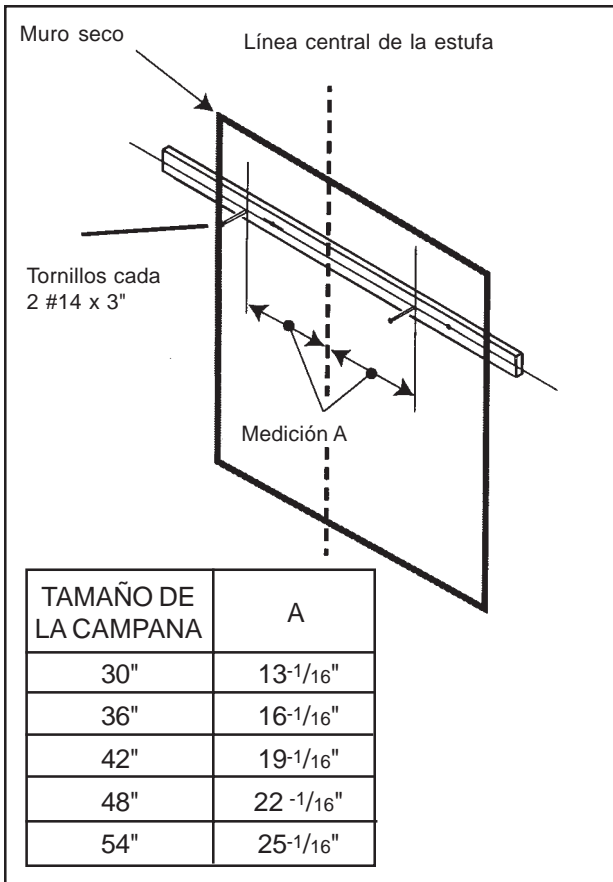


Figura 4

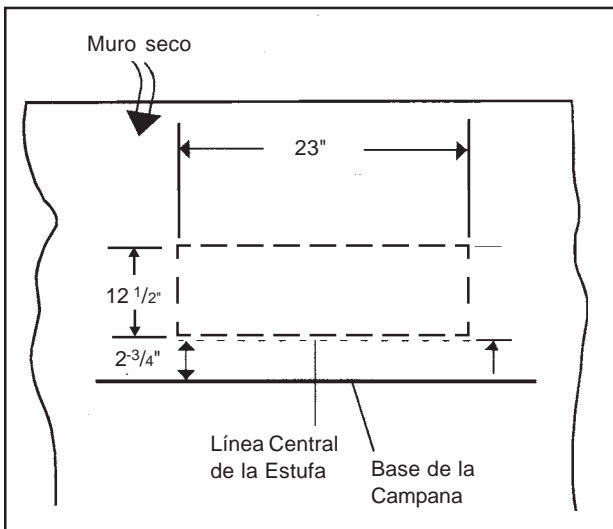


Figura 5

**Nota:** La línea punteada indica el recorte que se necesita para el espacio libre de la transición.

11. Dirección de Descarga: La descarga horizontal requiere un recorte de la pared como se indica en la Figura 5, para proporcionar un espacio libre para la transición. El lugar del recorte se determina por la altura de instalación de la campana.

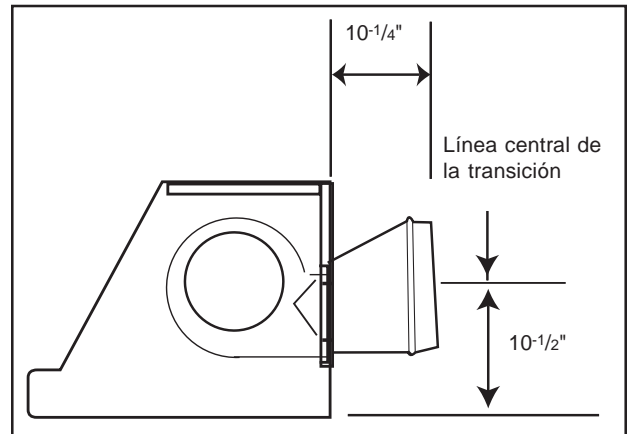


Figura 6

La transición incluida con la campana se conecta al conducto redondo estándar de 10 pulgadas. La Figura 6 muestra la transición conectada para la descarga horizontal.

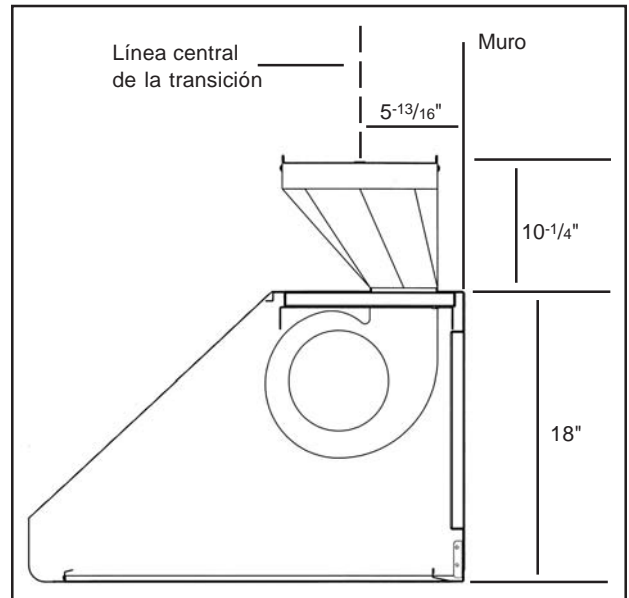


Figura 7

La Figura 7 muestra la campana configurada para una descarga vertical. Las instalaciones que usan este tipo de método requieren un recorte en el techo para acomodar el conducto de 10" y el conducto de alimentación de 1/2" a la unidad.

Las cubiertas de conducto que se venden por separado, están disponibles para cubrir el espacio entre la parte superior de la campana y el techo. (Vea la Página 3).



- Antes de colgar la campana, instale la transición según la Fig. 6. Fije la transición con 2 tornillos (tornillo autorroscante o de plancha #8 x 3/8, incluidos) y encíntela de acuerdo a todos los códigos aplicables.

**Nota:** los tornillos no deben interferir con la operación del regulador de tiro.

- Coloque la campana sobre los tornillos en el soporte de madera. Use los orificios marcados "I" en la Figura 8. Asegúrese que el soporte de madera quepa en la ranura en la parte trasera de la campana.
- Quite los agujeros ciegos.
- Apriete los tornillos en los orificios. Revise que la campana esté nivelada y ajústela si es necesario.
- Fije los tornillos (#8 x 5/8") a través de los agujeros en la campana al soporte de madera desde el interior de la campana. Vea los agujeros marcados J en la Figura 8.
- Conecte el conducto adicional.

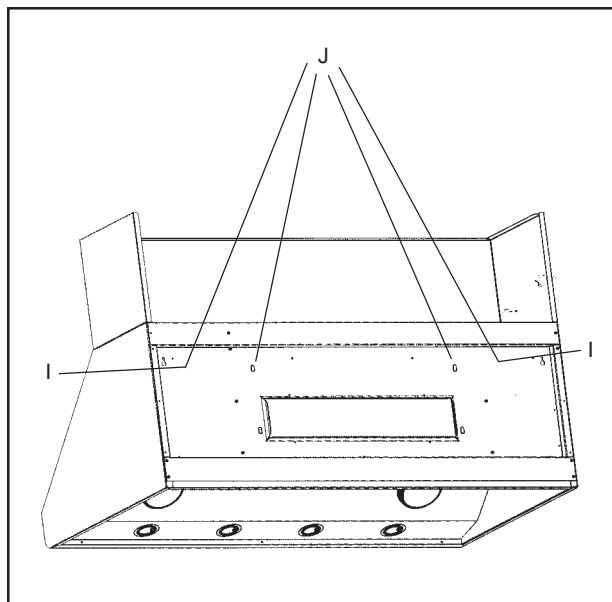


Figura 8

**Nota de Instalación:** Cuando los soportes de pared quedan a una distancia de 8" de la línea de centro, corte el soporte en un ángulo para evitar cualquier interferencia.

## Montaje e Instalación de las Cubiertas de Conducto:

Se pueden usar las cubiertas de conducto opcionales que se indican en la Figura 9 para llenar el espacio entre la campana y el techo en instalaciones con montaje en pared. Están disponibles cubiertas de conducto con una altura de 6" y 12" (15 y 13 cm) y se pueden pedir por separado.

- Cuando se usan múltiples cubiertas de conducto, conecte las piezas juntas usando tornillos de hojalata que vienen incluidos con las cubiertas de conducto.
- Fije la cubierta(s) de conducto a la campana usando los tornillos de hojalata como se indica en la Figura 9.
- Desde el interior de la campana, atornille a través de los agujeros L (#8 x 5/8", incluidos) en cada lado y cuatro a lo largo del frente, hasta el fondo de la cubierta de conducto.

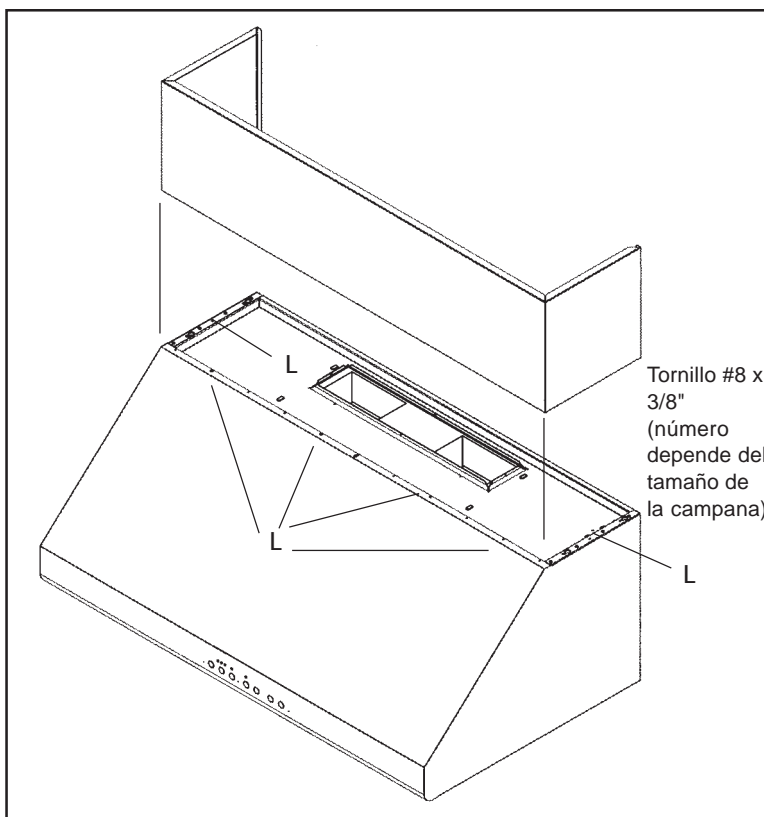


Figura 9

# Instalación con Gabinete

Se puede instalar la campana abajo de un gabinete que soporte la campana desde arriba.

**Nota: EL gabinete debe estar unido estructuralmente a los resaltos de pared para soportar el peso de la campana.**

La Figura 10 muestra los cuatro agujeros (K) de tornillo que se usan para fijar la campana a la parte inferior del gabinete.

Asegurase de que las dos tapas fueron quitadas.

1. Perfore agujeros para rosca interior de 1/8" en la base del gabinete (Vea la dimensión A en la Figura 10 y en la Tabla). Fije cuatro tornillos #10 x 1" (vienen incluidos con la campana), dejando 1/4" expuesto.
2. Cuando se instala la campana para la descarga vertical, use la Figura 11 para crear los orificios de espacio libre para el paso de la transición y del conducto. (See dimension B in Figure 11 and in Table).
3. Para la descarga horizontal, use la Figura 5 para la geometría del recorte que se requiere para el espacio libre de la transición.
4. Cuelgue la campana desde los tornillos y aprieta bien.
5. Inserte los tornillos que se incluyen desde la parte interna de la campana. Perfore agujeros (use los tornillos de #8 x 5/8" que se incluyen), en la parte inferior del gabinete, uno en cada lado y cuatro a lo largo del frente. Vea los agujeros para tornillos marcados "L" en la Figura 10.

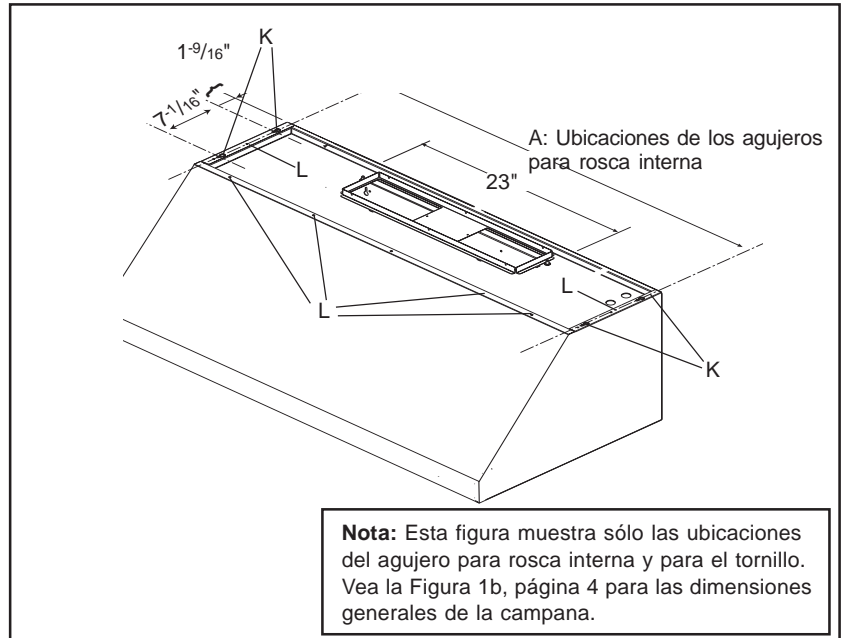


Figura 10: Ubicaciones de los agujeros para rosca interna y para los tornillos

## Dimensiones del agujero de la línea de centro para las Figuras 10 y 11

TAMAÑO DE LA CAMPANA	A (Fig 10) Agujeros para rosca interna	B (Fig 11) Agujero del conducto
30"	29-1/16"	13-7/16"
36"	35-1/16"	16-7/16"
42"	41-1/16"	19-7/16"
48"	47-1/16"	22-7/16"
54"	53-1/16"	25-7/16"

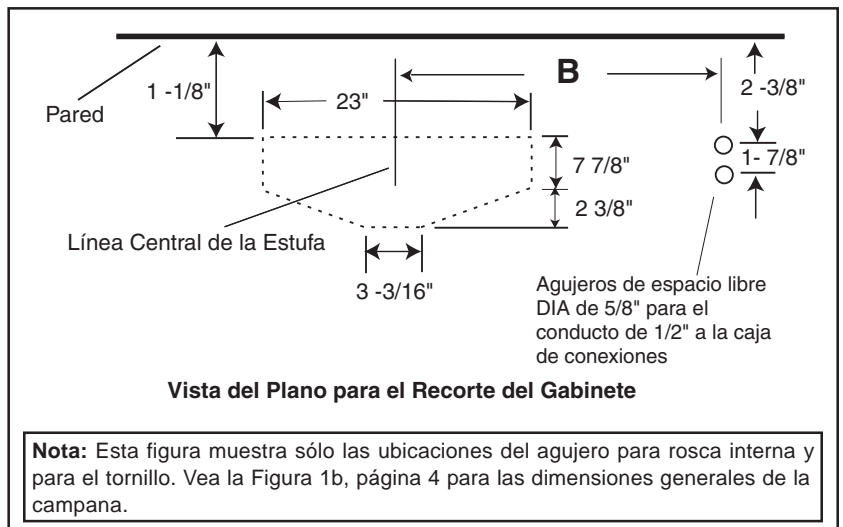


Figura 11: Ubicaciones de la transición y del conducto

# Instalar un Soplador Integral VTN1030C

Se puede instalar la campana con un soplador VTN1030C.

## Preparación del soplador

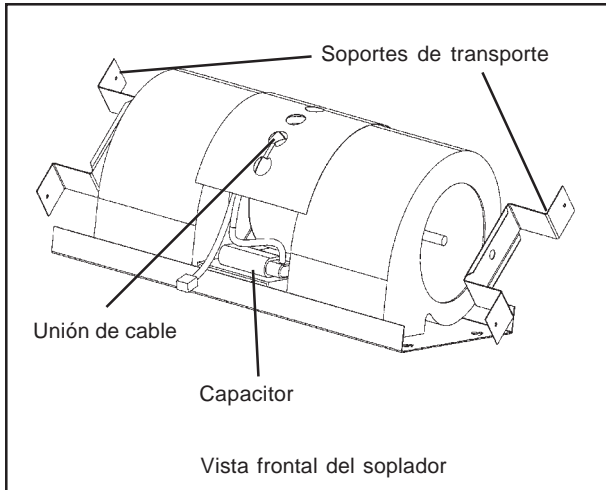


Figura 12a

1. Quite los soportes de transporte a la izquierda y derecha y deséchelos.
2. Corte la unión de cable como se indica en la Figura 12a. Ubique el arnés de cables con el conector Molex de 6 pines. Coloque el arnés de cables para que salga por la parte trasera del ventilador, como se muestra en la Figura 12b abajo.
3. Vuelva a fijar el capacitor con el arnés del cable con la nueva unión de cable (incluida) en el mismo lugar en el frente.

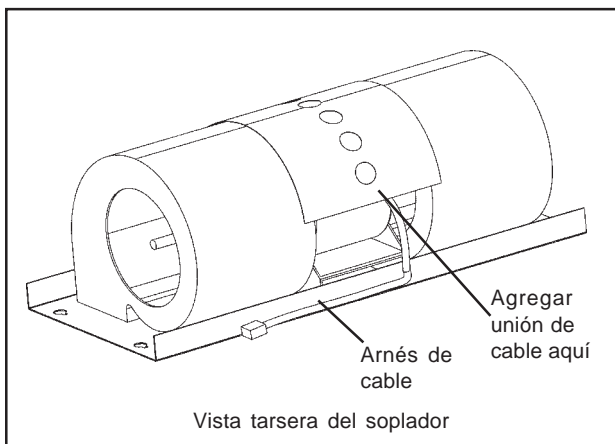


Figura 12b

4. Conecte el arnés de cable con el conector Molex de 6 clavijas a la caja como se indica en la Figura 12b con la unión de cable (incluida).

## Instalar el soplador en la campana:

1. Se fija el soplado a la campana usando los pernos de soldadura que vienen incluidos en la placa de montaje.
2. La Figura 12 c muestra los pernos de soldadura en el lugar B para la descarga horizontal (trasera). Fije cuatro tuercas #10-24 a los pernos de soldadura. Para una descarga vertical, fije las tuercas a los pernos en la parte superior de la placa de montaje.

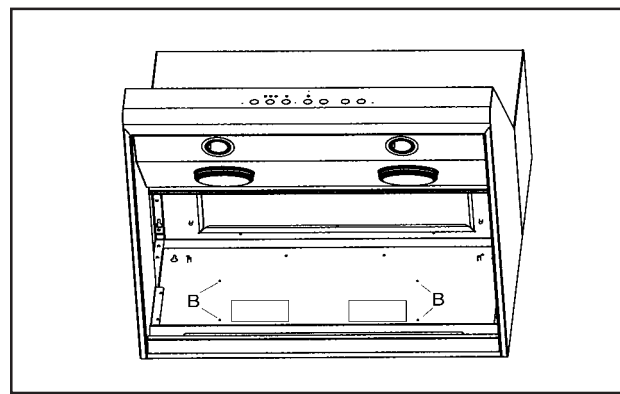


Figura 12c

3. Coloque la placa de montaje del motor encima de las tuercas y apriete para asegurar el soplador a la camapana.
4. Fije dos tornillos adicionales como se muestra en la Figura 12d.

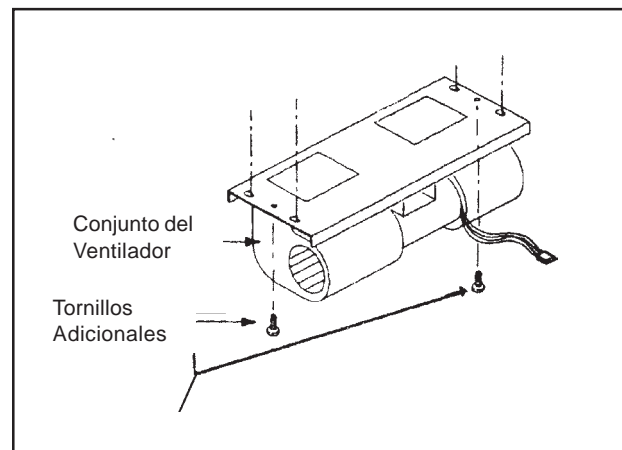


Figura 12d

### CUIDADO:

Verifique que los dos tornillos adicionales en la Figura 12d estén instalados y bien apretados antes de proceder.

# Instrucción para encaminar los cables

## Descarga Vertical

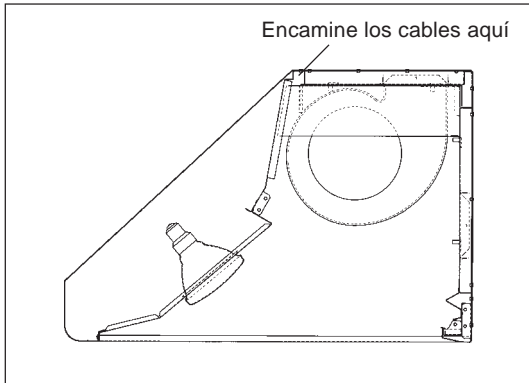


Figura 12e

## Descarga Horizontal

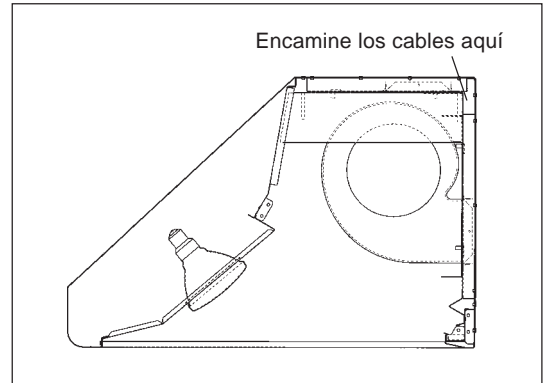


Figura 12g

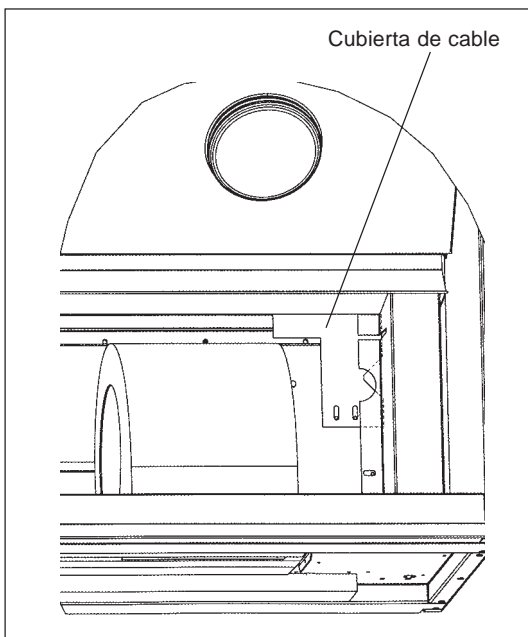


Figura 12f

Instale la cubierta de cable como se indica en la Figura 12f. El modelo con ancho de 30" no necesita una cubierta para cables.

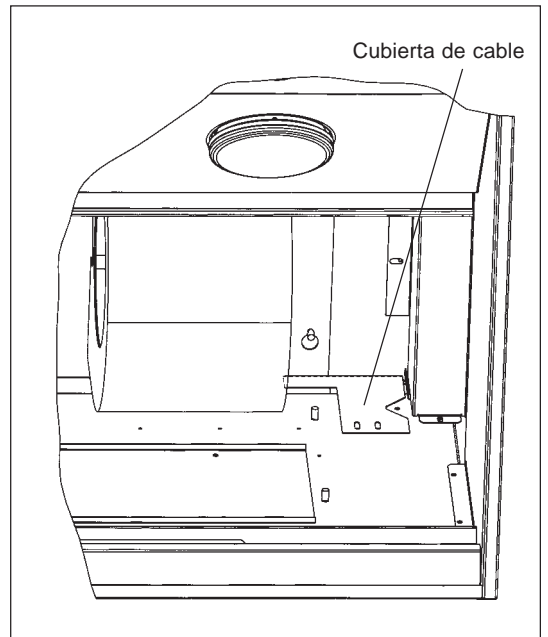


Figura 12h

Instale la cubierta de cable como se indica en la Figura 12h. El modelo con ancho de 30" no necesita una cubierta para cables.



## ADVERTENCIA

Apague la electricidad en el panel de servicio antes de conectar la unidad. (vea las Instrucciones de Seguridad, Página 1).

### Conectar la campana con un motor integral

1. Quite la cubierta de la caja de conexiones.
2. Enchufe el conector molex VTN1030C al conector presente adentro de la campana como se indica en la Figura 13.
3. Instale el conector del conducto de 1/2" en la caja de conexiones.

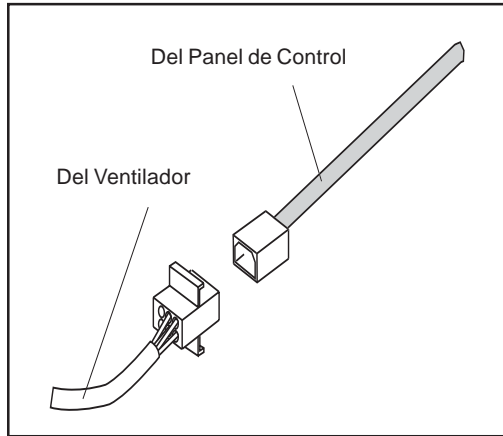


Figura 13

4. Encamine los cables negro, blanco y verde (#12AWG) en el conducto de 1/2" desde la fuente de alimentación a la caja de conexiones.
5. Conecte los cables de la fuente de alimentación a los cables de la campana en el siguiente orden: cable negro con negro, blanco con blanco y el cable verde al tornillo verde de tierra en el bastidor. Use los conectores de alambre tipo resorte que vienen incluidos. (Los conectores de alambre que faltan o que se perdieron deben ser reemplazados solamente con: Conectores de alambre tipo resorte, diseñados para un mínimo de (2) alambres calibre #18 y un máximo de (4) alambres calibre #14, aprobados por UL y CSA y una capacidad nominal de 600V y 302 grados F / 150 grados C.
6. Cierre la cubierta de la caja de conexiones. Revise para estar seguro que los focos están en sus casquillos. Reemplace los filtros como se describe en el Manual de Cuidado y Uso. Prenda la corriente en el panel de servicio. Revise la operación de la campana.

### Instalación del Soplador Remoto:

Los modelos de campana PH están diseñados para trabajar con los sopladores remotos VTR630D, VTR1030D, VTR1330E, o VTR1530D Para las instrucciones de instalación, consulte las instrucciones incluidas con el soplador.

### Conectar la campana con un Soplador Remoto

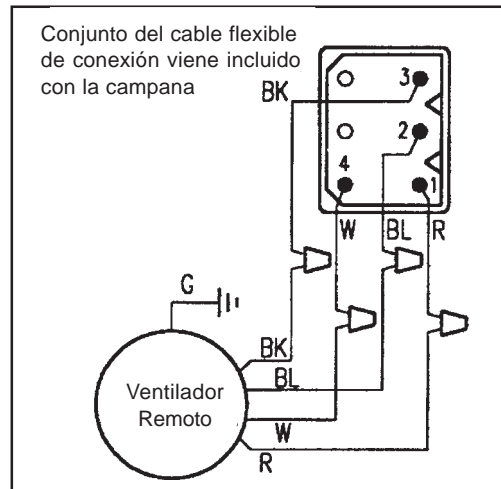


Figura 14

1. Quite la cubierta de la caja de conexiones.
2. Instale el conector del conducto de 1/2" en la caja de conexiones.
3. Encamine los cables negro, blanco y verde (#12AWG) en el conducto de 1/2" desde la fuente de alimentación a la caja de conexiones.
4. Conecte los cables de la fuente de alimentación a los cables de la campana en el siguiente orden: cable negro con negro, blanco con blanco y el cable verde al tornillo verde de tierra en el bastidor. Use los conectores de alambre tipo resorte que vienen incluidos. (Los conectores de alambre que faltan o que se perdieron deben ser reemplazados solamente con: Conectores de alambre tipo resorte, diseñados para un mínimo de (2) alambres calibre #18 y un máximo de (4) alambres calibre #14, aprobados por UL y CSA y una capacidad nominal de 600V y 302 grados F / 150 grados C.
5. Conecte el enchufe "rabillo" al conector dentro de la caja de conexiones.
6. Encamine cinco cables (#14AWG) en el conducto de 1/2" del soplador remoto al segundo conector de conducto.
7. Conecte el ventilador remoto a los cables de conexión flexible (rabillo) (Paso 6) como se indica en la Figura 14 usando las tuercas de cable incluidas. Conecte el cable verde (tierra) del soplador remoto al tornillo de tierra en la caja de conexiones.
8. Cierre la cubierta de la caja de conexiones. Revise para estar seguro que todos los focos están en sus casquillos. Instale los filtros. Prenda la corriente en el panel de servicio y revise las luces y la operación del soplador como se indica en el manual de Cuidado y Uso.

# Notes

# Notes



# Notes

We reserve the right to change specifications or design without notice. Some models are certified for use in Canada. Thermador is not responsible for products which are transported from the U.S. for use in Canada. Check with your local Canadian distributor or dealer.

For the most up to date critical dimensions by fax, use your fax handset and call 775-833-3600. Use code # 8030.

***Thermador***<sup>®</sup> | *An American Icon*<sup>™</sup>

5551 McFadden Avenue, Huntington Beach, CA 92649 USA • 800-735-4328 • [www.thermador.com](http://www.thermador.com)  
9000165613 • ECO 5U01BP • Rev. C • 03/07 • ©BSH Home Appliances Corporation, 2007 • All rights reserved •  
Litho in USA