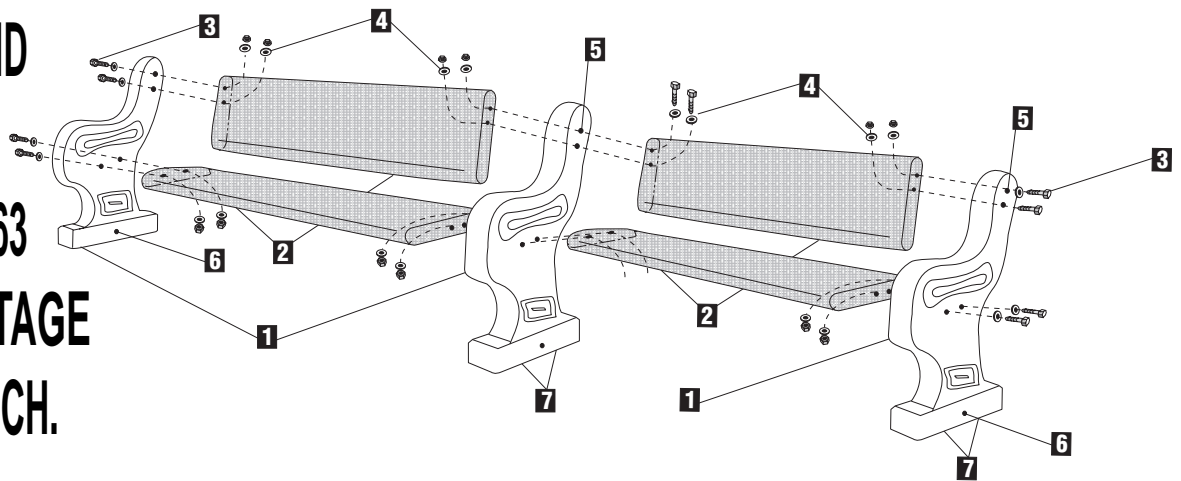




Metal-Form

10/99

**ASSEMBLY DIAGRAM,
INSTRUCTIONS AND
PARTS LIST FOR
THE TF5962, MF5963
AND TF5965 HERITAGE
SECTIONAL BENCH.**



NOTE:

Leave all connections loose until completely assembled. Secure all fasteners in final assembly.

WAUSAU TILE

Metal-Form Division
P.O. Box 1520
Wausau, WI 54402-1520
Ph: 800-446-8020
Fax: 715-355-4627
www.wausautile.com

ITEM NO.	DESCRIPTION	QTY
1	Cast concrete bench end	2
2	Metalform bench top & back	2
3	3/8"-16 x 4 1/2" Hex head bolt	8
4	3/8" Flat washers	16
5	3/8" x 3 1/2" Grade L-E tube sleeve	8
6	1/3"-13 UNC threaded inserts	4
7	3/8"-16 UNC threaded inserts	4