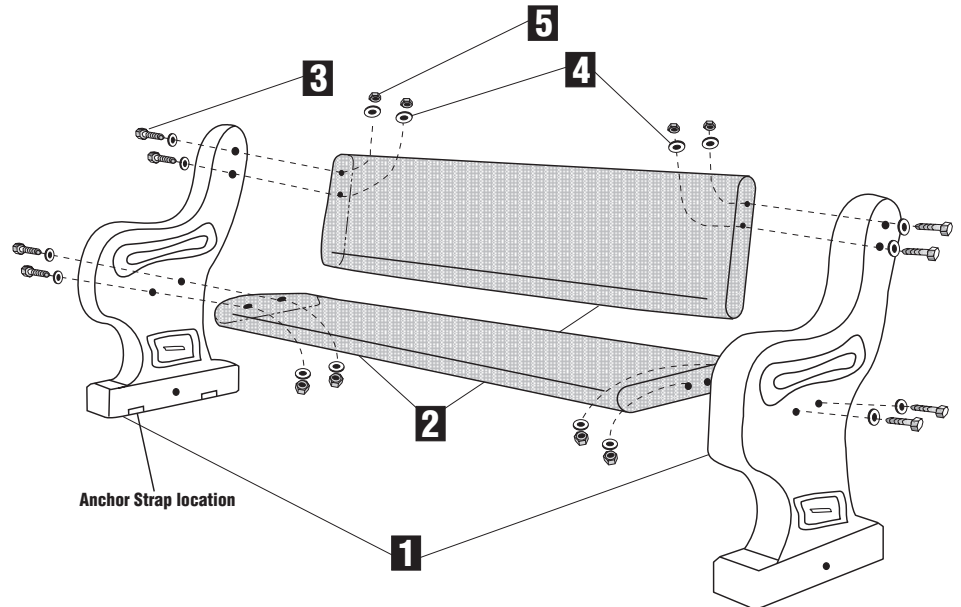


# Metal-Form

6/03



## ASSEMBLY DIAGRAM, INSTRUCTIONS AND PARTS LIST FOR THE TF5961 HERITAGE BENCH.

\*This assembly diagram depicts the standard Heritage Bench.  
Parts and quantities will vary for other Heritage Bench systems.

ITEM NO.	DESCRIPTION	QTY
1	Cast concrete bench end	2
2	Metal-Form bench top & back	2
3	3/8"-16 x 4 1/2" Hex head bolt	8
4	3/8" Flat washers	16
5	3/8" Nylon Lock Nuts	8

Total Weight of the Heritage Bench is 490 LBS.

### NOTE:

Leave all connections loose until completely assembled. Secure all fasteners in final assembly.

**WAUSAU TILE**

Metal-Form Division  
P.O. Box 1520  
Wausau, WI 54402-1520  
Ph: 800-446-8020  
Fax: 715-355-4627  
www.wausautile.com

Size: 62" long x 26" wide x 38" tall overall  
 Weight: 490 lbs  
 Construction: Panels - 11 Gauge Perforated Steel - Metal-Armor Coated  
 Framework - 2" Diameter - 12 Gauge Galvanized Tube - Metal-Armor Coating - With U. V. Inhibitors on Panels - Vandal Resistant Security Head Bolts - Baked-On Polyester Powder Coat on Framework - Umbrella Hole  
 Standard Features:  
 Color Options: Standard Metal-Form Options:  
 Panel: Yellow - Green - Brown - Red - Blue - Black - Gray  
 Framework: Gray - Sand - Black - Silver  
 (Custom colors are available - contact Metal-Form for options)  
 Other Options: Permanent Anchoring Kit Available From Metal-Form