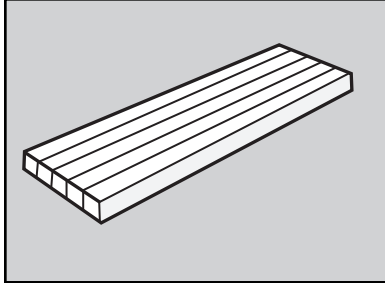


TF 5090 MPB Redwood Bench



Options:

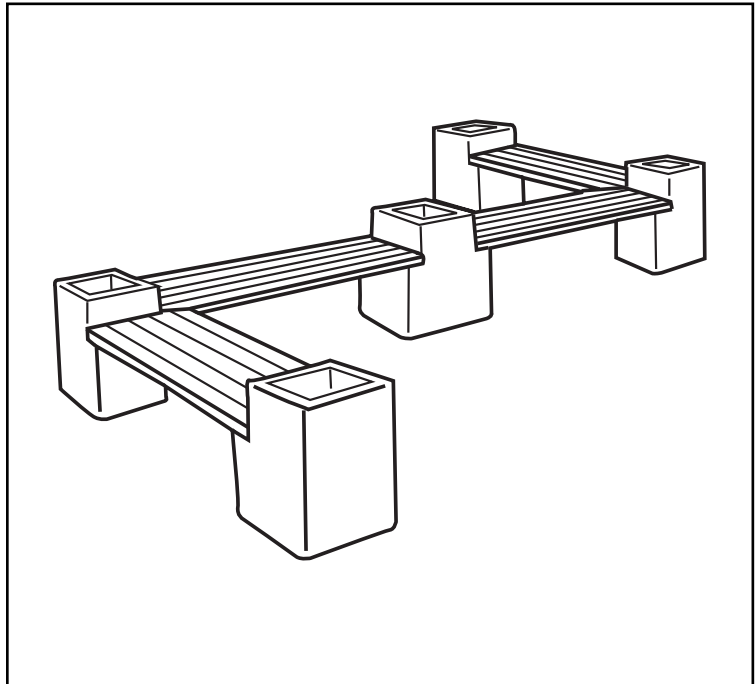
Note: Options may change without notice.
Call to confirm current options.

Color/ Finish:

Redwood

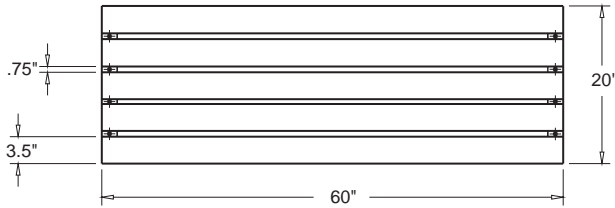
Custom Options Available

Size:	60" L x 20" W x 2" H.
Weight:	90 lbs.
Seating Capacity:	3-4 persons.
Material:	(5) - 2" x 4" Redwood Boards.
Hardware:	(8) - 3/8" Dia. x 1" plated allen screws.
Maintenance:	Redwood should be sealed with a clear wood stain or with wood sealer in a matching color.
Packaging:	Banded to pallet. Assembly Required.
Anchoring:	Attach to MPB Pieces.
Features:	All corner angles must be specified when placing order.



SPECIFICATIONS

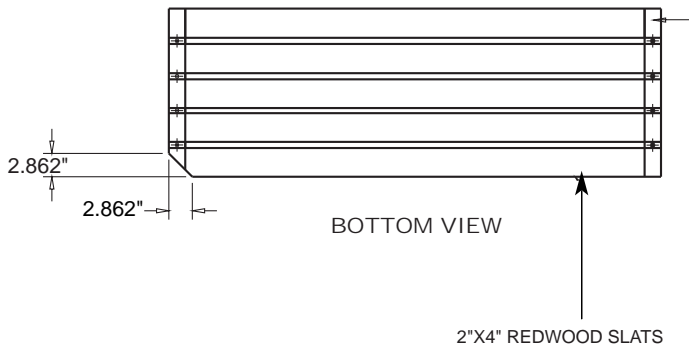
TF 5090 MP Redwood Bench



TOP VIEW

*THE OPTIONAL 45 DEGREE ANGLE MUST BE SPECIFIED WHEN MAKING RIGHT ANGLE TURNS WITH THE TF5085 BENCH SECTION

20"X2"X.25" ALUMINUM ANCHOR PLATE SECURED TO SLATS WITH 20-1.25" SCREWS 2 PLATES PER BENCH SECTION



1.1 SUMMARY

- A. Section includes: Furnish Precast Concrete Bench indicated on drawings or specified herein.

1.2 REFERENCES

- A. American Society for Testing & Material
 - 1. ASTM C33
 - 2. ASTM C150
 - 3. ASTM C31

1.5 SUBMITTALS

- A. Submit product data, shop drawings and samples.
 - 1. Product Data: Manufacturer's specifications and technical data edited specifically for proposed system, including the following specific information:
 - a. Detailed specification of construction fabrication.
 - b. Manufacturer's installation instructions
 - c. Maintenance literature
 - d. Product warranty
 - 2. Shop Drawings: Indicate pertinent dimensions, general construction, component connections anchoring methods, hardware and installation procedures.
 - 3. Samples as requested by Architect.

1.6 QUALITY ASSURANCE

- A. Qualifications of Manufacturer: Manufacturer to be prequalified by specifier prior to bidding. Failure to comply will result in disqualification of bid. Manufacturer to have at least five years experience in the manufacturer of precast concrete benches field proven for at least five years.

1.10 WARRANTY

Manufacturer shall submit a written warranty for precast products for the period of two years upon acceptance of products.

2.1 MANUFACTURERS

- A. Acceptable manufacturer for Precast Concrete Benches to be known as Wausau Tile, Inc. Terra-Form Division. P.O. Box 1520 Wausau, WI 54402-1520. (800) 388-8728 (715) 359-3121 FAX (715) 355-4627
- B. Clarification Note: Drawings and installation specification are based on manufacturers proprietary literature from Wausau Tile, Inc. Other manufacturers shall comply with minimum levels of material and detailing indicated on drawings or specified herein.

2.2 MATERIALS

- A. Portland Cement: ASTM C150 specifications for Portland Cement.
- B. Aggregates: All aggregates to meet ASTM C33 specifications, to be cleaned of foreign matter and properly graded to size.
- C. Coloring: All Precast products for this project shall be of one manufacturer.