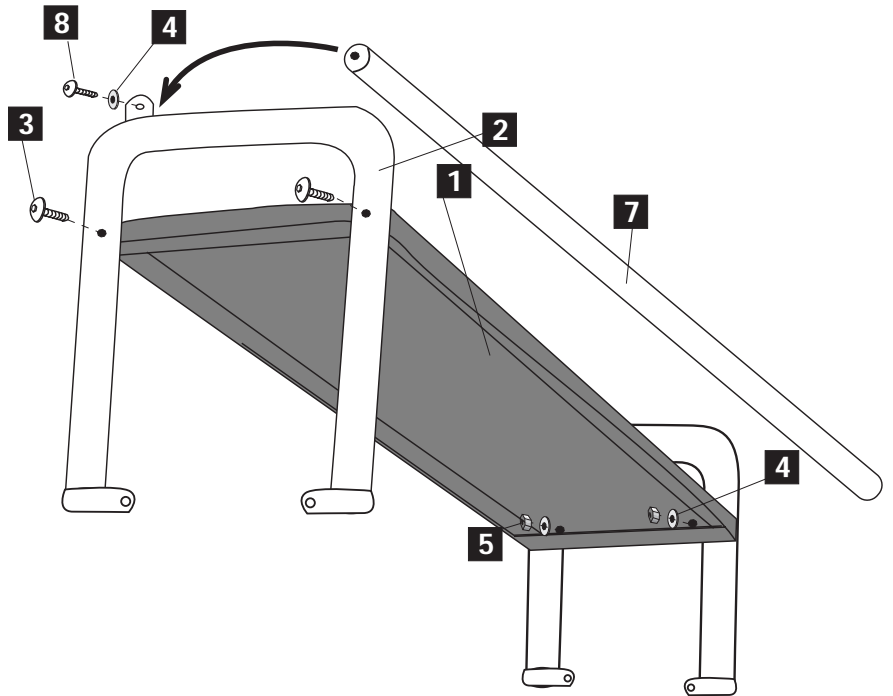




# Metal-Form

12/02



## ASSEMBLY DIAGRAM, INSTRUCTIONS AND PARTS LIST FOR THE MF2080 DETENTION BENCH SINGLE.

### NOTE:

Leave all connections loose until completely assembled. Secure all fasteners in final assembly.

### WAUSAU TILE

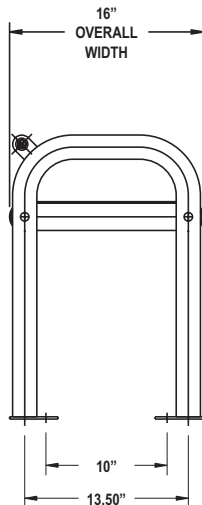
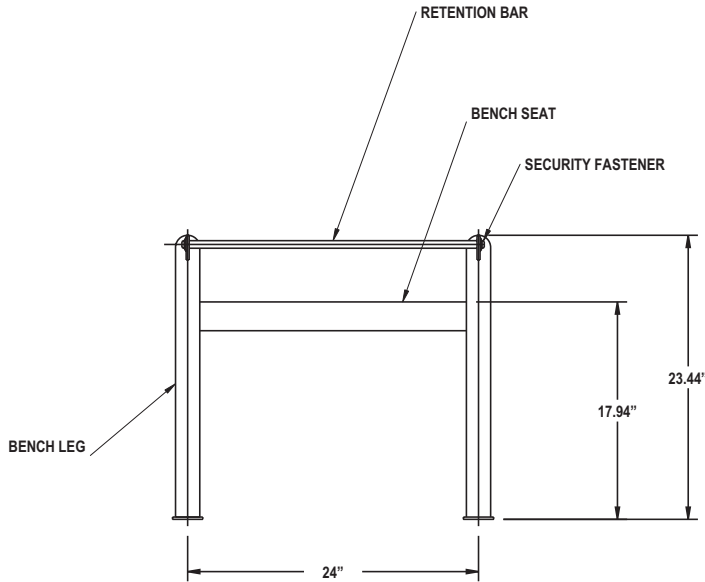
Metal-Form Division  
P.O. Box 1520  
Wausau, WI 54402-1520  
Ph: 800-446-8020  
Fax: 715-355-4627  
www.wausautile.com

ITEM NO.	DESCRIPTION	QTY
1	Seat	1
2	Tubular Legs	2
3	3/8" x 3" Bolts	4
4	3/8" Flat Washers	6
5	3/8" Lock Nut	4
6	5/16" Assembly Wrench (not shown)	1
7	Detention Rod	1
8	3/8" x 3/4" Bolts	2

Size: 25" x 16" x 23"  
 Weight: 40 lbs.  
 Construction: 5/8" Stainless Steel Retention Bar  
 Panels - 11 Gauge Perforated Steel - Metal-Armor Coated  
 Framework - 2" Diameter - 12 Gauge Galvanized Tube  
 Permanent Anchoring Plates  
 Standard Features: Metal-Armor Coating - With U. V. Inhibitors on Panels -  
 Vandal Resistant Security Head Bolts  
 Baked-On Polyester  
 Powder Coat on Framework  
 Color Options: Standard Metal-Form Options:  
 Panel: Yellow - Green - Brown - Red - Blue - Black - Gray - Beige - Burgundy  
 Framework: Gray - Sand - Black  
 (Custom colors are available - contact Metal-Form for options)  
 Other Options: 2'-0" Add on seats.

# SPECIFICATIONS

# MF 2080 DETENTION BENCH SINGLE



## 1.1 SUMMARY

- A. Section includes: Furnish Metal-Form benches on drawings or specified herein.

## 1.2 REFERENCES

- A. American Society for Testing & Materials

- 1. ASTM-D533    ASTM-D4541    ASTM-D3359    ASTM-2794
- ASTM-D523    ASTM-4060    ASTM-B117    ASTM-D2247
- ASTM-E84    ASTM-D3170    ASTM-A569    ASTM-B6
- ASTM G26    ASTM-A569/A569M

## 1.3 SUBMITTALS

- A. Submit product data, shop drawings and samples.
  - 1. Product Data: Manufacturer's specifications and technical data edited specifically for proposed product, including the following specific information:
    - a. Detailed specification of construction fabrication.
    - b. Manufacturer's installation instructions
    - c. Product warranty
- B. Shop Drawings: Indicate pertinent dimensions, general construction, component connections, anchoring methods, hardware and installation procedures.
- C. Samples as requested by Architect.

## 1.4 QUALITY ASSURANCE

- A. Qualifications of Manufacturer: Manufacturer to be prequalified by specifier prior to bidding. Failure to comply will result in disqualification of bid. Manufacturer to have at least three years experience in the manufacture of thermo plastic coated steel site furnishings field proven for at least three years.
- B. Warranty: 5 Years - Metal Armor Coated Products  
2 Years - Framework

## 1.5 MANUFACTURERS

- A. Acceptable manufacturer for thermo plastic coated steel site furnishings to be known as:  
Wausau Tile, Inc. Metal-Form Division  
PO Box 1520  
Wausau, WI 54402-1520  
(800) 446-8020 FAX (715) 355-4627
- B. Clarification Note: Drawings and installation specifications are based on manufacturers proprietary literature from Wausau Tile, Inc., Metal-Form Division. Other manufacturers shall comply with minimum levels of material and detailing indicated on drawings or specified herein.