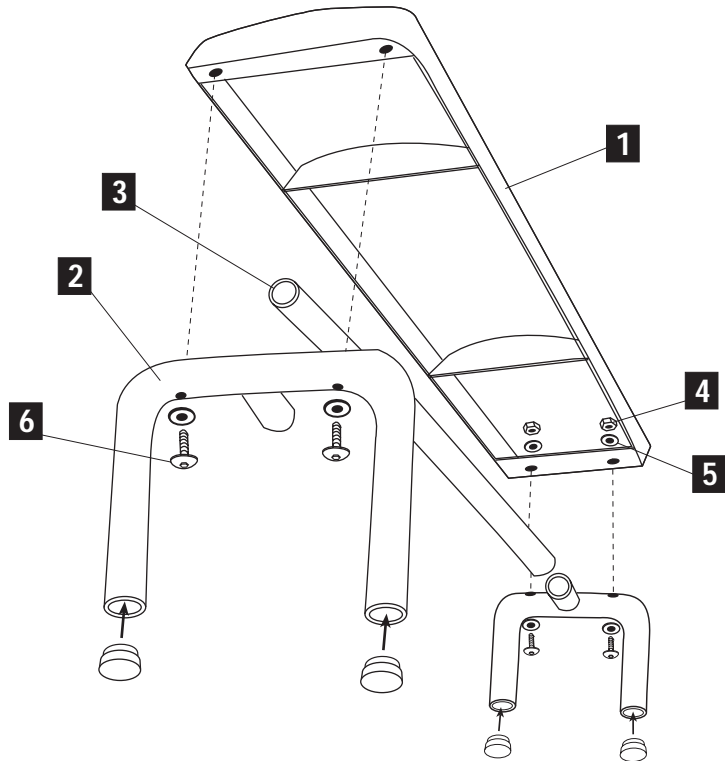




Metal-Form

12/00



ASSEMBLY DIAGRAM, INSTRUCTIONS AND PARTS LIST FOR MF2050 PLAZA BENCH.

NOTE:

Leave all connections loose until completely assembled. Secure all fasteners in final assembly.

WAUSAU TILE

Metal-Form Division
P.O. Box 1520
Wausau, WI 54402-1520
Ph: 800-446-8020
Fax: 715-355-4627
www.wausautile.com

ITEM NO.	DESCRIPTION	WEIGHT	QTY
1	Seat	80	1
2	Tubular Legs	20	2
3	Tubular Support Bar	10	1
4	3/8" Nylon Lock Nuts		4
5	3/8" Flat Washers		8
6	3/8" x 3" Bolts		4
7	5/16" Assembly Wrench		1

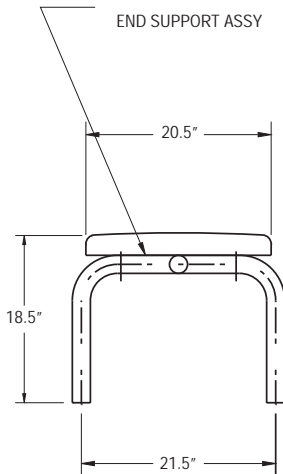
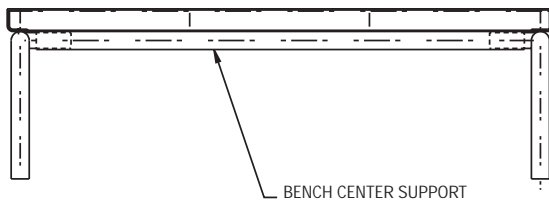
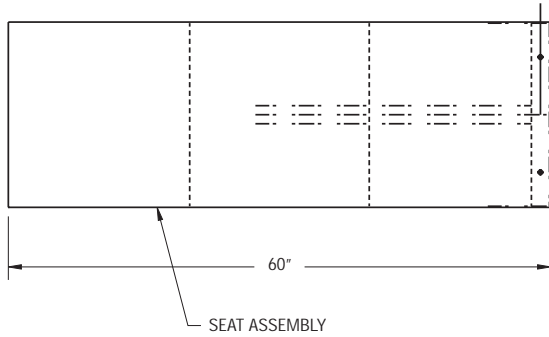
Total Weight of the 2050 - Plaza Bench is 110 LBS.

Size: 60" x 20" x 19"
 Weight: 110 lbs
 Construction: Panels - 11 Gauge Perforated Steel
 Framework - 2" Diameter - 12 Gauge Galvanized Tube
 Standard Features: Metal-Armor Coating - With U. V. Inhibitors on Panels -
 Vandal Resistant Security Head Bolts - Baked-On Polyester
 Powder Coat on Framework
 Color Options: Standard Metal-Form Options:
 Panel: Yellow - Green - Brown - Red - Blue - Black - Gray
 Framework: Gray - Sand - Black - Silver
 (Custom colors are available - contact Metal-Form for options)
 Other Options: Permanent Anchoring Kit Available From Metal-Form
 Warranty: 5 Years - Thermo-Plastic Coated Products
 2 Years - Framework

See reverse for umbrella lock installation ▼

SPECIFICATIONS

MF 2050 PLAZA BENCH



1.1 SUMMARY

- A. Section includes: Furnish Metal-Form benches on drawings or specified herein.

1.2 REFERENCES

- A. American Society for Testing & Materials
 - 1. ASTM-D533 ASTM-D4541 ASTM-D3359 ASTM-2794
 - ASTM-D523 ASTM-4060 ASTM-B117 ASTM-D2247
 - ASTM-E84 ASTM-D3170 ASTM-A569 ASTM-B6
 - ASTM G26 ASTM-A569/A569M

1.3 SUBMITTALS

- A. Submit product data, shop drawings and samples.
 - 1. Product Data: Manufacturer's specifications and technical data edited specifically for proposed product, including the following specific information:
 - a. Detailed specification of construction fabrication.
 - b. Manufacturer's installation instructions
 - c. Product warranty
- B. Shop Drawings: Indicate pertinent dimensions, general construction, component connections, anchoring methods, hardware and installation procedures.
- C. Samples as requested by Architect.

1.4 QUALITY ASSURANCE

- A. Qualifications of Manufacturer: Manufacturer to be prequalified by specifier prior to bidding. Failure to comply will result in disqualification of bid. Manufacturer to have at least three years experience in the manufacture of thermo plastic coated steel site furnishings field proven for at least three years.
- B. Warranty: 5 Years - Metal Armor Coated Products
2 Years - Framework

1.5 MANUFACTURERS

- A. Acceptable manufacturer for thermo plastic coated steel site furnishings to be known as:
Wausau Tile, Inc. Metal-Form Division
PO Box 1520
Wausau, WI 54402-1520
(800) 446-8020 FAX (715) 355-4627
- B. Clarification Note: Drawings and installation specifications are based on manufacturers proprietary literature from Wausau Tile, Inc., Metal-Form Division. Other manufacturers shall comply with minimum levels of material and detailing indicated on drawings or specified herein.