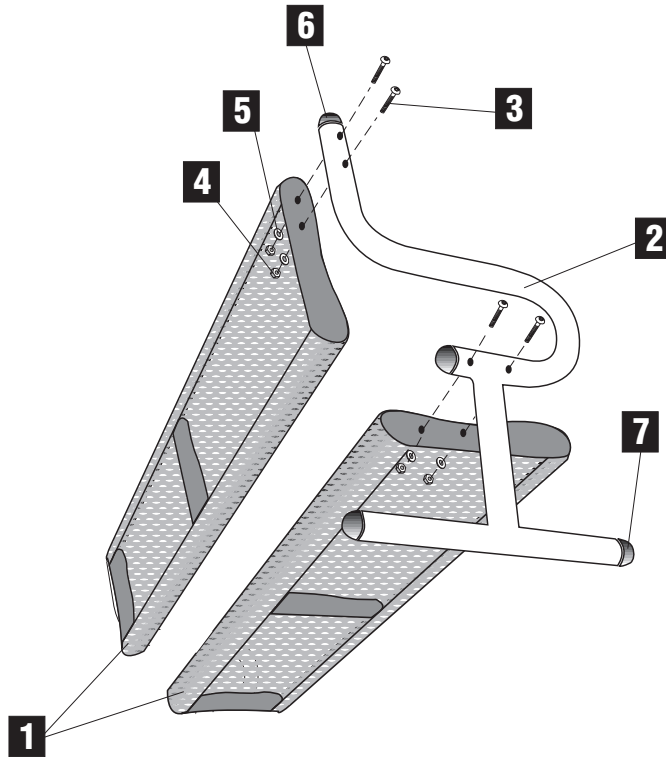


Metal-Form

2/04



ASSEMBLY DIAGRAM, INSTRUCTIONS, PARTS LIST AND SPECIFICATIONS FOR MF2015 ADD-ON ERGO BENCH.



NOTE:

Leave all connections loose until completely assembled. Secure all fasteners in final assembly.

This assembly diagram depicts the 6' Ergo bench. Parts & quantities will vary for other Ergo bench systems.

WAUSAU TILE

Metal-Form Division
P.O. Box 1520
Wausau, WI 54402-1520
Ph: 800-446-8020
Fax: 715-355-4627
www.wausautile.com

ITEM NO.	DESCRIPTION	QTY
1	Back/Seat	2
2	Tubular Leg	1
3	3/8" x 2-3/4" Screw	4
4	3/8" Nylon Lock Nut	4
5	3/8" Flat Washer	4
6	Cross Bolt End Cap	2
7	Crown or Optional Bolt Down Foot	2
8	5/16" Wrench	1

Size: 70" x 24" x 37" Nominal
 Weight: 135 lbs
 Construction: Panels - 11 Gauge Perforated Steel - Metal-Armor Coated
 Framework - 2" Diameter - 12 Gauge Galvanized Tube Powder Coated
 Portable Feet - 356 Cast Alluminum Alloy
 Standard Features: Metal-Armor Coating - With U. V. Inhibitors on Panels -
 Vandal Resistant Security Head Bolts - Baked-On Polyester Powder Coat on
 Framework
 Color Options: Standard Metal-Form Options:
 Panel: Yellow - Green - Brown - Red - Blue - Black - Gray - Burgundy - Beige
 Framework: Gray - Sand - Black - Silver
 (Custom colors are available - contact Metal-Form for options)
 Frame Options: Inground Mount
 Flange Mount
 Anchor Kit
 Other Options: 4' & 2' Lengths available

1.1 SUMMARY

- A. Section includes: Furnish Metal-Form benches on drawings or specified herein.

1.2 REFERENCES

- A. American Society for Testing & Materials
 1. ASTM-D533 ASTM-D4541 ASTM-D3359 ASTM-2794
 ASTM-D523 ASTM-4060 ASTM-B117 ASTM-D2247
 ASTM-E84 ASTM-D3170 ASTM-A569 ASTM-B6
 ASTM G26 ASTM-A569/A569M

1.3 SUBMITTALS

- A. Submit product data, shop drawings and samples.
 1. Product Data: Manufacturer's specifications and technical data edited specifically for proposed product, including the following specific information:
 - a. Detailed specification of construction fabrication.
 - b. Manufacturer's installation instructions
 - c. Product warranty
- B. Shop Drawings: Indicate pertinent dimensions, general construction, component connections, anchoring methods, hardware and installation procedures.
- C. Samples as requested by Architect.

1.4 QUALITY ASSURANCE

- A. Qualifications of Manufacturer: Manufacturer to be prequalified by specifier prior to bidding. Failure to comply will result in disqualification of bid. Manufacturer to have at least three years experience in the manufacture of thermo plastic coated steel site furnishings field proven for at least three years.
- B. Warranty: 5 Years - Metal Armor Coated Products
 2 Years - Framework

1.5 MANUFACTURERS

- A. Acceptable manufacturer for thermo plastic coated steel site furnishings to be known as:
 Wausau Tile, Inc. Metal-Form Division
 PO Box 1520
 Wausau, WI 54402-1520
 (800) 446-8020 FAX (715) 355-4627
- B. Clarification Note: Drawings and installation specifications are based on manufacturers proprietary literature from Wausau Tile, Inc., Metal-Form Division. Other manufacturers shall comply with minimum levels of material and detailing indicated on drawings or specified herein.

