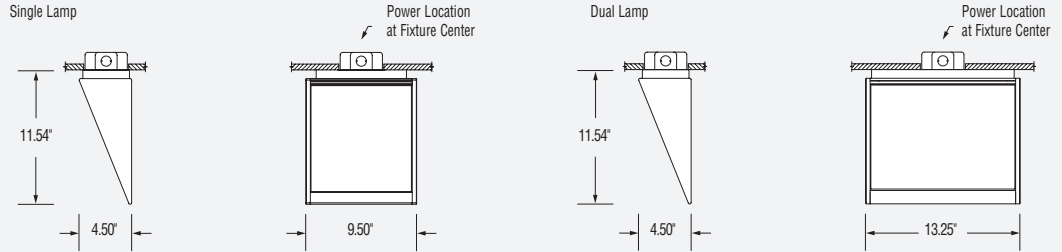
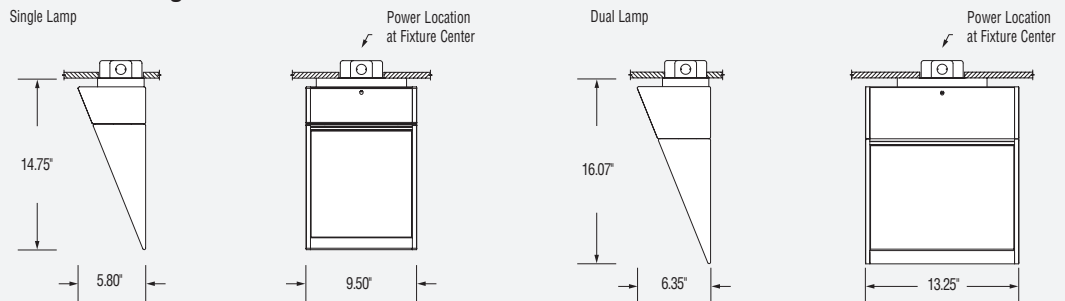


Interior Ceiling Mount

Surface - Remote Ballast



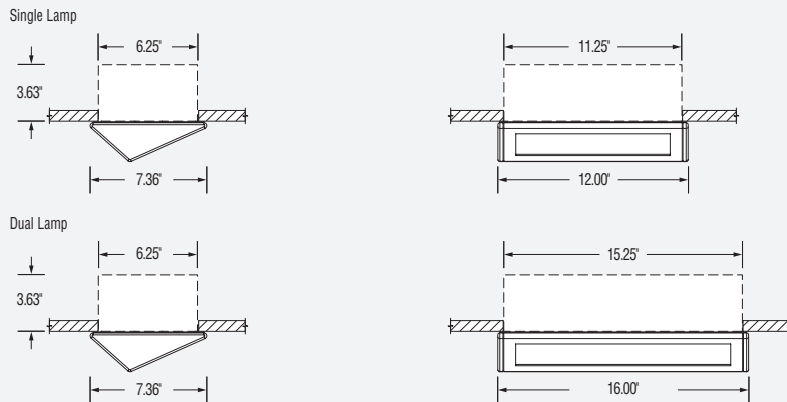
Surface - Integral Ballast



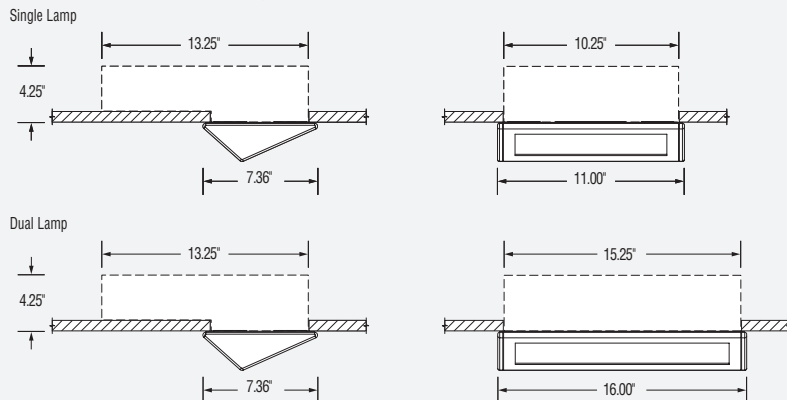
Specifications:

- **Extruded** - Extruded .188" aluminum housing.
- Cast aluminum end caps.
- Ceiling mount units supplied with steel mounting bracket to fit over a standard 4" junction box. Simple three step installation.
- Recessed housing can be mounted in ceiling.
- Recessed housing has universal mounting brackets that can accept 1/2" EMT, lathing channels or hanger brackets
- Housings, endcaps, brackets and cover plates painted to match. Standard finish is thermoset polyester powder coat. All metal surfaces go through a 5-stage pretreatment process prior to powder coat application.
- Integral and remote ballasts are HPF electronic with low harmonic distortion (<15%). Ballasts are thermally protected and have Class "A" sound rating. Maximum remote mounting distance 50 feet.
- H.I.D. and Tungsten Halogen luminaires utilize a 95% premium reflective aluminum reflector. Impact and heat resistant tempered glass lens.
- Metal Halide lamps are 4200°K.
- UL listed (US and Canada) for damp locations. (Not for exterior use).

Semi-Recessed - Remote Ballast



Semi-Recessed - Integral Ballast

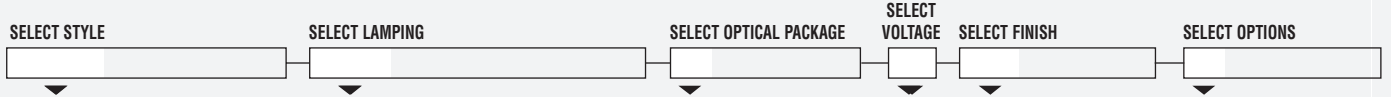


Assistance Available: Please see our website, or call 262-242-1420 for more specific product information, applications assistance or modification requests.

ECHO REFLECTIONS

Remote or Integral Ballast

FT	PW	VG	Lamp Wattage Range	Lamp
				FL
			39-300W	MH
			150-300W	TH



CEILING MOUNT Remote Ballast

Mounting	Housing	Lamping Detail	Optical Package	Voltage	Finish	Options
9.5'	Ceiling	Extruded	EIC 5002	1T150 (1) 150W T4 DC BAY QTZ	FT Forward Throw	120 277 See SPI Finish Selection Guide on pages 168-169. Other voltages/frequencies are available. For additional details and options, see Technical Notes on page 166 or consult factory for information.
			1T250 (1) 250W T4 DC BAY QTZ	PW Plane Wash		
			1M39 (1) 39W T6 CMH/G12			
			1M70 (1) 70W T6 CMH/G12			
			1M150 (1) 150W T6 CMH/G12			
13.25'	Ceiling	Extruded	EIC 5010	2T150 (2) 150W T4 DC BAY QTZ	FT Forward Throw	MB⁵ Remote Magnetic Ballast. F Fuse. (metal halide lamping) For further details on Options, see Technical Notes on page 163. ⁶ Not available with EIC5004, EIC5012, EIS5004 or EIS5012.
			2M150 (2) 150W T6 CMH/G12	PW Plane Wash		

Integral Ballast

Mounting	Housing	Lamping Detail	Optical Package	
9.5'	Ceiling	Extruded	EIC 5004	
			1M39 (1) 39W T6 CMH/G12	FT Forward Throw
			1M70 (1) 70W T6 CMH/G12	PW Plane Wash
13.25'	Ceiling	Extruded	EIC 5012	
			2M150 (2) 150W T6 CMH/G12	FT Forward Throw PW Plane Wash

SEMI-RECESSED MOUNT Remote Ballast

Mounting	Housing	Lamping Detail	Optical Package	
12'	Semi-Rec.	Extruded	EIS 5002	
			1T150 (1) 150W T4 DC BAY QTZ	PW Plane Wash
			1T250 (1) 250W T4 DC BAY QTZ	
			1M39 (1) 39W T6 CMH/G12	
			1M70 (1) 70W T6 CMH/G12	
16'	Semi-Rec.	Extruded	EIS 5010	
			2M150 (2) 150W T6 CMH/G12	PW Plane Wash

Integral Ballast

Mounting	Housing	Lamping Detail	Optical Package	
12'	Semi-Rec.	Extruded	EIS 5004	
			1M39 (1) 39W T6 CMH/G12	PW Plane Wash
			1M70 (1) 70W T6 CMH/G12	
16'	Semi-Rec.	Extruded	EIS 5012	
			2M150 (2) 150W T6 CMH/G12	PW Plane Wash

For additional lamping details and options, see Technical Notes on pages 160-161.

Reflections
Wall
Ceiling
Pendant

3.5
Wall
Ceiling
Pendant

5.0
Wall
Ceiling
Pendant
Pier
Cove
MRI
Shapes

6.0
Wall
Ceiling
Pendant
Pier
Cove
MRI

9.0
Wall
Ceiling
Pendant
Pier
Cove
MRI
Shapes

16.5
Wall
Pier
Pendant

Exterior

Lightruss