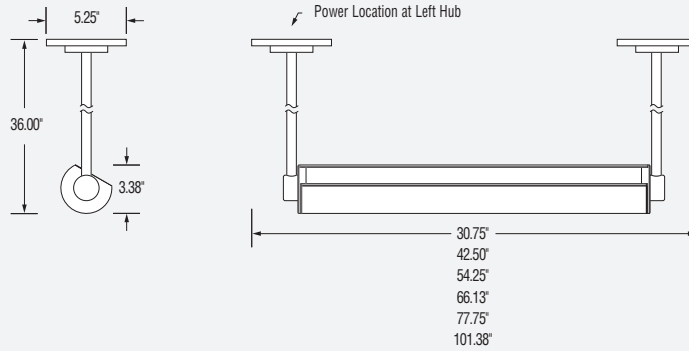
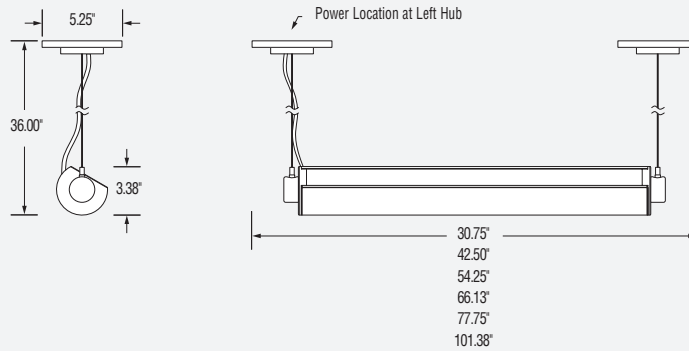


Interior Pendant Mount

Stem



Air Craft Cable

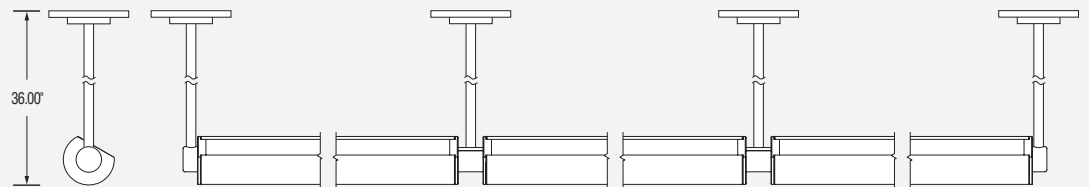


Specifications:

- **Extruded** - Extruded .094" aluminum housing.
- Cast aluminum end caps and aluminum mounting hubs.
- Stem mount units include (2) 5/8" dia. steel mounting stems.
- Aircraft cable units include (2) 1/16" 304 stainless steel cables and power cord.
- Aluminum cover to fit over a standard 4" junction box.
- Stainless steel exterior fasteners.
- Housing is field adjustable for application specific aiming and can be mechanically locked in the desired position.
- 95% premium reflective aluminum reflector.
- Housings, endcaps, brackets, cover plates and stems painted to match. Standard finish is thermoset polyester powder coat. All metal surfaces go through a 5-stage pretreatment process prior to powder coat application.
- Integral ballasts are HPF electronic with low harmonic distortion (<20%). Minimum starting temperature of 0° F. Ballasts are thermally protected and have Class "A" sound rating.
- UL listed (US and Canada) for damp locations. (Not for exterior use).

Assistance Available: Please see our website, or call 262-242-1420 for more specific product information, applications assistance or modification requests.

Continuous Row



Please Consult Factory.

Note: Each section of the Continuous Row fixture is available in any combination of the following lengths; 2', 3', 4', 5', 6' and 8'.

ECHO 3.5

Integral Ballast

FT	PW	VG	Lamp Wattage Range	Lamp
<input checked="" type="radio"/>	<input type="radio"/>	<input type="radio"/>	14-108W	FL
<input type="radio"/>	<input type="radio"/>	<input type="radio"/>		MH
<input type="radio"/>	<input type="radio"/>	<input type="radio"/>		TH

SELECT STYLE

Mounting	Housing
EIP 1002 Stem	Extruded
EIP 1004 Aircraft Cable	
EIP 1010 Stem	Extruded
EIP 1012 Aircraft Cable	
EIP 1018 Stem	Extruded
EIP 1020 Aircraft Cable	
EIP 1026 Stem	Extruded
EIP 1028 Aircraft Cable	
EIP 1032 Stem	Extruded
EIP 1034 Aircraft Cable	
EIP 1038 Stem	Extruded
EIP 1040 Aircraft Cable	

SELECT LAMPING

Lamping Detail
1F14 (1) 14W T5 FL/T5 Mini Bipin
1F24 (1) 24W T5HO FL/T5 Mini Bipin
1F24DM (1) 24W T5HO FL/T5 Mini Bipin DM
1F21 (1) 21W T5 FL/T5 Mini Bipin
1F39 (1) 39W T5HO FL/T5 Mini Bipin
1F39DM (1) 39W T5HO FL/T5 Mini Bipin DM
1F28 (1) 28W T5 FL/T5 Mini Bipin
1F28DM (1) 28W T5 FL/T5 Mini Bipin DM
1F54 (1) 54W T5HO FL/T5 Mini Bipin
1F54DM (1) 54W T5HO FL/T5 Mini Bipin DM
1F35 (1) 35W T5 FL/T5 Mini Bipin
1F80¹ (1) 80W T5HO FL/T5 Mini Bipin
2F21 (2) 21W T5 FL/T5 Mini Bipin
2F39 (2) 39W T5HO FL/T5 Mini Bipin
2F39DM (2) 39W T5HO FL/T5 Mini Bipin DM
2F28 (2) 28W T5 FL/T5 Mini Bipin
2F28DM (2) 28W T5 FL/T5 Mini Bipin DM
2F54 (2) 54W T5HO FL/T5 Mini Bipin

SELECT OPTICAL PACKAGE

FT Forward Throw

SELECT VOLTAGE

120
277

SELECT FINISH

PT_ Painted. (Include Paint Number)

SELECT OPTIONS

CS	Cut-off Shield. Cannot be used with TS or DCL .
TS	Translucent Shield. Available in 2', 3' and 4' versions only. Cannot be used with CS , IBL or DCL .
IBL	Internal Blade Louver. Cannot be used with TS or DCL .
DCL	Dust Cover Lens. Cannot be used with CS , TS or IBL .
F	Fusing.
EMR	Remote Emergency. Used with 24" and 36" fixtures.
EMI	Integral Emergency. Use with 48", 60", 72" and 96" fixtures.
OAH	Overall Height.

¹ Not available with emergency ballasts.

For additional lamping details and options, see Technical Notes on pages 160-161.

Dimming ballast provides from 100% to 10% lumen output, <20%THD and start temperature of 10° C.

- Reflections Wall Ceiling Pendant
- 3.5 Wall Ceiling Pendant
- 5.0 Wall Ceiling Pendant Pier Cove MRI Shapes
- 6.0 Wall Ceiling Pendant Pier Cove MRI
- 9.0 Wall Ceiling Pendant Pier Cove MRI Shapes
- 16.5 Wall Pier Pendant
- Exterior
- Lightruss