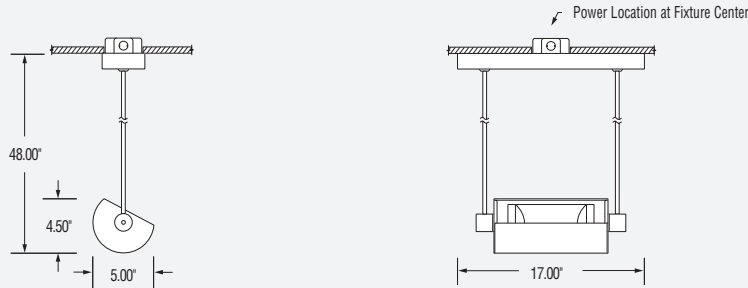


Interior Pendant Mount

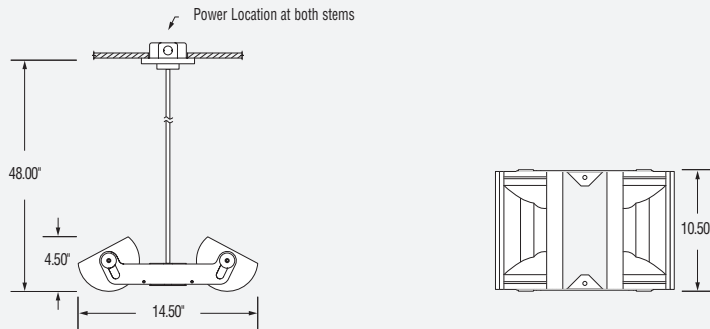
Single Pendant



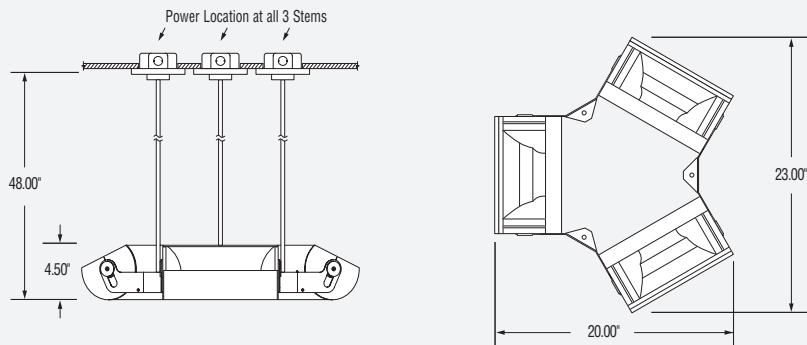
Specifications:

- **Solid** - Roll-formed 20 gauge steel housing.
- **Perforated** - Roll-formed, perforated 20 gauge steel housing.
- Cast aluminum end caps with flush-mounted fasteners.
- Housing is field adjustable for application specific aiming and can be mechanically locked in the desired position.
- H.I.D. and Tungsten Halogen luminaires utilize a segmented, 95% reflective, specular clear, aluminum reflector. Impact and heat-resistant, tempered pattern 62 glass lens.
- Pendant mount utilizes spun aluminum hubs with (2) 1/2" dia. steel stems. Steel canopy mounts to standard 4" junction box.
- Double, Triple and Quad Pendants have yoke brackets die-formed from 14 gauge steel with 2, 3, or 4 stems. 1/2" dia. steel stems. White plastic canopies mount to standard 4" junction boxes.
- Housing, endcaps, brackets and stems painted to match. Standard finish is thermoset polyester powder coat. All metal surfaces go through a 5-stage pretreatment process prior to powder coat application.
- H.I.D. ballasts are remote, encased and potted, magnetic CWA-HPF design (120/277 volt operation). Ballasts are thermally protected and have a Class "B" sound rating.
- UL listed (U.S. and Canada) for damp locations. (Not for exterior use.)

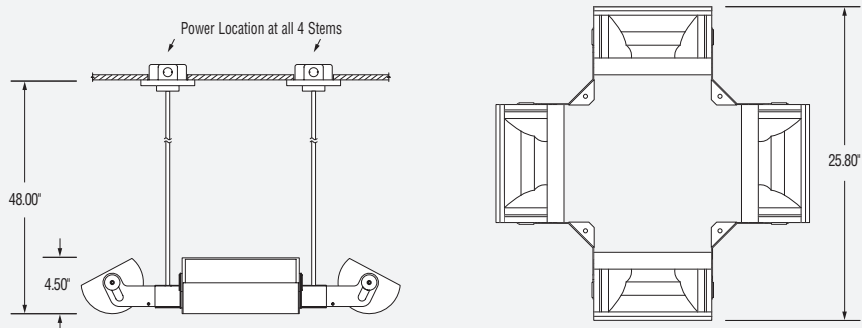
Double Pendant



Triple Pendant



Quad Pendant



Assistance Available: Please see our website, or call 262-242-1420 for more specific product information, applications assistance or modification requests.

ECHO 5.0

Remote Ballast

| FT | PW | VG | Lamp Wattage Range | Lamp |
|-----------------------|----|----|--------------------|------|
| | | | | FL |
| <input type="radio"/> | | | 39-600W | MH |
| <input type="radio"/> | | | 150-1000W | TH |

SELECT STYLE

| | Mounting | Housing |
|----------|----------|------------|
| EIP 1500 | Single | Perforated |
| EIP 1502 | Single | Solid |
| EIP 1506 | Double | Perforated |
| EIP 1508 | Double | Solid |
| EIP 1512 | Triple | Perforated |
| EIP 1514 | Triple | Solid |
| EIP 1518 | Quad | Perforated |
| EIP 1520 | Quad | Solid |

12' (Length of Individual Housing)

SELECT LAMPING (Per Fixture Head)

| | Lamping Detail |
|--------------------|------------------------|
| 1M39 | (1) 39W T6 CMH/G12 |
| 1M70 | (1) 70W T6 CMH/G12 |
| 1M150 | (1) 150W T6 CMH/G12 |
| 1T150 ² | (1) 150W T4 DC BAY QTZ |
| 1T250 ² | (1) 250W T4 DC BAY QTZ |

² 120 volt only.
For additional lamping details and options, see Technical Notes on pages 160-161.

SELECT OPTICAL PACKAGE

FT Forward Throw

SELECT VOLTAGE

120
277

See SPI Finish Selection Guide on pages 168-169.

Other voltages/frequencies are available. For additional details and options, see Technical Notes on page 166 or consult factory for information.

SELECT FINISH

PT_ Painted. (Include Paint Number)

SELECT OPTIONS

| | |
|------------|---|
| CS | Cut-off Shield. |
| RPI | Remote ballast support tray. (metal halide lamping) |
| F | Fuse. (metal halide lamping) |

For further details on Options, see Technical Notes on page 164.

-  Reflections Wall Ceiling Pendant
-  3.5 Wall Ceiling Pendant
-  5.0 Wall Ceiling Pier Cove MRI Shapes
-  6.0 Wall Ceiling Pendant Pier Cove MRI
-  9.0 Wall Ceiling Pendant Pier Cove MRI Shapes
-  16.5 Wall Pier Pendant
-  Exterior
-  Lightruss