

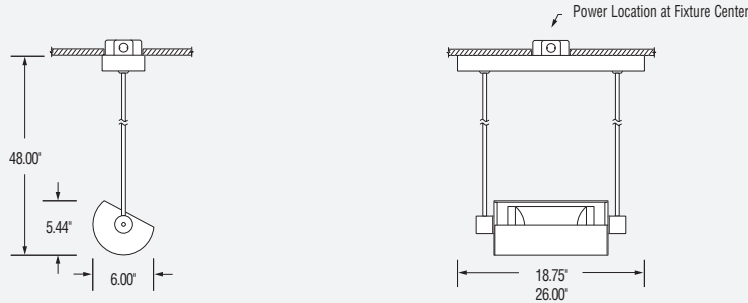
Interior Pendant Mount

Specifications:

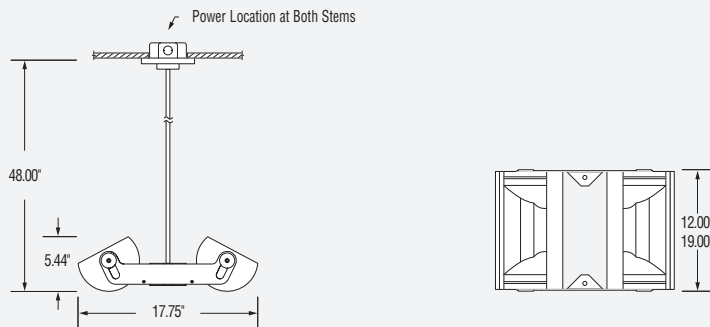
- **Extruded** - Extruded .125" aluminum housing.
- **Solid** - Roll-formed .05" aluminum housing.
- **Perforated** - Roll-formed, perforated 18 gauge steel housing.
- Cast aluminum end caps with flush-mounted fasteners.
- Housing is field adjustable for application specific aiming and can be mechanically locked in the desired position.
- H.I.D. luminaires utilize a segmented, 95% reflective, specular clear, aluminum reflector. Impact and heat-resistant, tempered glass lens.
- Fluorescent luminaires have a die-formed steel, 94% reflective, painted super white reflector.
- Pendant mount utilizes spun aluminum hubs with (2) 1/2" dia. steel stems. Steel canopy mounts to standard 4" junction box.
- Double, Triple and Quad Pendants have yoke brackets die-formed from 14 gauge steel with 2, 3, or 4 stems. 1/2" dia. steel stems. White plastic canopies mount to standard 4" junction boxes.
- Housing, endcaps, brackets and stems painted to match. Standard finish is thermoset polyester powder coat. All metal surfaces go through a 5-stage pretreatment process prior to powder coat application.
- Fluorescent luminaires utilize an integral, HPF electronic ballast with low harmonic distortion (<20%). Minimum starting temperature is 0° F. Ballasts are thermally protected and have a Class "A" sound rating.
- Fluorescent luminaires utilize an integral, HPF electronic ballast with low harmonic distortion (<20%). Minimum starting temperature is 0° F. Ballasts are thermally protected and have a Class "A" sound rating.
- UL listed (U.S. and Canada) for damp locations. (Not for exterior use.)

Assistance Available: Please see our website, or call 262-242-1420 for more specific product information, applications assistance or modification requests.

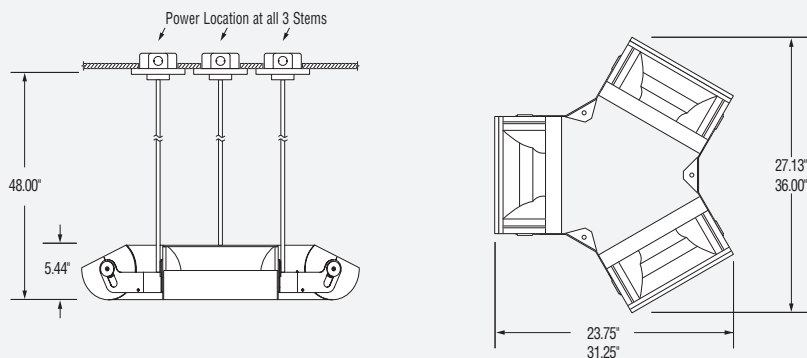
Single Pendant



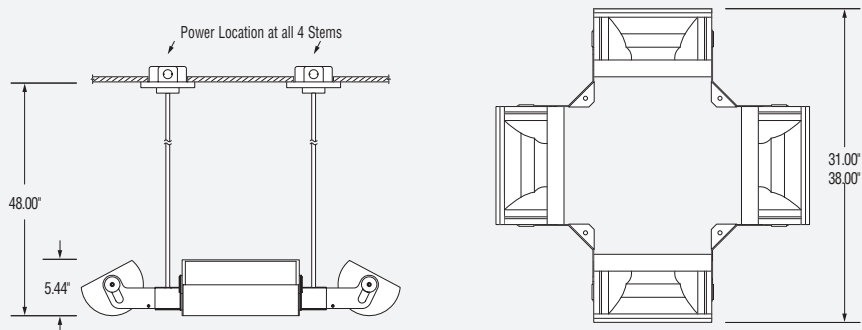
Double Pendant



Triple Pendant



Quad Pendant



ECHO 6.0

Integral Ballast

FT	PW	VG	Lamp Wattage Range	Lamp
			26-312W	FL
			39-600W	MH
				TH

SELECT STYLE

	Mounting	Housing
EIP 2024	Single	Extruded
EIP 2026	Single	Perforated
EIP 2028	Single	Solid
EIP 2030	Double	Extruded
EIP 2032	Double	Perforated
EIP 2034	Double	Solid
EIP 2036	Triple	Extruded
EIP 2038	Triple	Perforated
EIP 2040	Triple	Solid
EIP 2042	Quad	Extruded
EIP 2044	Quad	Perforated
EIP 2046	Quad	Solid

EIP 2048	Single	Extruded
EIP 2050	Single	Perforated
EIP 2052	Single	Solid
EIP 2054	Double	Extruded
EIP 2056	Double	Perforated
EIP 2058	Double	Solid
EIP 2060	Triple	Extruded
EIP 2062	Triple	Perforated
EIP 2064	Triple	Solid
EIP 2066	Quad	Extruded
EIP 2068	Quad	Perforated
EIP 2070	Quad	Solid

SELECT LAMPING (Per Fixture Head)

Lamping Detail	
1F26	(1) 26W CFL Quad/G24q
1F26DM	(1) 26W CFL Quad/G24q DM

1F27	(1) 27W TT FL/2G11
1F39	(1) 39W TT FL/2G11
1F39DM	(1) 39W TT FL/2G11 DM
2F39	(2) 39W TT FL/2G11
2F39DM*	(2) 39W TT FL/2G11 DM

1M39³	(1) 39W T6 CMH/G12
1M70³	(1) 70W T6 CMH/G12
1M150³	(1) 150W T6 CMH/G12

SELECT OPTICAL PACKAGE

FT	Forward Throw
-----------	---------------

FT	Forward Throw
PW	Plane Wash

SELECT VOLTAGE

120
277

See SPI Finish Selection Guide on pages 168-169.

Other voltages/frequencies are available. For additional details and options, see Technical Notes on page 166 or consult factory for information.

SELECT FINISH

PT_	Painted. (Include Paint Number)
------------	---------------------------------

SELECT OPTIONS

CS	Cut-off Shield.
F	Fuse.
RPI	Remote ballast support tray. (metal halide lamping)
EMR	Remote emergency lighting option. (fluorescent lamping)
DCL	Dust Cover Lens. (fluorescent lamping)
EBL	External Blade Louver. (fluorescent lamping)
OAH	Overall Height.

For further details on Options, see Technical Notes on page 165.

³ Only available in extruded housing.

⁴ DCL option not available with lamp offering.

For additional lamping details and options, see Technical Notes on pages 160-161.

Dimming ballast provides 10% lumen output, <20%THD and start temperature of 10° C.

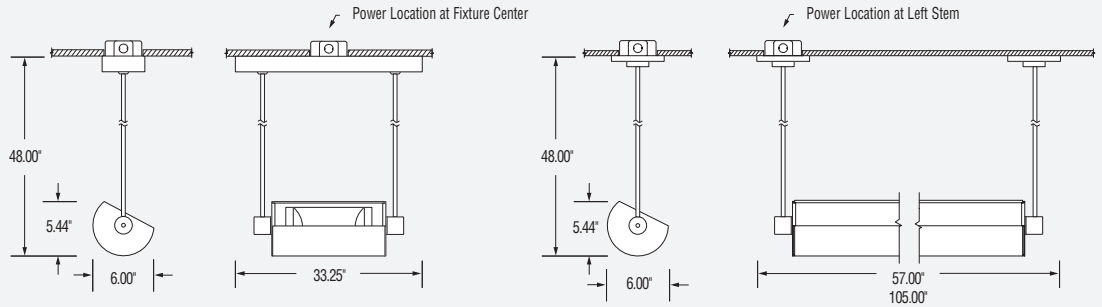
12' (Length of Individual Housing)

19'

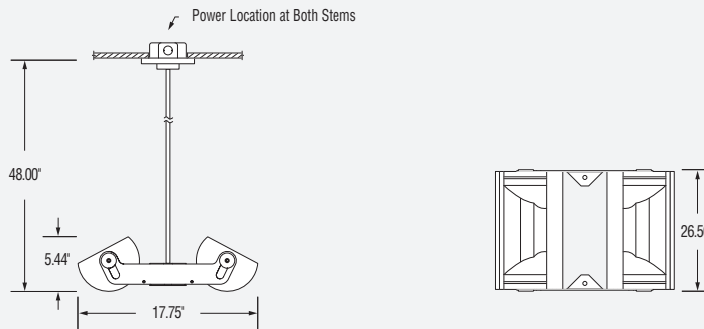
- Reflections
- Wall
- Ceiling
- Pendant
- 3.5
- Wall
- Ceiling
- Pendant
- 5.0
- Wall
- Ceiling
- Pendant
- Pier
- Cove
- MRI
- Shapes
- 6.0
- Wall
- Ceiling
- Pendant
- Pier
- Cove
- MRI
- 9.0
- Wall
- Ceiling
- Pendant
- Pier
- Cove
- MRI
- Shapes
- 16.5
- Wall
- Pier
- Pendant
- Exterior
- Lightruss

Interior Pendant Mount

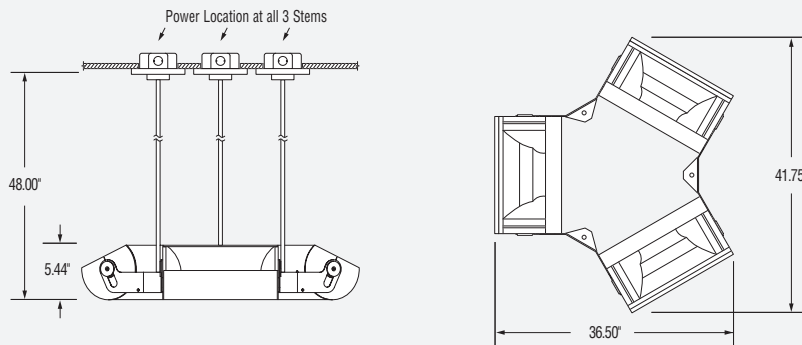
Single Pendant



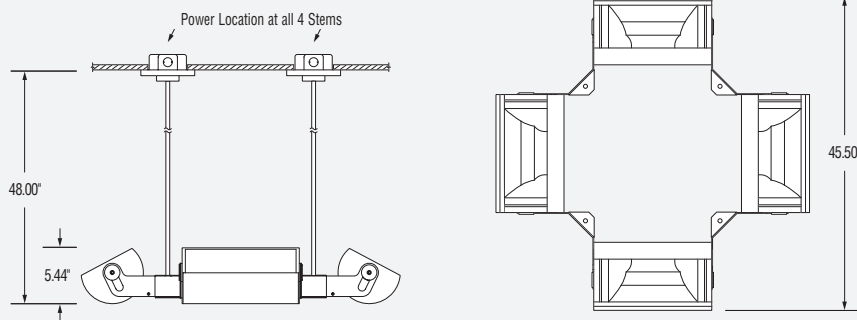
Double Pendant



Triple Pendant



Quad Pendant



Specifications:

- **Extruded** - Extruded .125" aluminum housing.
- **Solid** - Roll-formed .05" aluminum housing.
- **Perforated** - Roll-formed, perforated 18 gauge steel housing.
- Cast aluminum end caps with flush-mounted fasteners.
- Housing is field adjustable for application specific aiming and can be mechanically locked in the desired position.
- Fluorescent luminaires have a die-formed steel, 94% reflective, painted super white reflector.
- Pendant mount utilizes cast aluminum hubs with (2) 1/2" dia. steel stems. Steel canopy mounts to standard 4" junction box.
- Double, Triple and Quad Pendants have yoke brackets die-formed from 14 gauge steel with 2, 3, or 4 stems. 1/2" dia. steel stems. White plastic canopies mount to standard 4" junction boxes.
- Housing, endcaps, brackets and stems painted to match. Standard finish is thermoset polyester powder coat. All metal surfaces go through a 5-stage pretreatment process prior to powder coat application.
- Integral, HPF electronic ballast with low harmonic distortion (<20%). Minimum starting temperature is 0° F. Ballasts are thermally protected and have a Class "A" sound rating.
- UL listed (U.S. and Canada) for damp locations. (Not for exterior use.)

Assistance Available: Please see our website, or call 262-242-1420 for more specific product information, applications assistance or modification requests.

ECHO 6.0

Integral Ballast

FT	PW	VG	Lamp Wattage Range	Lamp
<input checked="" type="checkbox"/>	<input type="checkbox"/>	<input type="checkbox"/>	32-880W	FL
<input type="checkbox"/>	<input type="checkbox"/>	<input type="checkbox"/>		MH
<input type="checkbox"/>	<input type="checkbox"/>	<input type="checkbox"/>		TH

SELECT STYLE

	Mounting	Housing
EIP 2072	Single	Extruded
EIP 2074	Single	Perforated
EIP 2076	Single	Solid
EIP 2078	Double	Extruded
EIP 2080	Double	Perforated
EIP 2082	Double	Solid
EIP 2084	Triple	Extruded
EIP 2086	Triple	Perforated
EIP 2088	Triple	Solid
EIP 2090	Quad	Extruded
EIP 2092	Quad	Perforated
EIP 2094	Quad	Solid
26.5" (Length of Individual Housing)		
EIP 2100	Single	Extruded
50.5"		
EIP 2106	Single	Extruded

SELECT LAMPING (Per Fixture Head)

	Lamping Detail
1F40	(1) 40W TT FL /2G11
1F40DM	(1) 40W TT FL /2G11 DM
1F50	(1) 50W TT FL /2G11
1F50DM	(1) 50W TT FL /2G11 DM
1F55	(1) 55W TT FL /2G11
1F55DM	(1) 55W TT FL /2G11 DM
2F40	(2) 40W TT FL /2G11
2F40DM*	(2) 40W TT FL /2G11 DM
2F50	(2) 50W TT FL /2G11
2F50DM*	(2) 50W TT FL /2G11 DM
2F55	(2) 55W TT FL /2G11
2F55DM*	(2) 55W TT FL /2G11 DM
32"	
1F32	(1) 32W T8 FL/T8 Med. Bipin
1F32DM	(1) 32W T8 FL/T8 Med. Bipin DM
2F54	(2) F54W T5 HO/T5 Mini Bipin
2F40	(2) 40W TT FL/2G11
2F40DM	(2) 40W TT FL/2G11 DM
2F50	(2) 50W TT FL/2G11
2F50DM	(2) 50W TT FL/2G11 DM
2F55	(2) 55W TT FL/2G11
2F55DM	(2) 55W TT FL/2G11 DM
4F40	(4) 40W TT FL/2G11
4F40DM*	(4) 40W TT FL/2G11 DM
4F50	(4) 50W TT FL/2G11
4F50DM*	(4) 50W TT FL/2G11 DM
4F55	(4) 55W TT FL/2G11
4F55DM*	(4) 55W TT FL/2G11 DM
38"	
1F59	(1) 59W T8 FL/T8 Med. Bipin
2F32	(2) 32W T8 FL/T8 Med. Bipin
4F54	(4) 54W T5 HOFL/T5 Mini Bipin
2F32DM	(2) 32W T8 FL/T8 Med. Bipin

SELECT OPTICAL PACKAGE

FT Forward Throw

SELECT VOLTAGE

120
277

See SPI Finish Selection Guide on pages 168-169.

Other voltages/frequencies are available. For additional details and options, see Technical Notes on page 166 or consult factory for information.

SELECT FINISH

PT Painted. (Include Paint Number)

SELECT OPTIONS

CS	Cut-off Shield.
F	Fuse.
DCL	Dust Cover Lens.
EBL	External Blade Louver.
EMI	Integral emergency. Available on 50.5" and 99" fixtures
EMR	Remote emergency. Available on 26.5" fixtures.
OAH	Overall Height

For further details on Options, see Technical Notes on page 165.

* DCL option not available with lamp offering.

For additional lamping details and options, see Technical Notes on pages 160-161.

Dimming ballast provides from 100% to 10% lumen output, <20%THD and start temperature of 10° C.

Reflections
Wall
Ceiling
Pendant

3.5
Wall
Ceiling
Pendant

5.0
Wall
Ceiling
Pendant
Pier
Cove
MRI
Shapes

6.0
Wall
Ceiling
Pendant
Pier
Cove
MRI

9.0
Wall
Ceiling
Pendant
Pier
Cove
MRI
Shapes

16.5
Wall
Pier
Pendant

Exterior

Lightruss