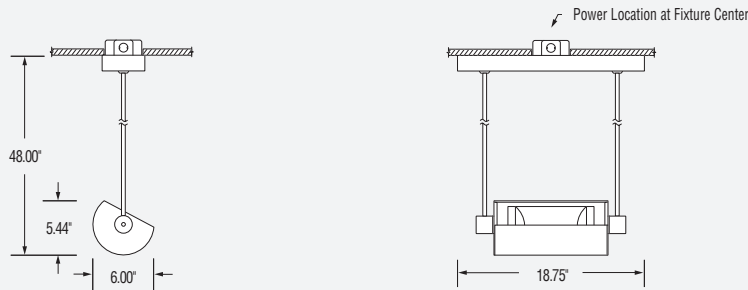


Interior Pendant Mount

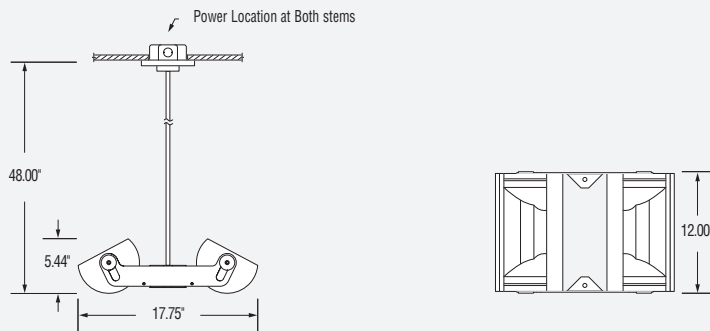
Single Pendant



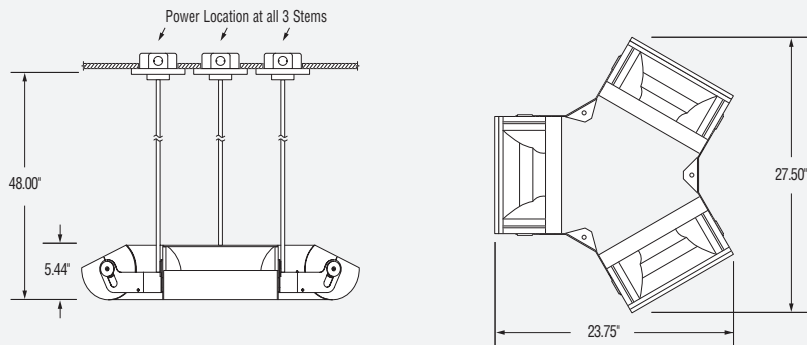
Specifications:

- **Extruded** - Extruded .125" aluminum housing.
- **Solid** - Roll-formed .05" aluminum housing.
- **Perforated** - Roll-formed, perforated 18 gauge steel housing.
- Cast aluminum end caps with flush-mounted fasteners.
- Housing is field adjustable for application specific aiming and can be mechanically locked in the desired position.
- H.I.D and Tungsten Halogen luminaries utilize a segmented, 95% reflective, specular clear, aluminum reflector. Impact and heat-resistant, tempered glass lens.
- Pendant mount utilizes spun aluminum hubs with (2) 1/2" dia. steel stems. Steel canopy mounts to standard 4" junction box.
- Double, Triple and Quad Pendants have yoke brackets die-formed from 14 gauge steel with 2, 3, or 4 stems. 1/2" dia. steel stems. White plastic canopies mount to standard 4" junction boxes.
- Housing, endcaps, brackets and stems painted to match. Standard finish is thermoset polyester powder coat. All metal surfaces go through a 5-stage pretreatment process prior to powder coat application.
- H.I.D. ballasts are remote, encased and potted, magnetic CWA-HPF design (120/277 volt operation). Ballasts are thermally protected and have a Class "B" sound rating.
- UL listed (U.S. and Canada) for damp locations. (Not for exterior use.)

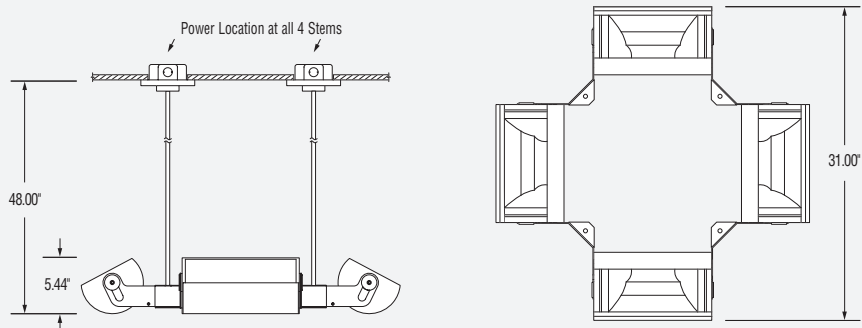
Double Pendant



Triple Pendant



Quad Pendant



Assistance Available: Please see our website, or call 262-242-1420 for more specific product information, applications assistance or modification requests.

ECHO 6.0

Remote Ballast

FT	PW	VG	Lamp Wattage Range	Lamp
				FL
			39-600W	MH
			150-1000W	TH

SELECT STYLE

	Mounting	Housing
EIP 2000	Single	Extruded
EIP 2002	Single	Perforated
EIP 2004	Single	Solid
EIP 2006	Double	Extruded
EIP 2008	Double	Perforated
EIP 2010	Double	Solid
EIP 2012	Triple	Extruded
EIP 2014	Triple	Perforated
EIP 2016	Triple	Solid
EIP 2018	Quad	Extruded
EIP 2020	Quad	Perforated
EIP 2022	Quad	Solid

SELECT LAMPING (Per Fixture Head)

	Lamping Detail
1M39	(1) 39W T6 CMH/G12
1M70	(1) 70W T6 CMH/G12
1M150	(1) 150W T6 CMH/G12
1T150 ²	(1) 150W T4 DC BAY QTZ
1T250 ²	(1) 250W T4 DC BAY QTZ

² 120 volt only.
For additional lamping details and options, see Technical Notes on pages 160-161.

SELECT OPTICAL PACKAGE

FT	Forward Throw
PW	Plane Wash

SELECT VOLTAGE

120
277

See SPI Finish Selection Guide on pages 168-169.
Other voltages/frequencies are available. For additional details and options, see Technical Notes on page 166 or consult factory for information.

SELECT FINISH

PT_ Painted. (Include Paint Number)

SELECT OPTIONS

CS	Cut-off Shield.
RPI	Remote ballast support tray. (metal halide lamping)
F	Fuse. (metal halide lamping)
Q* ³	Standby Quartz Lighting. (for 39W and 70W metal halide lamping, 75W quartz auxiliary lamping)
OAH	Overall Height.

For further details on Options, see Technical Notes on page 165.
³ Multiple head pendants will be provided with (1) one fixture head with the quartz restrike option.

12" (Length of Individual Housing)

Reflections
Wall
Ceiling
Pendant

3.5
Wall
Ceiling
Pendant

5.0
Wall
Ceiling
Pendant
Pier
Cove
MRI
Shapes

6.0
Wall
Ceiling
Pendant
Pier
Cove
MRI

9.0
Wall
Ceiling
Pendant
Pier
Cove
MRI
Shapes

16.5
Wall
Pier
Pendant

Exterior

Lightruss