

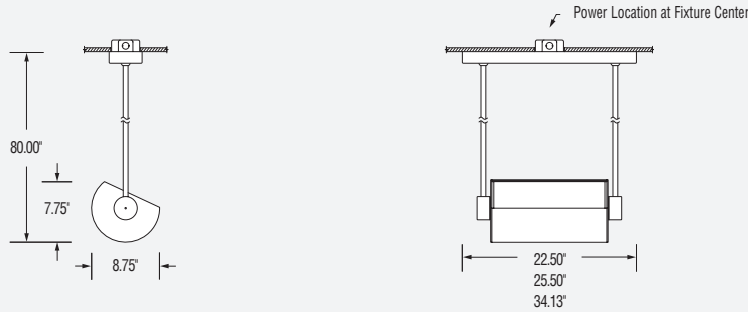
Interior Pendant Mount

Specifications:

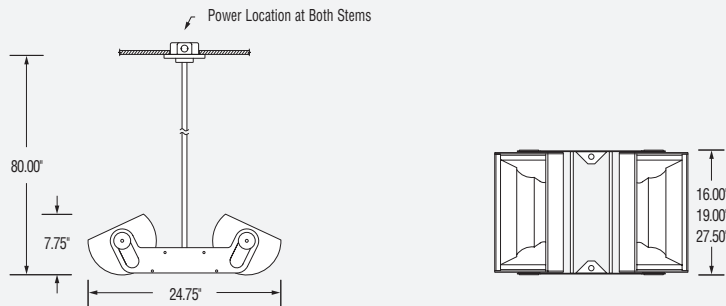
- **Extruded** - Extruded .156" aluminum housing.
- **Solid** - Roll-formed .05" aluminum housing.
- **Perforated** - Roll-formed, perforated 18 gauge steel housing.
- Cast aluminum end caps with flush-mounted fasteners.
- Housing is field adjustable for application specific aiming and can be mechanically locked in the desired position.
- H.I.D. luminaires utilize a segmented, 95% reflective, specular clear, aluminum reflector. Impact and heat-resistant, tempered glass lens.
- Fluorescent luminaires have a die-formed, 85% reflective, low-iridescent, specular aluminum reflector.
- Pendant mount utilizes spun aluminum hubs with (2) 5/8" dia. steel stems. Steel canopy mounts to standard 4" junction box.
- Double, Triple and Quad Pendants have yoke brackets die-formed from 14 gauge steel with 2, 3, or 4 stems. 5/8" dia. steel stems. White plastic canopies mount to standard 4" junction boxes.
- Housing, endcaps, brackets and stems painted to match. Standard finish is thermoset polyester powder coat. All metal surfaces go through a 5-stage pretreatment process prior to powder coat application.
- Integral H.I.D. ballasts are open core and coil, magnetic CWA-HPF design (multi-tap). Ballasts are thermally protected and have a Class "C" sound rating.
- Fluorescent luminaires utilize an integral, HPF electronic ballast with low harmonic distortion (<20%). Minimum starting temperature is 0° F. Ballasts are thermally protected and have a Class "A" sound rating.
- UL listed (U.S. and Canada) for damp locations. (Not for exterior use.)

Assistance Available: Please see our website, or call 262-242-1420 for more specific product information, applications assistance or modification requests.

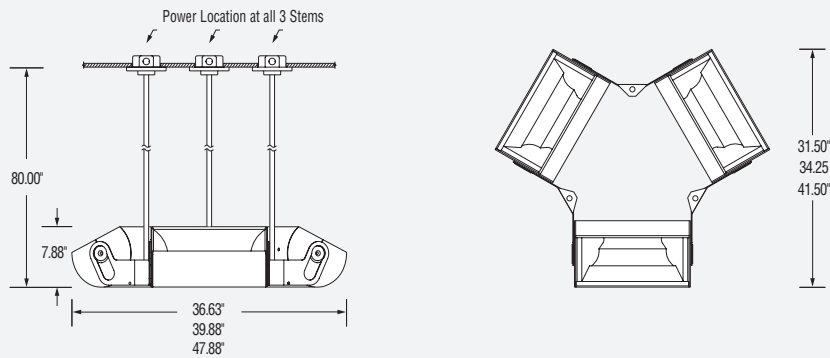
Single Pendant



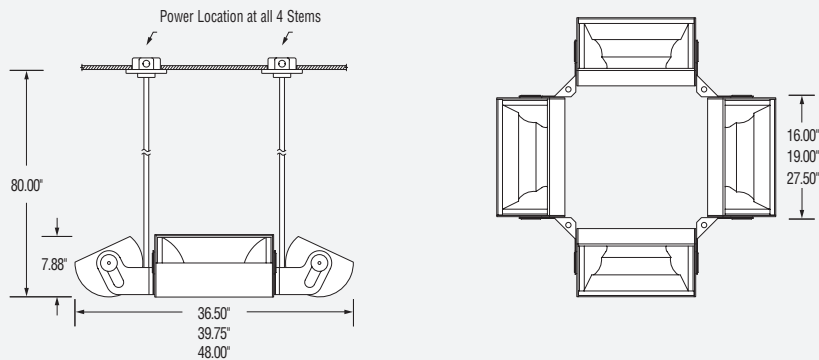
Double Pendant



Triple Pendant



Quad Pendant



ECHO 9.0

Integral Ballast

FT	PW	VG	Lamp Wattage Range	Lamp
			32-110W	FL
			175-400W	MH
				TH

SELECT STYLE

Mounting	Housing
EIP 3048	Single Extruded
EIP 3050	Single Perforated
EIP 3052	Single Solid
EIP 3054	Double Extruded
EIP 3056	Double Perforated
EIP 3058	Double Solid
EIP 3060	Triple Extruded
EIP 3062	Triple Perforated
EIP 3064	Triple Solid
EIP 3066	Quad Extruded
EIP 3068	Quad Perforated
EIP 3070	Quad Solid
EIP 3072	Single Extruded
EIP 3074	Single Perforated
EIP 3076	Single Solid
EIP 3078	Double Extruded
EIP 3080	Double Perforated
EIP 3082	Double Solid
EIP 3084	Triple Extruded
EIP 3086	Triple Perforated
EIP 3088	Triple Solid
EIP 3090	Quad Extruded
EIP 3092	Quad Perforated
EIP 3094	Quad Solid
EIP 3096	Single Extruded
EIP 3098	Double
EIP 3100	Triple
EIP 3102	Quad
EIP 3104	Single Extruded
EIP 3106	Single Perforated
EIP 3108	Single Solid
EIP 3110	Double Extruded
EIP 3112	Double Perforated
EIP 3114	Double Solid
EIP 3116	Triple Extruded
EIP 3118	Triple Perforated
EIP 3120	Triple Solid
EIP 3122	Quad Extruded
EIP 3124	Quad Perforated
EIP 3126	Quad Solid

SELECT LAMPING (Per Fixture Head)

Lamping Detail	
1F32	(1) 32W CFL Triple/GX24q
1F32DM	(1) 32W CFL Triple/GX24q DM
1F42	(1) 42W CFL Triple/GX24q
1F42DM	(1) 42W CFL Triple/GX24q DM
2F26	(2) 26W CFL Triple/GX24q
2F26DM	(2) 26W CFL Triple/GX24q DM
2F32	(2) 32W CFL Triple/GX24q
2F32DM	(2) 32W CFL Triple/GX24q DM
2F42	(2) 42W CFL Triple/GX24q
2F42DM	(2) 42W CFL Triple/GX24q DM
1M175	(1) 175W ED17 MH - Medium
1M250	(1) 250W ET18 MH - Mogul
1M400	(1) 400W ET18 MH - Mogul
1M250PS	(1) 250W T15 Pulse Start MH - Mogul
1M400PS	(1) 400W T15 Pulse Start MH - Mogul
2F40	(2) 40W TT FL/2G11
2F40DM*	(2) 40W TT FL/2G11 DM
2F50	(2) 50W TT FL/2G11
2F50DM*	(2) 50W TT FL/2G11 DM
2F55	(2) 55W TT FL/2G11
2F55DM*	(2) 55W TT FL/2G11 DM

SELECT OPTICAL PACKAGE

FT	Forward Throw
FT	Forward Throw
FT	Forward Throw
PW	Plane Wash
FT	Forward Throw

SELECT VOLTAGE

120
277

SELECT FINISH

PT_	Painted. (Include Paint Number)
-----	---------------------------------

See SPI Finish Selection Guide on pages 168-169.

Other voltages/frequencies are available. For additional details and options, see Technical Notes on page 166 or consult factory for information.

SELECT OPTIONS

CS	Cut-off Shield.
EMR	Remote emergency lighting option. (fluorescent lamping)
DCL	Dust Cover Lens. (fluorescent lamping)
EBL	External Blade Louver. (fluorescent lamping)
F	Fuse. (metal halide lamping)
Q'	Standby Quartz Lamping. (metal halide lamping)
OAH	Overall Height.

For further details on Options, see Technical Notes on page 165.

* Multiple head pendants will be provided with (1) one fixture head with the quartz restrike option.

* DCL option not available with this lamping.
 For additional lamping details and options, see Technical Notes on pages 16-161.
 Dimming ballast provides from 100% to 10% lumen output, <20%THD and start temperature of 10° C.

Reflections
Wall
Ceiling
Pendant

3.5
Wall
Ceiling
Pendant

5.0
Wall
Ceiling
Pendant
Pier
Cove
MRI
Shapes

6.0
Wall
Ceiling
Pendant
Pier
Cove
MRI

9.0
Wall
Ceiling
Pendant
Pier
Cove
MRI
Shapes

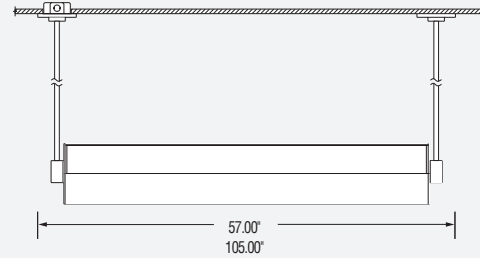
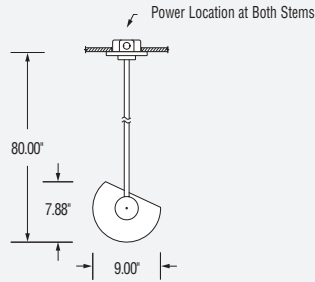
16.5
Wall
Pier
Pendant

Exterior

Lightruss

Interior Pendant Mount

Single Pendant



Specifications:

- **Extruded** - Extruded .156" aluminum housing.
- Cast aluminum end caps with flush-mounted fasteners.
- Housing is field adjustable for application specific aiming and can be mechanically locked in the desired position.
- Fluorescent luminaires have a die-formed, 85% reflective, low-iridescent, specular aluminum reflector.
- Pendant mount utilizes spun aluminum hubs with (2) 5/8" dia. steel stems. White plastic canopies mount to standard 4" junction boxes.
- Housing, endcaps, brackets and stems painted to match. Standard finish is thermoset polyester powder coat. All metal surfaces go through a 5-stage pretreatment process prior to powder coat application.
- Fluorescent luminaires utilize an integral, HPF electronic ballast with low harmonic distortion (<20%). Minimum starting temperature is 0° F. Ballasts are thermally protected and have a Class "A" sound rating.
- UL listed (U.S. and Canada) for damp locations. (Not for exterior use.)

Assistance Available: Please see our website, or call 262-242-1420 for more specific product information, applications assistance or modification requests.

ECHO 9.0

Integral Ballast

FT	PW	VG	Lamp Wattage Range	Lamp
<input type="radio"/>	<input type="radio"/>	<input type="radio"/>	64-440W	FL
<input type="radio"/>	<input type="radio"/>	<input type="radio"/>		MH
<input type="radio"/>	<input type="radio"/>	<input type="radio"/>		TH

SELECT STYLE

Mounting: Single Extruded

Housing: Single Extruded

SELECT LAMPING

Lamping Detail

2F32	(2) 32W T8 FL/T8 Med. Bipin
2F32DM	(2) 32W T8 FL/T8 Med. Bipin DM
4F40	(4) 40W TT FL/2G11
4F40DM*	(4) 40W TT FL/2G11 DM
4F50	(4) 50W TT FL/2G11
4F50DM*	(4) 50W TT FL/2G11 DM
4F55	(4) 55W TT FL/2G11
4F55DM*	(4) 55W TT FL/2G11 DM

SELECT OPTICAL PACKAGE

FT Forward Throw

SELECT VOLTAGE

120 277

SELECT FINISH

PT_ Painted. (Include Paint Number)

See SPI Finish Selection Guide on pages 168-169.

Other voltages/frequencies are available. For additional details and options, see Technical Notes on page 166 or consult factory for information.

SELECT OPTIONS

CS	Cut-off Shield.
F	Fuse.
DCL	Dust Cover Lens.
EBL	External Blade Louver.
EMI	Integral emergency.
EMR	Remote emergency.
OAH	Overall Height.

For further details on Options, see Technical Notes on page 165.

100'

EIP 3136 Single Extruded

2F59	(2) 59W T8 FL/T8 Med. Bipin
4F32	(4) 32W T8 FL/T8 Med. Bipin
4F32DM	(4) 32W T8 FL/T8 Med. Bipin DM
8F40	(8) 40W TT FL/2G11
8F40DM*	(8) 40W TT FL/2G11 DM
8F50	(8) 50W TT FL/2G11
8F50DM*	(8) 50W TT FL/2G11 DM
8F55	(8) 55W TT FL/2G11
8F55DM*	(8) 55W TT FL/2G11 DM

* DCL option not available with this lamping.
 For additional lamping details and options, see Technical Notes on pages 160-161.
 Dimming ballast provides from 100% to 10% lumen output, <20%THD and start temperature of 10° C.

Reflections
Wall
Ceiling
Pendant

3.5
Wall
Ceiling
Pendant
Pier
Cove
MRI
Shapes

5.0
Wall
Ceiling
Pendant
Pier
Cove
MRI
Shapes

6.0
Wall
Ceiling
Pendant
Pier
Cove
MRI
Shapes

9.0
Wall
Ceiling
Pendant
Pier
Cove
MRI
Shapes

16.5
Wall
Pier
Pendant

Exterior

Lightruss