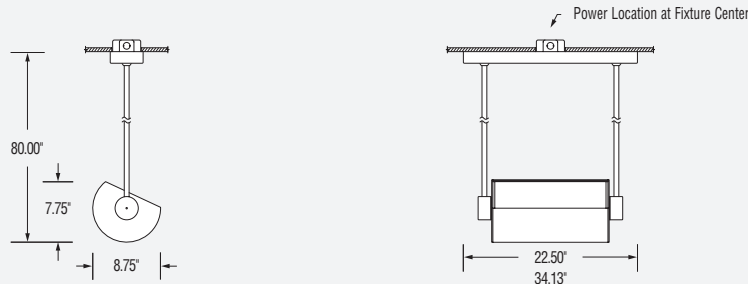
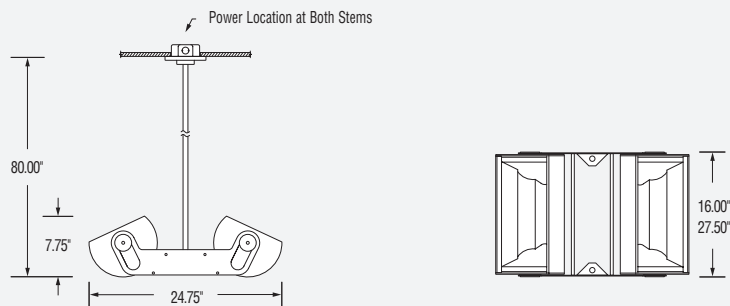


Interior Pendant Mount

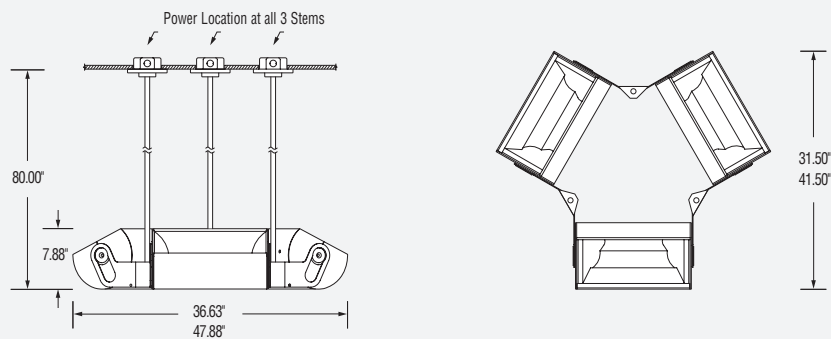
Single Pendant



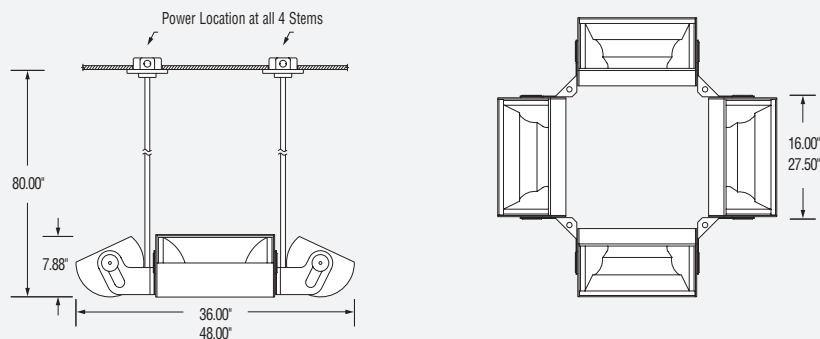
Double Pendant



Triple Pendant



Quad Pendant



Specifications:

- **Extruded** - Extruded .156" aluminum housing.
- **Solid** - Roll-formed .05" aluminum housing.
- **Perforated** - Roll-formed, perforated 18 gauge steel housing.
- Cast aluminum end caps with flush-mounted fasteners.
- Housing is field adjustable for application specific aiming and can be mechanically locked in the desired position.
- H.I.D. and Tungsten Halogen luminaires utilize a segmented, 95% reflective, specular clear, aluminum reflector. Impact and heat-resistant, tempered glass lens.
- Pendant mount utilizes spun aluminum hubs with (2) 5/8" dia. steel stems. Steel canopy mounts to standard 4" junction box.
- Double, Triple and Quad Pendants have yoke brackets die-formed from 14 gauge steel with 2, 3, or 4 stems. 5/8" dia. steel stems. White plastic canopies mount to standard 4" junction boxes.
- Housing, endcaps, brackets and stems painted to match. Standard finish is thermoset polyester powder coat. All metal surfaces go through a 5-stage pretreatment process prior to powder coat application.
- H.I.D. remote-mount ballasts are encased and potted, magnetic CWA-HPF design (120/277 volt operation). Ballasts are thermally protected and have a Class "B" sound rating for 175W MH. Class "C" for 250W and 400W.
- UL listed (U.S. and Canada) for damp locations. (Not for exterior use.)

Assistance Available: Please see our website, or call 262-242-1420 for more specific product information, applications assistance or modification requests.

FT	PW	VG	Lamp Wattage Range	Lamp
				FL
			175-800W	MH
			500-1000W	TH

SELECT STYLE

	Mounting	Housing
EIP 3000	Single	Extruded
EIP 3002	Single	Perforated
EIP 3004	Single	Solid
EIP 3006	Double	Extruded
EIP 3008	Double	Perforated
EIP 3010	Double	Solid
EIP 3012	Triple	Extruded
EIP 3014	Triple	Perforated
EIP 3016	Triple	Solid
EIP 3018	Quad	Extruded
EIP 3020	Quad	Perforated
EIP 3022	Quad	Solid
EIP 3024	Single	Extruded
EIP 3026	Single	Perforated
EIP 3028	Single	Solid
EIP 3030	Double	Extruded
EIP 3032	Double	Perforated
EIP 3034	Double	Solid
EIP 3036	Triple	Extruded
EIP 3038	Triple	Perforated
EIP 3040	Triple	Solid
EIP 3042	Quad	Extruded
EIP 3044	Quad	Perforated
EIP 3046	Quad	Solid

SELECT LAMPING (Per Fixture Head)

	Lamping Detail
1M175	(1) 175W ED17 MH - Medium
1M250	(1) 250W ET18 MH - Mogul
1M400	(1) 400W ET18 MH - Mogul
2T250 ²	(1) 250W T4 DC BAY QTZ
1M250PS	(1) 250W T15 Pulse Start MH - Mogul
1M400PS	(1) 400W T15 Pulse Start MH - Mogul
2M250	(2) 250W ET18 MH - Mogul
2M400	(2) 400W ET18 MH - Mogul
2T500 ^{2,5,6}	(2) 500W T4 DC BAY QTZ
2M250PS	(2) 250W T15 Pulse Start MH - Mogul
2M400PS	(2) 400W T15 Pulse Start MH - Mogul

² 120 volt only
⁵ Not available with plane wash optics.
⁶ Perforated housing only.
For additional lamping details and options, see Technical Notes on pages 160-161.

SELECT OPTICAL PACKAGE

FT	Forward Throw
PW	Plane Wash

SELECT VOLTAGE

120
277

Other voltages/frequencies are available. For additional details and options, see Technical Notes on page 166 or consult factory for information.

SELECT FINISH

PT_	Painted. (Include Paint Number)
-----	---------------------------------

See SPI Finish Selection Guide on pages 168-169.

SELECT OPTIONS

CS	Cut-off Shield.
RPI	Remote ballast support tray. (metal halide lamping)
F	Fuse. (metal halide lamping)
Q ⁷	Standby Quartz Lamping.
OAH	Overall Height.

For further details on Options, see Technical Notes on page 165.

⁷ Multiple head pendants will be provided with (1) one fixture head with the quartz restrike option.

16"

27.5"

Reflections
Wall
Ceiling
Pendant

3.5
Wall
Ceiling
Pendant

5.0
Wall
Ceiling
Pendant
Pier
Cove
MRI
Shapes

6.0
Wall
Ceiling
Pendant
Pier
Cove
MRI

9.0
Wall
Ceiling
Pendant
Pier
Cove
MRI
Shapes

16.5
Wall
Pier
Pendant

Exterior

Lightruss