

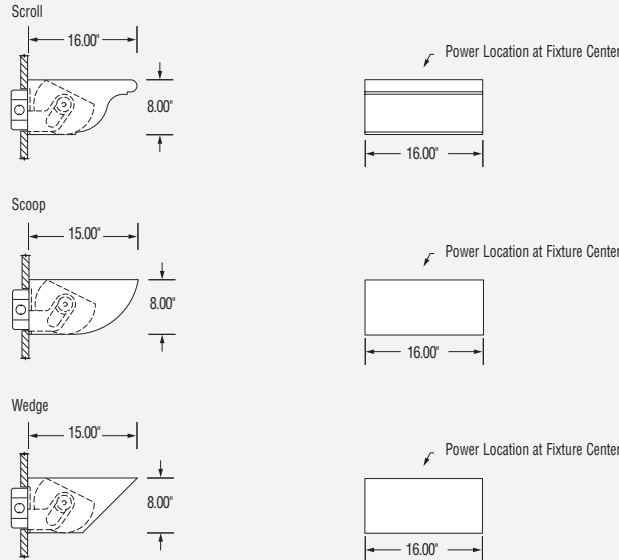
Interior Wall Mount - Shapes

Specifications:

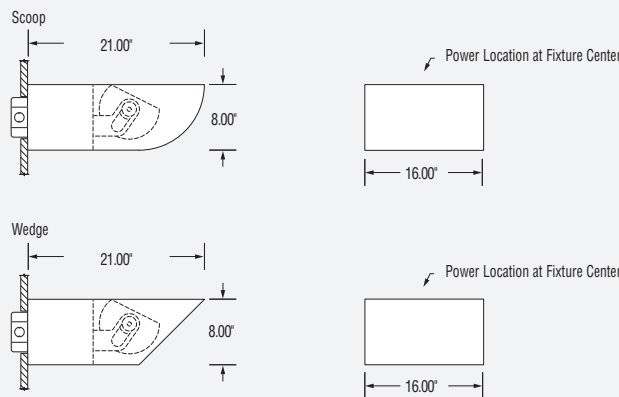
- The remote-ballasted Shapes™ have an outer housing die-formed from 18 gauge steel with an inner housing rolled-formed from 18 gauge perforated steel with cast aluminum end caps.
- The integrally-ballasted Shapes™ have an 18 gauge, die-formed outer housing. The inner housing is roll-formed aluminum with cast aluminum endcaps.
- Housing is field adjustable for application specific aiming and can be mechanically locked in the desired position.
- H.I.D. luminaires utilize a segmented, 95% reflective, specular clear, aluminum reflector. Impact and heat-resistant, tempered glass lens.
- The lens for the remote- ballasted Shapes™ is hinged.
- Power Tray™ integral ballast is a multi-tap 120/208/240/277 volt (480 optional), open core and coil magnetic ballast with all components installed on a tray, pre-wired with quick-connect plugs for ease of installation and maintenance. Ballast is thermally protected and has a Class "C" sound rating.
- Remote H.I.D. ballasts are encased and potted, magnetic CWA HPF design (120/277 volt operation). Ballasts are thermally protected and have a Class "B" sound rating for 175W, and Class "C" for 250W and 400W.
- Housing, endcaps, and brackets painted to match. Standard finish is thermoset polyester powder coat. All metal surfaces go through a 5-stage pretreatment process prior to powder coat application.
- Shapes™ is surface-mounted over a standard 4" junction box.
- UL listed (U.S. and Canada) for damp locations. (Not for exterior use.)

Assistance Available: Please see our website, or call 262-242-1420 for more specific product information, applications assistance or modification requests.

Remote Ballast



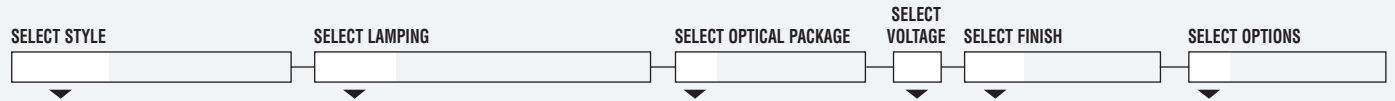
Power Tray - Integral Ballast



ECHO 9.0

Remote or Integral Ballast

FT	PW	VG	Lamp Wattage Range	Lamp
				FL
			175-400W	MH
				TH



Remote Ballast

	Mounting	Housing
EIW 3144	Wall	Scroll
EIW 3146	Wall	Scoop
EIW 3148	Wall	Wedge

	Lamping Detail
1M175	(1) 175W ED17 MH - Medium
1M250	(1) 250W ET18 MH - Mogul
1M250PS	(1) 250W T15 Pulse Start MH - Mogul
1M400	(1) 400W ET18 MH - Mogul
1M400PS	(1) 400W T15 Pulse Start MH - Mogul

FT	Forward Throw
PW	Plane Wash

120
277

PT	Painted. (Include Paint Number)
----	---------------------------------

See SPI Finish Selection Guide on pages 168-169.

Other voltages/frequencies are available. For additional details and options, see Technical Notes on page 166 or consult factory for information.

RPI	Remote ballast support tray.
F	Fuse.
Q	Standby Quartz Lamping.

For further details on Options, see Technical Notes on page 165.

Integral Ballast

	Mounting	Housing
EIW 3150	Wall	Scoop
EIW 3152	Wall	Wedge

	Lamping Detail
1M175	(1) 175W ED17 MH - Medium
1M250	(1) 250W ET18 MH - Mogul
1M250PS	(1) 250W T15 Pulse Start MH - Mogul
1M400	(1) 400W ET18 MH - Mogul
1M400PS	(1) 400W T15 Pulse Start MH - Mogul

For additional lamping details and options, see Technical Notes on pages 160-161.

- Reflections
- Wall
- Ceiling
- Pendant
- 3.5
- Wall
- Ceiling
- Pendant
- 5.0
- Wall
- Ceiling
- Pendant
- Pier
- Cove
- MRI
- Shapes
- 6.0
- Wall
- Ceiling
- Pendant
- Pier
- Cove
- MRI
- 9.0
- Wall
- Ceiling
- Pendant
- Pier
- Cove
- MRI
- Shapes
- 16.5
- Wall
- Pier
- Pendant
- Exterior
- Lightruss