

# Quarter Sphere

performance architectural lighting



PIW1040  
Painted-White



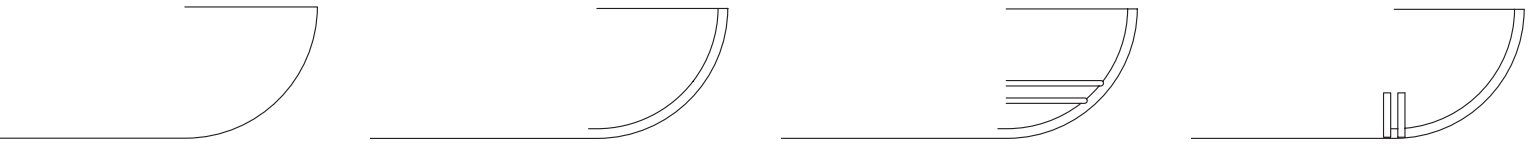
PIW1042  
Painted-White  
with Brushed Brass Over Steel Accent



PIW1044  
Painted-White  
with Brushed Brass Over Steel Accent



PIW1046  
Painted-White  
with Brushed Brass Over Steel Accent



PIW1030  
Acrylic with Brushed Brass Over Steel Accent



PIW1032  
Acrylic with Brushed Brass Over Steel Accent



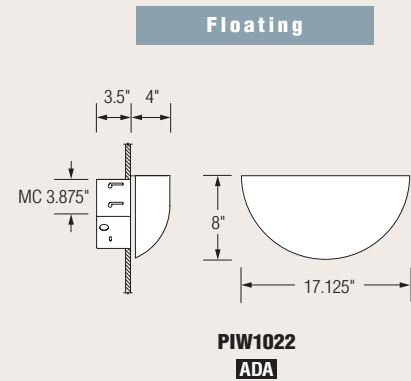
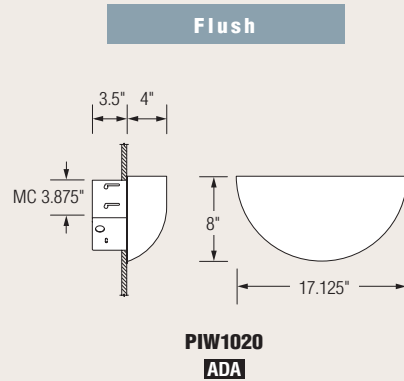
PIW1050  
Painted-White



PIW1034  
Acrylic with Brushed Brass Over Steel Accent

# Quarter Sphere Recessed Sconce

PHACES



**MC** = Mounting Center

## Specifications:

- 18 gauge formed cold-rolled steel housing
- ADA compliant
- Back box rated for through branch wiring
- Universal mounting bracket for new construction or remodeling
- Integral ballast
- Ballast thermally protected
- UL listed for damp locations. (Not recommended for exterior use.)

Design modification rights reserved.



A, B, C  
Wide  
Indirect

Sample model number: **PIW1020 - 1F42 - 120 - PT01 - TL**

Select Style	Select any Lamping (indirect/bowl illumination)	Lamping Detail (indirect - bowl illumination)	Optical Pkg. Photometry	Select Voltage	Select Finish	Select Options
<p><b>PIW1020</b></p> <p><b>PIW1022</b></p>	<p><b>1T150</b></p> <p><b>1F32</b></p> <p><b>1F32DM</b></p> <p><b>1F42</b></p> <p><b>1F42DM</b></p> <p><b>1M50PSC</b></p> <p><b>1M70PSC</b></p> <p><b>1M100PSC</b></p> <p><b>1M150PSC</b></p>	<p>(1) 150W T10 QTZ</p> <p>(1) CFTR32W/GX24q</p> <p>(1) CFTR32W/GX24q (w/DIMMING)</p> <p>(1) CFTR42W/GX24q</p> <p>(1) CFTR42W/GX24q (w/DIMMING)</p> <p>(1) 50W ED17 PULSE START CERAMIC MH</p> <p>(1) 70W ED17 PULSE START CERAMIC MH</p> <p>(1) 100W ED17 PULSE START CERAMIC MH</p> <p>(1) 150W ED17 PULSE START CERAMIC MH</p>	<p>A E62-1</p> <p>B E65-1</p> <p>B E65-1</p> <p>B E65-1</p> <p>B E65-1</p> <p>C E67-1</p> <p>C E67-1</p> <p>C E67-1</p> <p>C E67-1</p>	<p><b>120</b></p> <p><b>277</b></p>	<p><b>PT__</b> Painted. (Include Paint Number.)</p> <p><i>See Finish Selection Guide, pages 268-269.</i></p>	<p><b>TL</b> Top Lens. Clear tempered glass. Standard on 1T150 lamping. Not available for 1M150 lamping. 1M100 lamping requires Surface Diffuser (<b>SD</b>) option.</p> <p><b>SD</b> Anodized aluminum surface diffuser; standard with 1M150.</p> <p><b>F</b> Fuse option. Factory installed.</p> <p><b>EMI</b> Integral Emergency Lighting. Fluorescent only. Battery lumen packages 650 and below.</p> <p><b>EMR</b> Remote Emergency Lighting. Fluorescent only. Required for battery lumen packages greater than 650.</p> <p><b>Q</b> Quartz Stand-by Lighting (metal halide lamps only). Quartz lamps are 25 watt maximum.</p> <p><b>QS</b> Quartz Socket (for use with inverter system by others). Quartz lamps are 25 watt maximum.</p> <p><b>MEB</b> Electronic ballast (MH lamping.)</p> <p><b>MB24</b> 24" Mounting Brackets</p> <p><i>For further detail on options, see Technical Notes on page 266.</i></p>

**DM** = Dimming ballast(s) provided

**OPTICAL PACKAGES**

