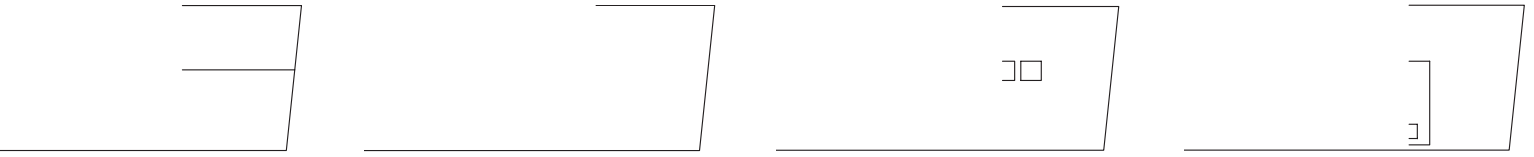


# Scoop

performance architectural lighting





PIW1000  
Painted-White



PIW1004  
Painted-White



PIW1006  
Painted-White



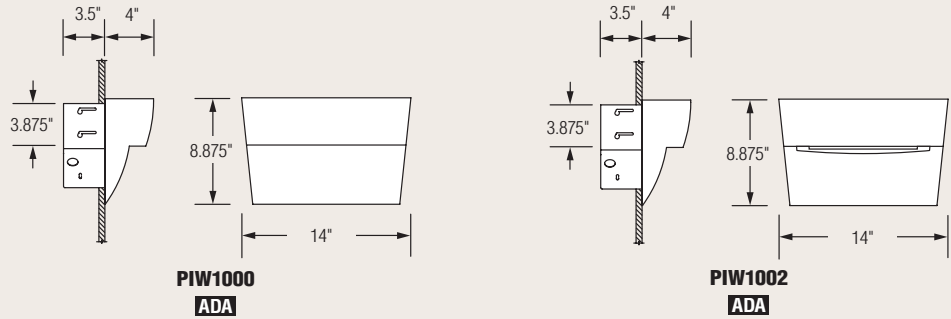
PIW1008  
Painted-White with Brushed Brass Over Steel Accent

# Scoop Recessed Sconce

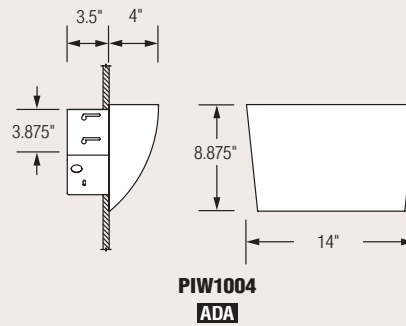
PHACES

# 14"

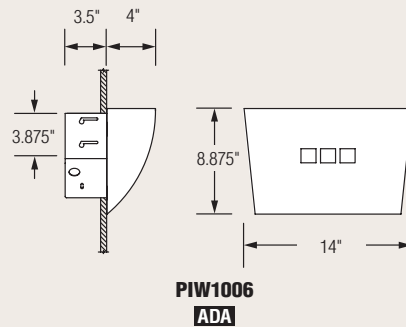
## Stepped



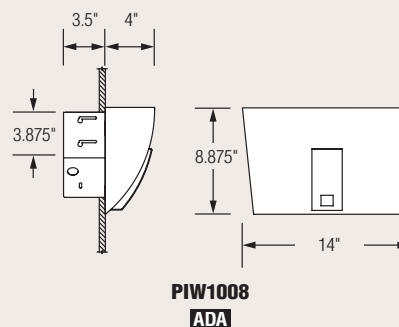
## Scoop



## Scoop with Window



## Scoop with Accent



### Specifications:

- 18 gauge formed cold-rolled steel housing
- ADA compliant
- Back box rated for through branch circuit wiring
- Universal mounting bracket for new construction or remodeling
- Integral ballast
- Ballast thermally protected
- UL listed for damp locations. (Not recommended for exterior use.)

Design modification rights reserved.



A, B, C  
Wide Indirect

Sample model number: **PIW1002 - 1M50PSC - 120 - PT03 - PBST - TL**

Select Style  Select any Lamping (indirect/bowl illumination)  Select Voltage  Select Finish  Select Accent Finish\*  Select Options

- PIW1000
- PIW1002
- PIW1004
- PIW1006
- PIW1008

|                 | Lamping Detail (indirect - bowl illumination) | Optical Pkg. Photometry |
|-----------------|-----------------------------------------------|-------------------------|
| <b>1T150</b>    | (1) 150W T10 QTZ                              | A E62-1                 |
| <b>1F32</b>     | (1) CFTR32W/GX24q                             | B E65-1                 |
| <b>1F32DM</b>   | (1) CFTR32W/GX24q                             | B E65-1                 |
| <b>1F42</b>     | (1) CFTR42W/GX24q                             | B E65-1                 |
| <b>1F42DM</b>   | (1) CFTR42W/GX24q                             | B E65-1                 |
| <b>1M50PSC</b>  | (1) 50W ED17 PULSE START CERAMIC MH           | C E67-1                 |
| <b>1M70PSC</b>  | (1) 70W ED17 PULSE START CERAMIC MH           | C E67-1                 |
| <b>1M100PSC</b> | (1) 100W ED17 PULSE START CERAMIC MH          | C E67-1                 |
| <b>1M150PSC</b> | (1) 150W ED17 PULSE START CERAMIC MH          | C E67-1                 |

DM = Dimming ballast(s) provided

|            |                                            |
|------------|--------------------------------------------|
| <b>120</b> | <b>PT</b> Painted. (Include Paint Number.) |
| <b>277</b> |                                            |

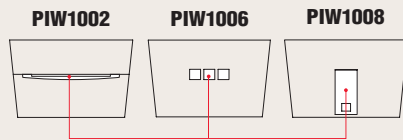
|                                            |
|--------------------------------------------|
| <b>PT</b> Painted. (Include Paint Number.) |
| <b>ABST</b> Antique brass over steel       |
| <b>BBST</b> Brushed brass over steel       |
| <b>CPST</b> Polished chrome over steel     |
| <b>PBST</b> Polished brass over steel      |

See Finish Selection Guide, pages 268-269.

\*Not required for PIW1000 and 1004.

|             |                                                                                                                                                           |
|-------------|-----------------------------------------------------------------------------------------------------------------------------------------------------------|
| <b>TL</b>   | Top Lens. Clear tempered glass. Standard on 1T150 lamping. Not available for 1M150 lamping. 1M100 lamping requires Surface Diffuser ( <b>SD</b> ) option. |
| <b>F</b>    | Fuse option. Factory installed.                                                                                                                           |
| <b>SD</b>   | Anodized aluminum surface diffuser; standard with 1M150.                                                                                                  |
| <b>EMI</b>  | Integral Emergency Lighting. Fluorescent only. Battery lumen packages 650 and below.                                                                      |
| <b>EMR</b>  | Remote Emergency Lighting. Fluorescent only. Required for battery lumen packages greater than 650.                                                        |
| <b>Q</b>    | Quartz Stand-by Lighting (metal halide lamps only). Quartz lamps are 25 watt maximum.                                                                     |
| <b>QS</b>   | Quartz Socket (for use with inverter system by others). Quartz lamps are 25 watt maximum.                                                                 |
| <b>MEB</b>  | Electronic ballast (MH lamping.)                                                                                                                          |
| <b>MB24</b> | 24" Mounting Brackets                                                                                                                                     |

For further detail on options, see Technical Notes on page 266.



Add **Accent Finish** to specify finish of accent element.

**OPTICAL PACKAGES**

