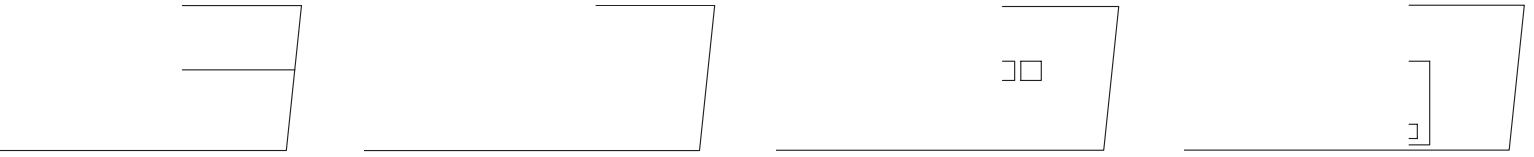


Scoop

performance architectural lighting





PIW1000
Painted-White



PIW1002
Painted-White



PIW1004
Painted-White



PIW1006
Painted-White with Brushed Brass Over Steel Accent

Scoop Surface Mount Sconce

PHACES

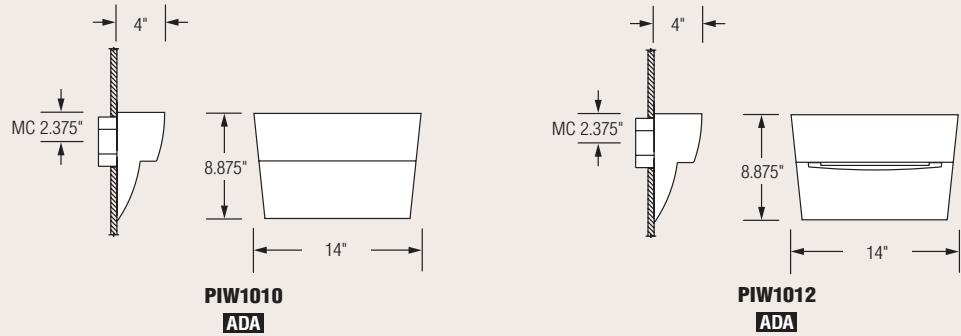
14"

Specifications:

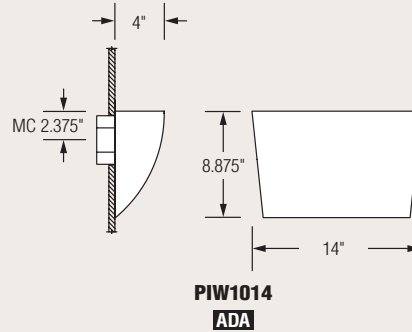
- 18 gauge formed cold-rolled steel housing
- ADA compliant
- Integral ballast
- Ballast thermally protected
- Universal mounting holes and direct access to a standard 4" octagonal junction box.
- UL listed for damp locations. (Not recommended for exterior use.)

Design modification rights reserved.

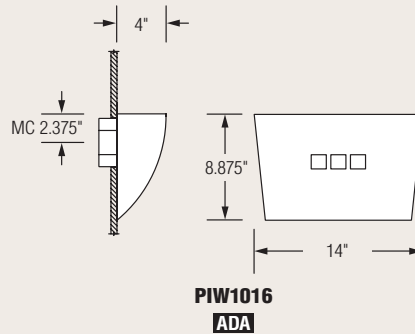
Stepped



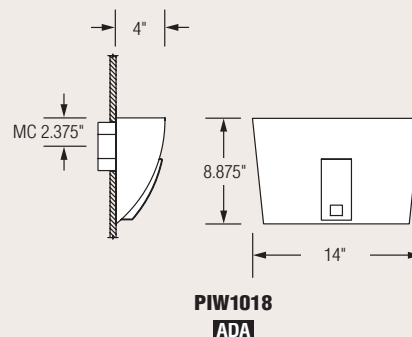
Scoop



Scoop with Window



Scoop with Accent



MC = Mounting Center

Sample model number: **PIW1012 - 1F42 - 120 - PT03 - PBST - TL**

Select Style	Select any Lamping (indirect/bowl illumination)	Select Voltage	Select Finish	Select Accent Finish*	Select Options
PIW1010	1N150 (1) 150W A21 INC	120	PT__ Painted. (Include Paint Number.)	PT__ Painted. (Include Paint Number.)	TL Top Lens. Clear tempered glass. Standard on 1T150 lamping.
PIW1012	1F13 (1) CFQ13W/G24q	277		ABST Antique brass over steel	F Fuse option. Factory installed.
PIW1014	1F26 (1) CFQ26W/G24q			BBST Brushed brass over steel	EMI Integral Emergency Lighting. Use with RAB - recessed accessory box. Fluorescent only. Battery lumen packages 650 and below.
PIW1016	1F26DM (1) CFQ26W/G24q			CPST Polished chrome over steel	EMR Remote Emergency Lighting. Fluorescent only. Required for battery lumen packages greater than 650.
PIW1018	1F32 (1) CFTR32W/G24q			PBST Polished brass over steel	RAB Recessed Accessory Box. Required with DM and EMI options.
	1F32DM (1) CFTR32W/G24q				
	1F42 (1) CFTR42W/G24q				
	1F42DM (1) CFTR42W/G24q				
	2N75 (2) 75W A19 INC				
	2F13 (2) CFQ13W/G24q				
	2F26 (2) CFQ26W/G24q				

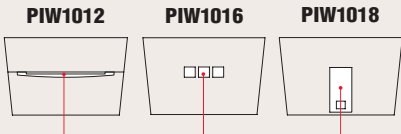
DM = Dimming ballast(s) provided (Requires **RAB** option.)

If Photometry is not available, consult factory for further details.

See Finish Selection Guide, pages 268-269.

***Not required for PIW1010 and 1014.**

For further detail on options, see Technical Notes on page 266.



Add **Accent Finish** to specify finish of accent element.

OPTICAL PACKAGES

