

Swept Chandeliers



RIP1934
Polished Brass



RIP1922
Polished Brass

24" 32"

Bullnose Trim



RIP1926
Polished Brass



RIP1930
Polished Brass

Swept Chandeliers-24"

RENAISSANCE

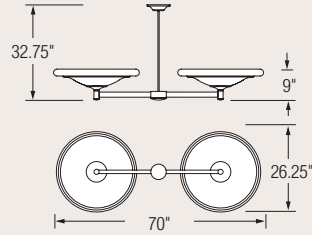
24"

Specifications:

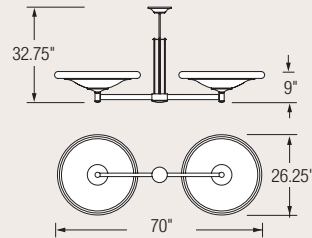
- Trim rings are spun from .063" thick base material (brass or aluminum) or 18 gauge steel (plated or painted).
- Chassis is formed from 18 gauge cold-rolled steel.
- 3/8 IP (.688" dia.) stem with a 1/2 IP (.875" dia.) sleeve
- Formed acrylic bowl with a minimum wall thickness of .118". Opal finish is standard.
- Hinged optical tray for easy replacement of lamps and ballasts without removal of the bowl.
- Integral fluorescent ballasts are HPF electronic with low harmonic distortion.
- Ballasts are thermally protected and have Class "A" sound rating.
- Inner steel support bracket attaches to 4" octagonal box.
- 45° swivel canopy is standard and meets all earthquake related codes.
- UL listed (US and Canada) for damp locations. (Not recommended for exterior use.)

Design modification rights reserved.

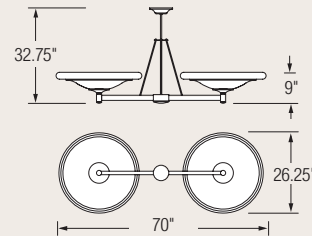
Bullnose Trim 2-Bowl



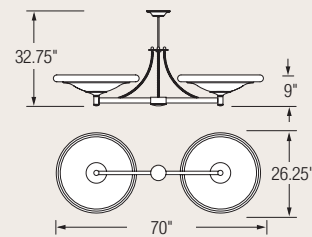
RIP1920



RIP1924

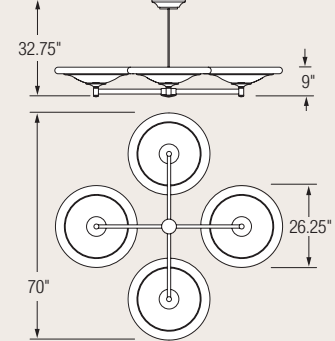


RIP1928

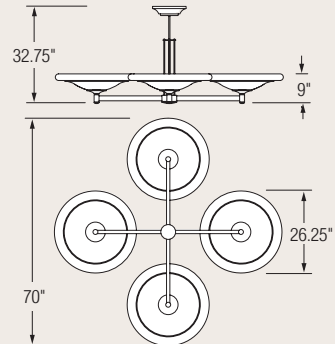


RIP1932

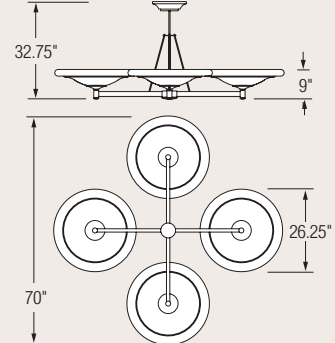
Bullnose Trim 4-Bowl



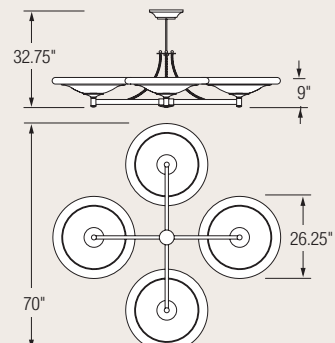
RIP1940



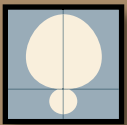
RIP1944



RIP1948



RIP1952



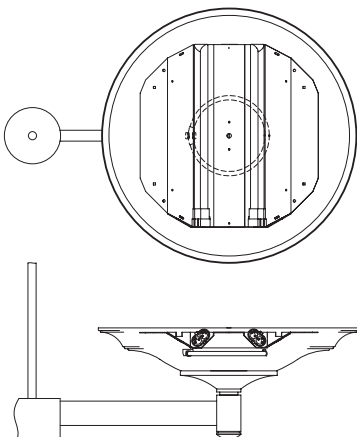
A
Symmetrical
Indirect

Sample model number: **RIP1920 - 2F39/1F22 - 120 - BAL - HP02**

Select Style	Select any Lamping (indirect/bowl illumination)	Select Voltage	Select Finish	Select Options																																																		
<p>2-BOWL</p> <p>RIP1920</p> <p>RIP1924</p> <p>RIP1928</p> <p>RIP1932</p> <p>4-BOWL</p> <p>RIP1940</p> <p>RIP1944</p> <p>RIP1948</p> <p>RIP1952</p>	<table border="1"> <thead> <tr> <th>Lamping Detail (indirect - bowl illumination)</th> <th>Optical Pkg.</th> <th>Photometry</th> </tr> </thead> <tbody> <tr> <td>2F27 / 1F22 (2) FT27W/2G11 - 22W CIRC T5</td> <td>A</td> <td>E433-71</td> </tr> <tr> <td>2F39 / 1F22 (2) FT39W/2G11 - 22W CIRC T5</td> <td>A</td> <td>E433-71</td> </tr> <tr> <td>2F39DM / 1F22 (2) FT39W/2G11 - 22W CIRC T5</td> <td>A</td> <td>E433-71</td> </tr> </tbody> </table> <p>DM = Dimming ballast(s) provided The lamping is per bowl of the Chandelier.</p>	Lamping Detail (indirect - bowl illumination)	Optical Pkg.	Photometry	2F27 / 1F22 (2) FT27W/2G11 - 22W CIRC T5	A	E433-71	2F39 / 1F22 (2) FT39W/2G11 - 22W CIRC T5	A	E433-71	2F39DM / 1F22 (2) FT39W/2G11 - 22W CIRC T5	A	E433-71	<p>120</p> <p>277</p>	<table border="1"> <tbody> <tr> <td>PT ___</td> <td>Painted. (Include Paint Number.)</td> </tr> <tr> <td>PBR</td> <td>Polished solid brass</td> </tr> <tr> <td>BBR</td> <td>Brushed solid brass</td> </tr> <tr> <td>ABR</td> <td>Antique solid brass</td> </tr> <tr> <td>CPBR</td> <td>Chrome plated polished brass</td> </tr> <tr> <td>BAL</td> <td>Brushed aluminum</td> </tr> <tr> <td>ABST</td> <td>Antique brass over steel</td> </tr> <tr> <td>BBST</td> <td>Brushed brass over steel</td> </tr> <tr> <td>CPST</td> <td>Polished chrome over steel</td> </tr> <tr> <td>PBST</td> <td>Polished brass over steel</td> </tr> </tbody> </table> <p><i>See Finish Selection Guide, pages 268-269.</i></p>	PT ___	Painted. (Include Paint Number.)	PBR	Polished solid brass	BBR	Brushed solid brass	ABR	Antique solid brass	CPBR	Chrome plated polished brass	BAL	Brushed aluminum	ABST	Antique brass over steel	BBST	Brushed brass over steel	CPST	Polished chrome over steel	PBST	Polished brass over steel	<table border="1"> <tbody> <tr> <td>OAH ___</td> <td>Pendant length other than standard. (Provide fixture height in inches.)</td> </tr> <tr> <td>F</td> <td>Fuse option</td> </tr> <tr> <td>EMR</td> <td>Emergency ballast(s) remote</td> </tr> <tr> <td>SBA</td> <td>Sandblasted acrylic</td> </tr> <tr> <td>SAV</td> <td>Traditional ballast canopy</td> </tr> <tr> <td>SS</td> <td>Separate switching</td> </tr> <tr> <td>HP01</td> <td>Silver hand-painted acrylic</td> </tr> <tr> <td>HP02</td> <td>Beige hand-painted acrylic</td> </tr> <tr> <td>HP03</td> <td>Amber hand-painted acrylic</td> </tr> </tbody> </table> <p><i>For further detail on options, see Technical Notes on page 264.</i></p>	OAH ___	Pendant length other than standard. (Provide fixture height in inches.)	F	Fuse option	EMR	Emergency ballast(s) remote	SBA	Sandblasted acrylic	SAV	Traditional ballast canopy	SS	Separate switching	HP01	Silver hand-painted acrylic	HP02	Beige hand-painted acrylic	HP03	Amber hand-painted acrylic
Lamping Detail (indirect - bowl illumination)	Optical Pkg.	Photometry																																																				
2F27 / 1F22 (2) FT27W/2G11 - 22W CIRC T5	A	E433-71																																																				
2F39 / 1F22 (2) FT39W/2G11 - 22W CIRC T5	A	E433-71																																																				
2F39DM / 1F22 (2) FT39W/2G11 - 22W CIRC T5	A	E433-71																																																				
PT ___	Painted. (Include Paint Number.)																																																					
PBR	Polished solid brass																																																					
BBR	Brushed solid brass																																																					
ABR	Antique solid brass																																																					
CPBR	Chrome plated polished brass																																																					
BAL	Brushed aluminum																																																					
ABST	Antique brass over steel																																																					
BBST	Brushed brass over steel																																																					
CPST	Polished chrome over steel																																																					
PBST	Polished brass over steel																																																					
OAH ___	Pendant length other than standard. (Provide fixture height in inches.)																																																					
F	Fuse option																																																					
EMR	Emergency ballast(s) remote																																																					
SBA	Sandblasted acrylic																																																					
SAV	Traditional ballast canopy																																																					
SS	Separate switching																																																					
HP01	Silver hand-painted acrylic																																																					
HP02	Beige hand-painted acrylic																																																					
HP03	Amber hand-painted acrylic																																																					

OPTICAL PACKAGES

A
Symmetrical Indirect



Swept Chandeliers-32"

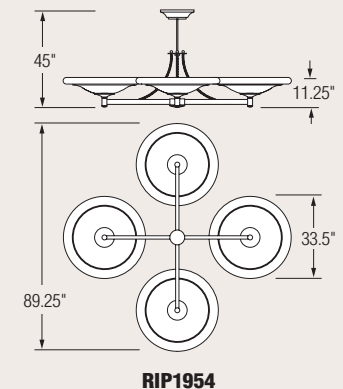
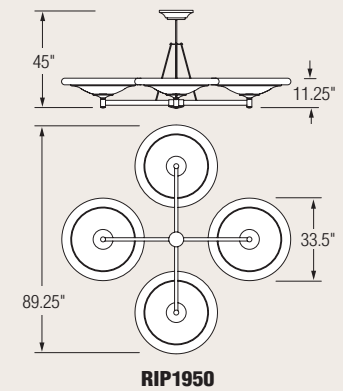
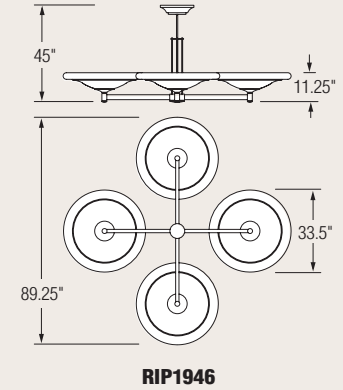
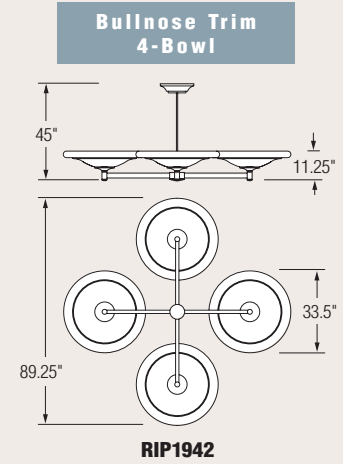
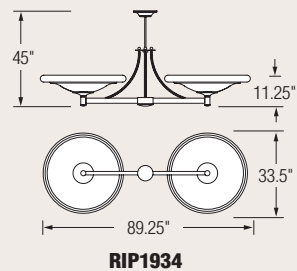
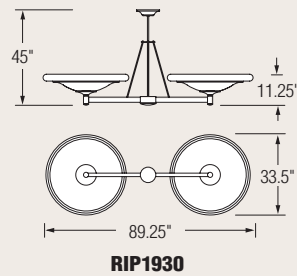
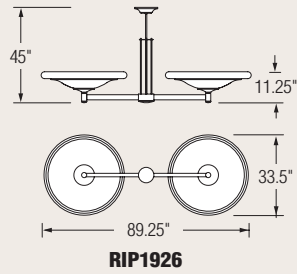
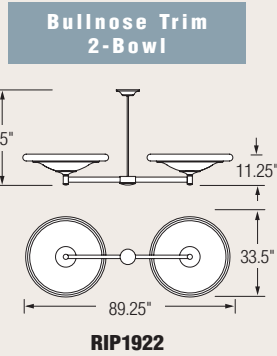
RENAISSANCE

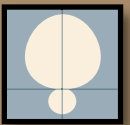
32"

Specifications:

- Trim rings are spun from .063" thick base material (brass or aluminum) or 18 gauge steel (plated or painted).
- Chassis is formed from 18 gauge cold-rolled steel.
- 3/8 IP (.688" dia.) stem with a 1/2 IP (.875" dia.) sleeve.
- Formed acrylic bowl with a minimum wall thickness of .118". Opal finish is standard.
- Hinged optical tray for easy replacement of lamps and ballasts without removal of the bowl.
- Integral fluorescent ballasts are HPF electronic with low harmonic distortion.
- Ballasts are thermally protected and have Class "A" sound rating.
- Inner steel support bracket attaches to 4" octagonal box.
- 45° swivel canopy is standard and meets all earthquake related codes.
- UL listed (US and Canada) for damp locations. (Not recommended for exterior use.)

Design modification rights reserved.





A
Symmetrical
Indirect

Sample model number: **RIP1922 - 6F55/1F40 - 120 - BAL - HP02**

Select Style	Select any Lamping (indirect/bowl illumination)	Select Voltage	Select Finish	Select Options																																																				
<p>RIP1922</p> <p>RIP1926</p> <p>RIP1930</p> <p>RIP1934</p> <p>RIP1942</p> <p>RIP1946</p> <p>RIP1950</p> <p>RIP1954</p>	<table border="1"> <thead> <tr> <th>Lamping Detail (indirect - bowl illumination)</th> <th>Optical Pkg.</th> <th>Photometry</th> </tr> </thead> <tbody> <tr> <td>6F40 / 1F40¹ (6) FT40W/2G11 - 40W CIRC T5</td> <td>A</td> <td>E433-87</td> </tr> <tr> <td>6F40DM / 1F40¹ (6) FT40W/2G11 - 40W CIRC T5</td> <td>A</td> <td>E433-87</td> </tr> <tr> <td>6F55 / 1F40¹ (6) FT55W/2G11 - 40W CIRC T5</td> <td>A</td> <td>E433-87</td> </tr> </tbody> </table> <p>DM = Dimming ballast(s) provided</p> <p>¹Denotes lamping options available with EMI</p> <p>The lamping is per bowl of the Chandelier.</p>	Lamping Detail (indirect - bowl illumination)	Optical Pkg.	Photometry	6F40 / 1F40¹ (6) FT40W/2G11 - 40W CIRC T5	A	E433-87	6F40DM / 1F40¹ (6) FT40W/2G11 - 40W CIRC T5	A	E433-87	6F55 / 1F40¹ (6) FT55W/2G11 - 40W CIRC T5	A	E433-87	<p>120</p> <p>277</p>	<table border="1"> <tbody> <tr> <td>PT__</td> <td>Painted. (Include Paint Number.)</td> </tr> <tr> <td>PBR</td> <td>Polished solid brass</td> </tr> <tr> <td>BBR</td> <td>Brushed solid brass</td> </tr> <tr> <td>ABR</td> <td>Antique solid brass</td> </tr> <tr> <td>CPBR</td> <td>Chrome plated polished brass</td> </tr> <tr> <td>BAL</td> <td>Brushed aluminum</td> </tr> <tr> <td>ABST</td> <td>Antique brass over steel</td> </tr> <tr> <td>BBST</td> <td>Brushed brass over steel</td> </tr> <tr> <td>CPST</td> <td>Polished chrome over steel</td> </tr> <tr> <td>PBST</td> <td>Polished brass over steel</td> </tr> </tbody> </table> <p><i>See Finish Selection Guide, pages 268-269.</i></p>	PT __	Painted. (Include Paint Number.)	PBR	Polished solid brass	BBR	Brushed solid brass	ABR	Antique solid brass	CPBR	Chrome plated polished brass	BAL	Brushed aluminum	ABST	Antique brass over steel	BBST	Brushed brass over steel	CPST	Polished chrome over steel	PBST	Polished brass over steel	<table border="1"> <tbody> <tr> <td>OAH__</td> <td>Pendant length other than standard. (Provide fixture height in inches.)</td> </tr> <tr> <td>F</td> <td>Fuse option</td> </tr> <tr> <td>EMI¹</td> <td>Emergency ballast(s) integral</td> </tr> <tr> <td>EMR</td> <td>Emergency ballast(s) remote</td> </tr> <tr> <td>SBA</td> <td>Sandblasted acrylic</td> </tr> <tr> <td>SAV</td> <td>Traditional ballast canopy</td> </tr> <tr> <td>SS</td> <td>Separate switching</td> </tr> <tr> <td>HP01</td> <td>Silver hand-painted acrylic</td> </tr> <tr> <td>HP02</td> <td>Beige hand-painted acrylic</td> </tr> <tr> <td>HP03</td> <td>Amber hand-painted acrylic</td> </tr> </tbody> </table> <p><i>For further detail on options, see Technical Notes on page 264.</i></p>	OAH __	Pendant length other than standard. (Provide fixture height in inches.)	F	Fuse option	EMI ¹	Emergency ballast(s) integral	EMR	Emergency ballast(s) remote	SBA	Sandblasted acrylic	SAV	Traditional ballast canopy	SS	Separate switching	HP01	Silver hand-painted acrylic	HP02	Beige hand-painted acrylic	HP03	Amber hand-painted acrylic
Lamping Detail (indirect - bowl illumination)	Optical Pkg.	Photometry																																																						
6F40 / 1F40¹ (6) FT40W/2G11 - 40W CIRC T5	A	E433-87																																																						
6F40DM / 1F40¹ (6) FT40W/2G11 - 40W CIRC T5	A	E433-87																																																						
6F55 / 1F40¹ (6) FT55W/2G11 - 40W CIRC T5	A	E433-87																																																						
PT __	Painted. (Include Paint Number.)																																																							
PBR	Polished solid brass																																																							
BBR	Brushed solid brass																																																							
ABR	Antique solid brass																																																							
CPBR	Chrome plated polished brass																																																							
BAL	Brushed aluminum																																																							
ABST	Antique brass over steel																																																							
BBST	Brushed brass over steel																																																							
CPST	Polished chrome over steel																																																							
PBST	Polished brass over steel																																																							
OAH __	Pendant length other than standard. (Provide fixture height in inches.)																																																							
F	Fuse option																																																							
EMI ¹	Emergency ballast(s) integral																																																							
EMR	Emergency ballast(s) remote																																																							
SBA	Sandblasted acrylic																																																							
SAV	Traditional ballast canopy																																																							
SS	Separate switching																																																							
HP01	Silver hand-painted acrylic																																																							
HP02	Beige hand-painted acrylic																																																							
HP03	Amber hand-painted acrylic																																																							

2-BOWL

4-BOWL

OPTICAL PACKAGES

A

Symmetrical Indirect

