

Retro Chandeliers



RIP1766
Brushed Aluminum

RIP1762
Brushed Aluminum

24" 32"

Stepped Trim



RIP1770
Brushed Aluminum



RIP1774
Brushed Aluminum

Retro Chandeliers-24"

RENAISSANCE

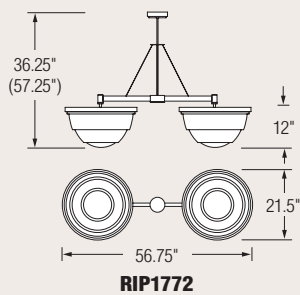
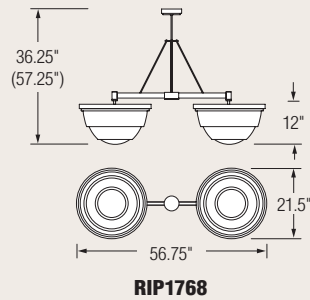
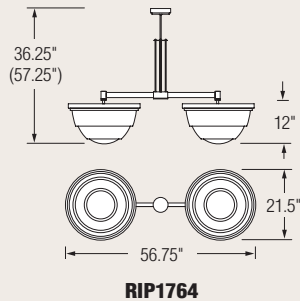
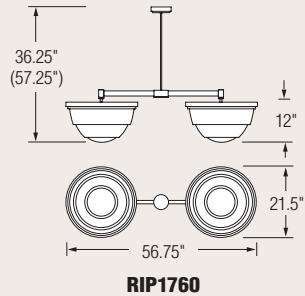
24"

Specifications:

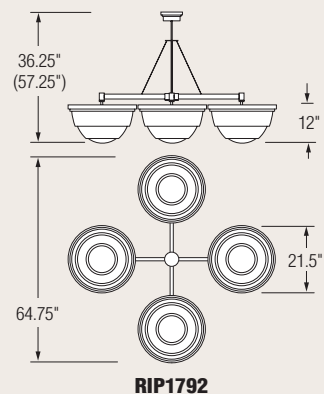
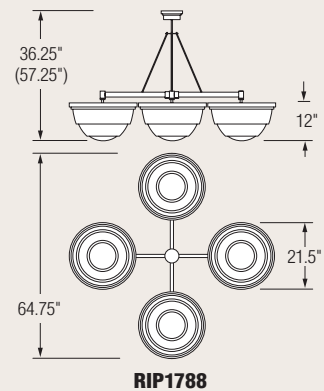
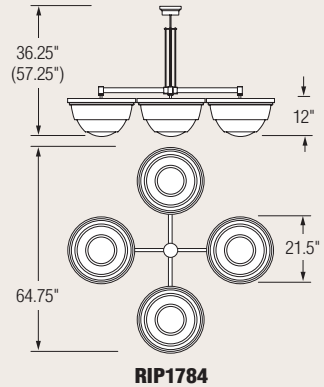
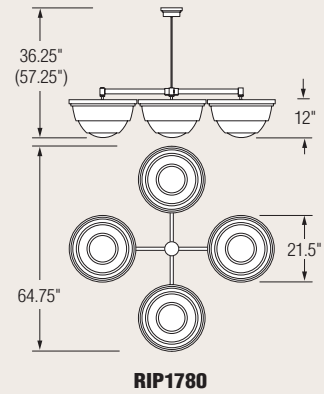
- Trim rings are spun from .063" thick base material (brass or aluminum) or 18 gauge steel (plated or painted).
- Chassis is formed from 18 gauge cold-rolled steel.
- 3/8 IP (.688" dia.) stem with a 1/2 IP (.875" dia.) sleeve.
- Formed acrylic bowl with a minimum wall thickness of .118". Opal finish is standard.
- Integral fluorescent ballasts are HPF electronic with low harmonic distortion.
- H.I.D. ballasts are magnetic HX-HPF for 150 watt and below. Magnetic CWA-HPF ballasts are used for over 150 watts. H.I.D. ballasts are remote mounted.
- Ballasts are thermally protected.
- Fluorescent ballasts have a Class "A" and H.I.D. a Class "B" sound rating.
- Inner steel support bracket attaches to 4" octagonal box.
- 45° swivel canopy is standard and meets all earthquake related codes.
- UL listed (US and Canada) for damp locations. (Not recommended for exterior use.)

Design modification rights reserved.

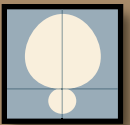
Stepped Trim 2-Bowl



Stepped Trim 4-Bowl



(57.25") Overall Height of fixture with metal halide lamping.



A, D, E
Symmetrical
Indirect

Sample model number: **RIP1760 - 4F32/1F22 - 120 - BAL - HP02**

Select Style	Select any Lamping (indirect/bowl illumination)	Lamping Detail (indirect - bowl illumination)	Optical Pkg. Photometry	Select Voltage	Select Finish	Select Options
<p>2-BOWL</p> <p>RIP1760</p> <p>RIP1764</p> <p>RIP1768</p> <p>RIP1772</p> <p>4-BOWL</p> <p>RIP1780</p> <p>RIP1784</p> <p>RIP1788</p> <p>RIP1792</p>	<p>1M100PSC/1F40</p> <p>1M150PSC/1F40</p> <p>1M250/1F40</p> <p>1M250PS/1F40</p> <p>1M350PS/1F40</p> <p>1M400/1F40</p> <p>1M400PS/1F40</p> <p>1N300</p> <p>2T250</p> <p>2F39/1F39¹</p> <p>2F39DM/1F39¹</p> <p>4F32/1F22</p> <p>4F42/1F22</p>	<p>100W ED17 PULSE START CERAMIC MH - 40W CIRC T5 A E402-17</p> <p>150W ED17 PULSE START CERAMIC MH - 40W CIRC T5 A E402-17</p> <p>250W BT28 MH - 40W CIRC T5 A E402-17</p> <p>250W ED28 PULSE START MH - 40W CIRC T5 A E402-17</p> <p>350W ED28 PULSE START MH - 40W CIRC T5 A E402-17</p> <p>400W BT28 MH - 40W CIRC T5 A E402-17</p> <p>400W ED28 PULSE START MH - 40W CIRC T5 A E402-17</p> <p>300W PS30 INC B NA</p> <p>(2) 250W T10 QTZ C E433-75R</p> <p>(2) FT39W/2G11 - FT39W/2G11 D E433-71</p> <p>(2) FT39W/2G11 - FT39W/2G11 D E433-71</p> <p>(4) CFTR32W/GX24q - 22W CIRC T5 E E402-20</p> <p>(4) CFTR42W/GX24q - 22W CIRC T5 E E402-20</p>	<p>120</p> <p>277</p>	<p>PT Painted. (Include Paint Number.)</p> <p>PBR Polished solid brass</p> <p>BBR Brushed solid brass</p> <p>ABR Antique solid brass</p> <p>CPBR Chrome plated polished brass</p> <p>BAL Brushed aluminum</p> <p>ABST Antique brass over steel</p> <p>BBST Brushed brass over steel</p> <p>CPST Polished chrome over steel</p> <p>PBST Polished brass over steel</p> <p><i>See Finish Selection Guide, pages 268-269.</i></p>	<p>OAH Pendant length other than standard. (Provide fixture height in inches.)</p> <p>F Fuse option (M and F)</p> <p>RPI Remote ballast support tray</p> <p>EMI¹ Emergency ballast(s) integral</p> <p>EMR Emergency ballast(s) remote</p> <p>SBA Sandblasted acrylic</p> <p>SAJ Contemporary ballast canopy</p> <p>SS Separate switching</p> <p>HP01 Silver hand-painted acrylic</p> <p>HP02 Beige hand-painted acrylic</p> <p>HP03 Amber hand-painted acrylic</p> <p>FIN Finial option</p>	

DM = Dimming ballast(s) provided

¹Denotes lamping options available with **EMI**

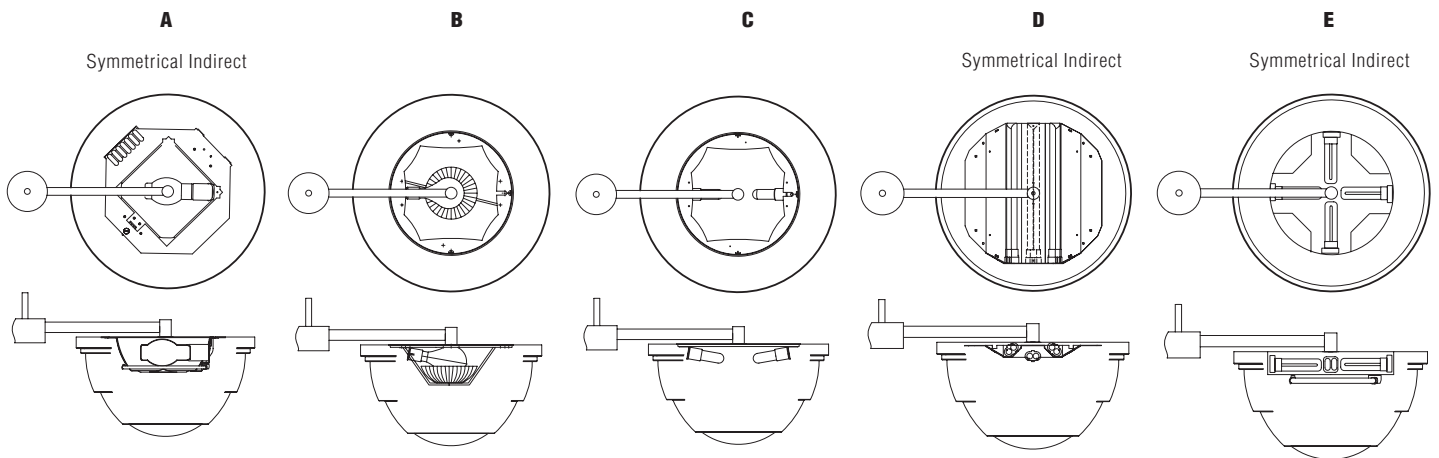
The lamping is per bowl of the Chandelier.

If Photometry is not available, consult factory for further details.

Stepped

For further detail on options, see Technical Notes on page 264.

OPTICAL PACKAGES



Retro Chandeliers-32"

RENAISSANCE

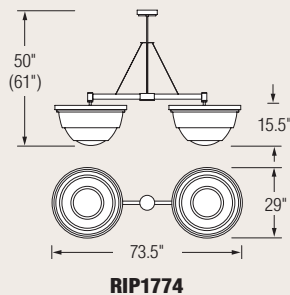
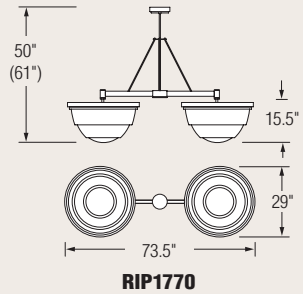
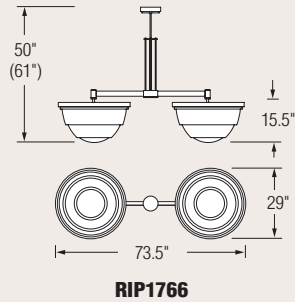
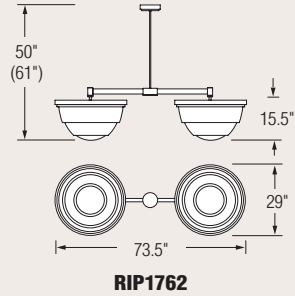
32"

Specifications:

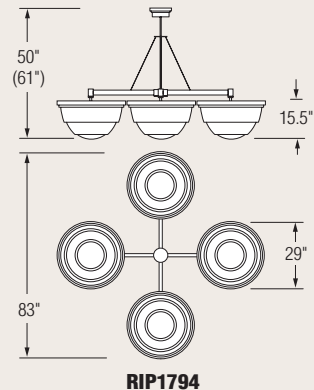
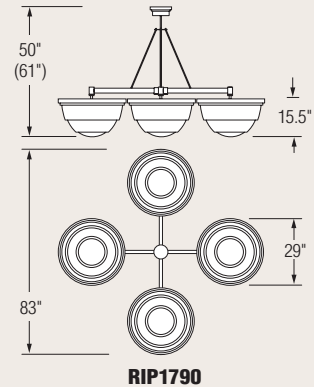
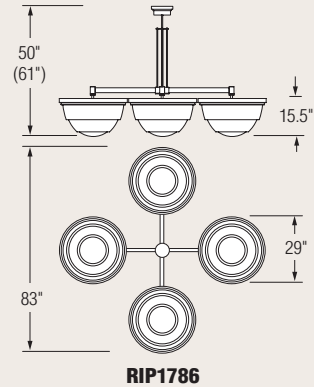
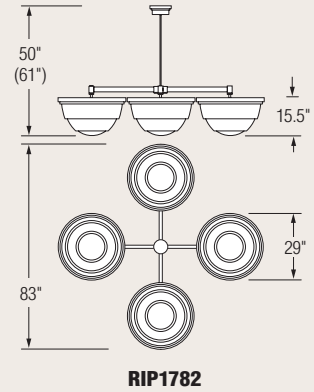
- Trim rings are spun from .063" thick base material (brass or aluminum) or 18 gauge steel (plated or painted).
- Chassis is formed from 18 gauge cold-rolled steel.
- 3/8 IP (.688" dia.) stem with a 1/2 IP (.875" dia.) sleeve.
- Formed acrylic bowl with a minimum wall thickness of .118". Opal finish is standard.
- Integral fluorescent ballasts are HPF electronic with low harmonic distortion.
- H.I.D. ballasts are magnetic HX-HPF for 150 watt and below. Magnetic CWA-HPF ballasts are used for over 150 watts. H.I.D. ballasts are remote mounted.
- Ballasts are thermally protected.
- Fluorescent ballasts have a Class "A" and H.I.D. a Class "B" sound rating.
- Inner steel support bracket attaches to 4" octagonal box.
- 45° swivel canopy is standard and meets all earthquake related codes.
- UL listed (US and Canada) for damp locations. (Not recommended for exterior use.)

Design modification rights reserved.

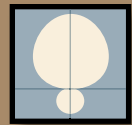
Stepped Trim 2-Bowl



Stepped Trim 4-Bowl



(61") Overall Height of fixture with metal halide lamping.



A, C, D
Symmetrical
Indirect



E
Symmetrical
Direct

Sample model number: **RIP1762 - 4F40/2F40 - 120 - BAL - HP02**

Select Style

Select any Lamping
(indirect/bowl illumination)

Select Voltage

Select Finish

Select Options

2-BOWL

4-BOWL

Style	Lamping	Voltage	Finish	Option
RIP1762	1M150PSC/1F40	150W ED17 PULSE START CERAMIC MH - 40W 175W	A	E402-17
RIP1766	1M250/1F40	250W BT28 MH - 40W CIRC T5	A	E402-17
RIP1770	1M250PS/1F40	250W ED28 PULSE START MH - 40W CIRC T5	A	E402-17
RIP1774	1M350PS/1F40	350W ED28 PULSE START MH - 40W CIRC T5	A	E402-17
	1M400/1F40	400W BT28 MH - 40W CIRC T5	A	E402-17
RIP1782	1M400PS/1F40	400W ED28 PULSE START MH - 40W CIRC T5	A	E402-17
RIP1786	3N150	(3) 150W A21 INC	B	NA
RIP1790	3T250	(3) 250W T10 QTZ	B	NA
RIP1794	4F40/2F40¹	(4) FT40W/2G11 - (2) FT39W/2G11	C	E433-72
	4F40DM/2F40¹	(4) FT40W/2G11 - (2) FT39W/2G11	C	E433-72
	6F40/1F40¹	(6) FT40W/2G11 - 40W CIRC T5	D	E433-87
	6F40DM/1F40¹	(6) FT40W/2G11 - 40W CIRC T5	D	E433-87
	6F55/1F40¹	(6) FT55W/2G11 - 40W CIRC T5	D	E433-87
	2F40/4F40	(2) FT40W/2G11 - (4) FT40W/2G11	E	ITL3691A

120	PT	Painted. (Include Paint Number.)
277	PBR	Polished solid brass
	BBR	Brushed solid brass
	ABR	Antique solid brass
	CPBR	Chrome plated polished brass
	BAL	Brushed aluminum
	ABST	Antique brass over steel
	BBST	Brushed brass over steel
	CPST	Polished chrome over steel
	PBST	Polished brass over steel

See Finish Selection Guide, pages 268-269.

OAH	Pendant length other than standard. (Provide fixture height in inches.)
F	Fuse option (M and F)
RPI	Remote ballast support tray
EMI¹	Emergency ballast(s) integral
EMR	Emergency ballast(s) remote
SBA	Sandblasted acrylic
SAJ	Contemporary ballast canopy
SS	Separate switching
HP01	Silver hand-painted acrylic
HP02	Beige hand-painted acrylic
HP03	Amber hand-painted acrylic
FIN	Finial option

DM = Dimming ballast(s) provided

If Photometry is not available, consult factory for further details.

¹Denotes lamping options available with **EMI**

The lamping is per bowl of the Chandelier.

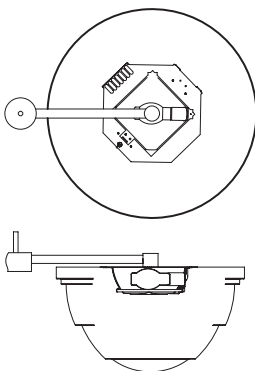


Stepped

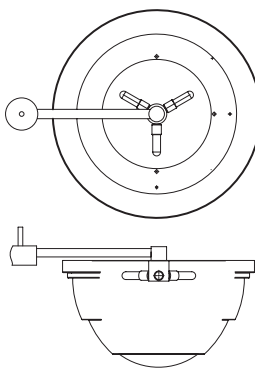
For further detail on options, see Technical Notes on page 264.

OPTICAL PACKAGES

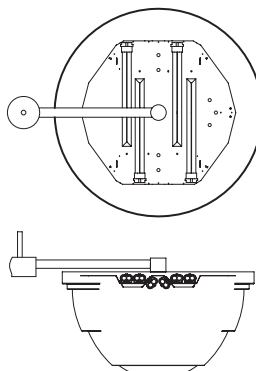
A
Symmetrical Indirect



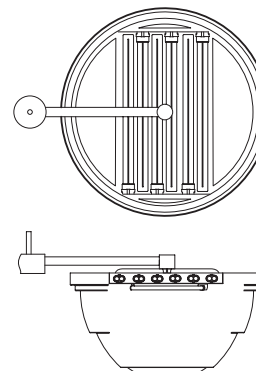
B
Symmetrical Indirect



C
Symmetrical Indirect



D
Symmetrical Indirect



E
Symmetrical Direct

