

Drum Chandeliers



RIP2042
Chrome Plated Polished Brass



RIP2050
Chrome Plated Polished Brass

24" 32"

Sloped Trim



RIP2046
Chrome Plated Polished Brass



RIP2054
Chrome Plated Polished Brass

Drum Chandeliers-24"

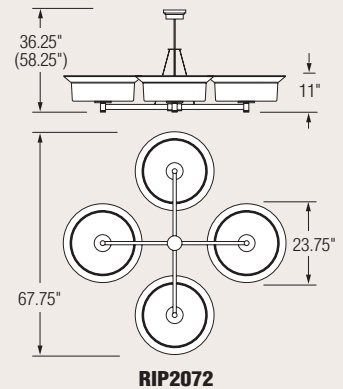
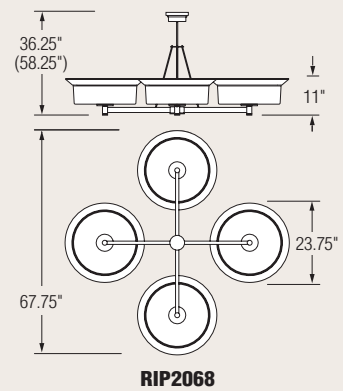
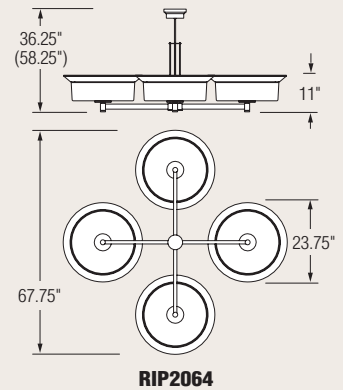
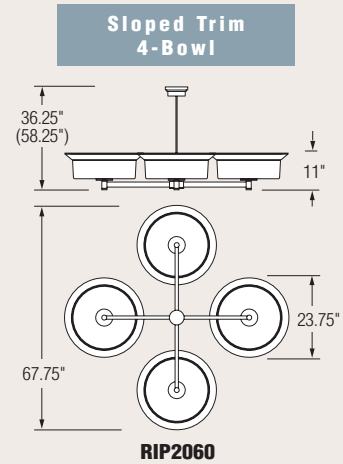
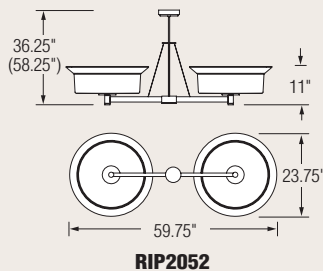
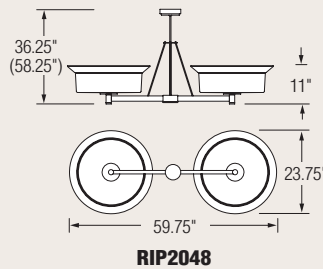
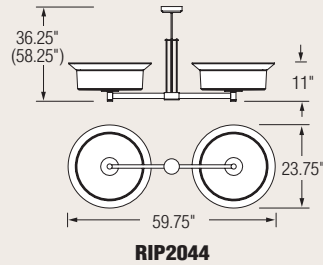
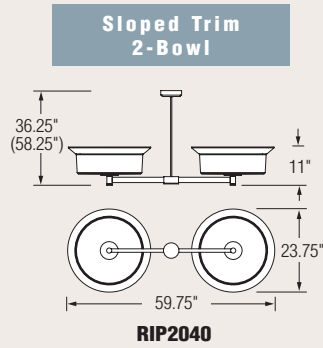
RENAISSANCE

24"

Specifications:

- Trim rings are spun from .063" thick base material (brass or aluminum) or 18 gauge steel (plated or painted).
- Chassis is formed from 18 gauge cold-rolled steel.
- 3/8 IP (.688" dia.) stem with a 1/2 IP (.875" dia.) sleeve.
- Formed acrylic bowl with a minimum wall thickness of .118". Opal finish is standard.
- Hinged optical tray for easy replacement of lamps and ballasts without removal of the bowl.
- Integral fluorescent ballasts are HPF electronic with low harmonic distortion.
- H.I.D. ballasts are magnetic HX-HPF for 150 watt and below. Magnetic CWA-HPF ballasts are used for over 150 watts. H.I.D. ballasts are remote mounted.
- Ballasts are thermally protected.
- Fluorescent ballasts have a Class "A" and H.I.D. a Class "B" sound rating.
- Inner steel support bracket attaches to 4" octagonal box.
- 45° swivel canopy is standard and meets all earthquake related codes.
- UL listed (US and Canada) for damp locations. (Not recommended for exterior use.)

Design modification rights reserved.



(58.25") Overall Height of fixture with metal halide lampping.



A, D
Symmetrical
Indirect

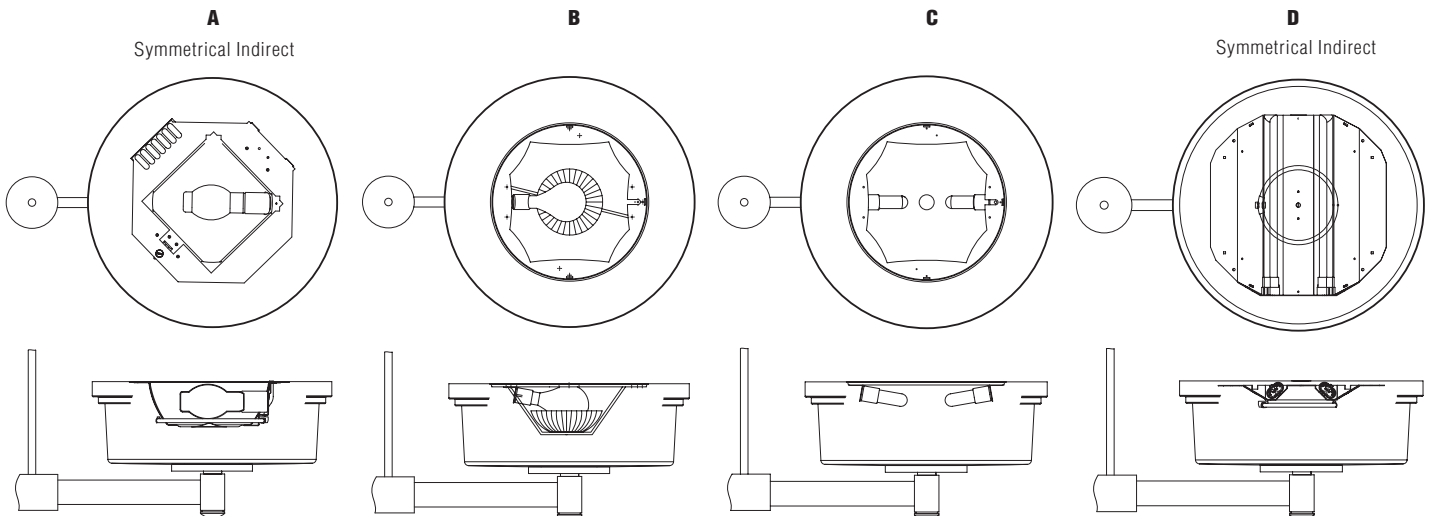
Sample model number: **STYLE** **LAMPING** **VOLTAGE** **FINISH** **OPTION**
RIP2040 - 2F39/1F22 - 120 - BAL - HP02

Select Style	Select any Lamping (indirect/bowl illumination)	Lamping Detail (indirect - bowl illumination)	Optical Pkg. Photometry	Select Voltage	Select Finish	Select Options
RIP2040 RIP2044 RIP2048 RIP2052 RIP2060 RIP2064 RIP2068 RIP2072	1M100PSC/1F40 1M150PSC/1F40 1M250/1F40 1M250PS/1F40 1M350PS/1F40 1M400/1F40 1M400PS/1F40 1N300 2T250 2F39/1F22¹ 2F39DM/1F22¹	100W ED17 PULSE START CERAMIC MH - 40W CIRC T5 150W ED17 PULSE START CERAMIC MH - 40W CIRC T5 250W BT28 MH - 40W CIRC T5 250W ED28 PULSE START MH - 40W CIRC T5 350W ED28 PULSE START MH - 40W CIRC T5 400W BT28 MH - 40W CIRC T5 400W ED28 PULSE START MH - 40W CIRC T5 300W PS30 INC (2) 250W T10 QTZ (2) FT39W/2G11 - 22W CIRC T5 (2) FT39W/2G11 - 22W CIRC T5	A A A A A A B C D D	120 277	PT Painted. (Include Paint Number.) PBR Polished solid brass BBR Brushed solid brass ABR Antique solid brass CPBR Chrome plated polished brass BAL Brushed aluminum ABST Antique brass over steel BBST Brushed brass over steel CPST Polished chrome over steel PBST Polished brass over steel <i>See Finish Selection Guide, pages 268-269.</i>	OAH Pendant length other than standard. (Provide fixture height in inches.) F Fuse option (M and F) RPI Remote ballast support tray EMI¹ Emergency ballast(s) integral EMR Emergency ballast(s) remote SBA Sandblasted acrylic SS Separate switching HP01 Silver hand-painted acrylic HP02 Beige hand-painted acrylic HP03 Amber hand-painted acrylic <i>For further detail on options, see Technical Notes on page 264.</i>

DM = Dimming ballast(s) provided
¹Denotes lamping options available with **EMI**
 The lamping is per bowl of the Chandelier.

If Photometry is not available, consult factory for further details.

OPTICAL PACKAGES



Drum Chandeliers-32"

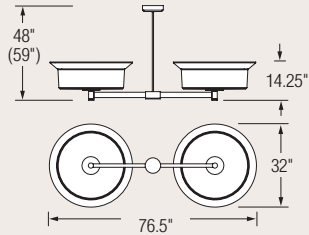
RENAISSANCE

32"

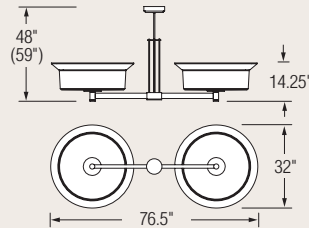
Specifications:

- Trim rings are spun from .063" thick base material (brass or aluminum) or 18 gauge steel (plated or painted).
- Chassis is formed from 18 gauge cold-rolled steel.
- 3/8 IP (.688" dia.) stem with a 1/2 IP (.875" dia.) sleeve.
- Formed acrylic bowl with a minimum wall thickness of .118". Opal finish is standard.
- Hinged optical tray for easy replacement of lamps and ballasts without removal of the bowl.
- Integral fluorescent ballasts are HPF electronic with low harmonic distortion.
- H.I.D. ballasts are magnetic HX-HPF for 150 watt and below. Magnetic CWA-HPF ballasts are used for over 150 watts. H.I.D. ballasts are remote mounted.
- Ballasts are thermally protected.
- Fluorescent ballasts have a Class "A" and H.I.D. a Class "B" sound rating.
- Inner steel support bracket attaches to 4" octagonal box.
- 45° swivel canopy is standard and meets all earthquake related codes.
- UL listed (US and Canada) for damp locations. (Not recommended for exterior use.)

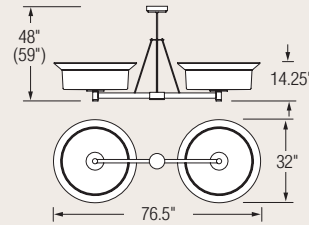
Sloped Trim 2-Bowl



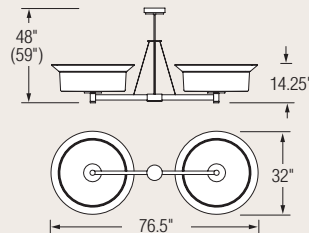
RIP2042



RIP2046

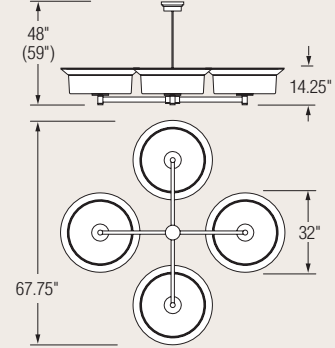


RIP2050

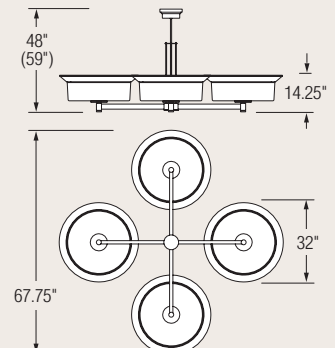


RIP2054

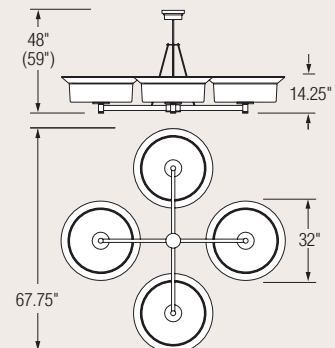
Sloped Trim 4-Bowl



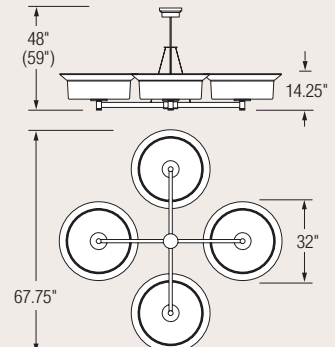
RIP2062



RIP2066



RIP2070



RIP2074

(59") Overall Height of fixture with metal halide lamping.



A, C
Symmetrical
Indirect

Sample model number: **STYLE** **LAMPING** **VOLTAGE** **FINISH** **OPTION**
RIP2042 - 6F55/1F40 - 120 - BAL - HP02

Select Style	Select any Lamping (indirect/bowl illumination)	Select Voltage	Select Finish	Select Options																																																
<p>2-BOWL</p> <p>RIP2042</p> <p>RIP2046</p> <p>RIP2050</p> <p>RIP2054</p> <p>RIP2062</p> <p>RIP2066</p> <p>RIP2070</p> <p>RIP2074</p>	<p>Lamping Detail (indirect - bowl illumination)</p> <table border="1"> <tr><td>1M100PSC/1F40</td><td>100W ED17 PULSE START CERAMIC MH - 40W CIRC T5</td><td>A</td><td>E402-17</td></tr> <tr><td>1M150PSC/1F40</td><td>150W ED17 PULSE START CERAMIC MH - 40W CIRC T5</td><td>A</td><td>E402-17</td></tr> <tr><td>1M250/1F40</td><td>250W BT28 MH - 40W CIRC T5</td><td>A</td><td>E402-17</td></tr> <tr><td>1M250PS/1F40</td><td>250W ED28 PULSE START MH - 40W CIRC T5</td><td>A</td><td>E402-17</td></tr> <tr><td>1M350PS/1F40</td><td>350W ED28 PULSE START MH - 40W CIRC T5</td><td>A</td><td>E402-17</td></tr> <tr><td>1M400/1F40</td><td>400W BT28 MH - 40W CIRC T5</td><td>A</td><td>E402-17</td></tr> <tr><td>1M400PS/1F40</td><td>400W BT28 PULSE START MH - 40W CIRC T5</td><td>A</td><td>E402-17</td></tr> <tr><td>3N150</td><td>(3) 150W A21 INC</td><td>B</td><td>NA</td></tr> <tr><td>3T250</td><td>(3) 250W T10 QTZ</td><td>B</td><td>NA</td></tr> <tr><td>6F40/1F40¹</td><td>(6) FT40W/2G11 - 40W CIRC T5</td><td>C</td><td>E433-87</td></tr> <tr><td>6F40DM/1F40¹</td><td>(6) FT40W/2G11 - 40W CIRC T5</td><td>C</td><td>E433-87</td></tr> <tr><td>6F55/1F40¹</td><td>(6) FT55W/2G11 - 40W CIRC T5</td><td>C</td><td>E433-87</td></tr> </table>	1M100PSC/1F40	100W ED17 PULSE START CERAMIC MH - 40W CIRC T5	A	E402-17	1M150PSC/1F40	150W ED17 PULSE START CERAMIC MH - 40W CIRC T5	A	E402-17	1M250/1F40	250W BT28 MH - 40W CIRC T5	A	E402-17	1M250PS/1F40	250W ED28 PULSE START MH - 40W CIRC T5	A	E402-17	1M350PS/1F40	350W ED28 PULSE START MH - 40W CIRC T5	A	E402-17	1M400/1F40	400W BT28 MH - 40W CIRC T5	A	E402-17	1M400PS/1F40	400W BT28 PULSE START MH - 40W CIRC T5	A	E402-17	3N150	(3) 150W A21 INC	B	NA	3T250	(3) 250W T10 QTZ	B	NA	6F40/1F40¹	(6) FT40W/2G11 - 40W CIRC T5	C	E433-87	6F40DM/1F40¹	(6) FT40W/2G11 - 40W CIRC T5	C	E433-87	6F55/1F40¹	(6) FT55W/2G11 - 40W CIRC T5	C	E433-87	<p>Optical Pkg. Photometry</p> <p>120</p> <p>277</p>	<p>PT__ Painted. (Include Paint Number.)</p> <p>PBR Polished solid brass</p> <p>BBR Brushed solid brass</p> <p>ABR Antique solid brass</p> <p>CPBR Chrome plated polished brass</p> <p>BAL Brushed aluminum</p> <p>ABST Antique brass over steel</p> <p>BBST Brushed brass over steel</p> <p>CPST Polished chrome over steel</p> <p>PBST Polished brass over steel</p> <p><i>See Finish Selection Guide, pages 268-269.</i></p>	<p>OAH__ Pendant length other than standard. (Provide fixture height in inches.)</p> <p>F Fuse option (M and F)</p> <p>RPI Remote ballast support tray</p> <p>EMI¹ Emergency ballast(s) integral</p> <p>EMR Emergency ballast(s) remote</p> <p>SBA Sandblasted acrylic</p> <p>SS Separate switching</p> <p>HP01 Silver hand-painted acrylic</p> <p>HP02 Beige hand-painted acrylic</p> <p>HP03 Amber hand-painted acrylic</p> <p><i>For further detail on options, see Technical Notes on page 264.</i></p>
1M100PSC/1F40	100W ED17 PULSE START CERAMIC MH - 40W CIRC T5	A	E402-17																																																	
1M150PSC/1F40	150W ED17 PULSE START CERAMIC MH - 40W CIRC T5	A	E402-17																																																	
1M250/1F40	250W BT28 MH - 40W CIRC T5	A	E402-17																																																	
1M250PS/1F40	250W ED28 PULSE START MH - 40W CIRC T5	A	E402-17																																																	
1M350PS/1F40	350W ED28 PULSE START MH - 40W CIRC T5	A	E402-17																																																	
1M400/1F40	400W BT28 MH - 40W CIRC T5	A	E402-17																																																	
1M400PS/1F40	400W BT28 PULSE START MH - 40W CIRC T5	A	E402-17																																																	
3N150	(3) 150W A21 INC	B	NA																																																	
3T250	(3) 250W T10 QTZ	B	NA																																																	
6F40/1F40¹	(6) FT40W/2G11 - 40W CIRC T5	C	E433-87																																																	
6F40DM/1F40¹	(6) FT40W/2G11 - 40W CIRC T5	C	E433-87																																																	
6F55/1F40¹	(6) FT55W/2G11 - 40W CIRC T5	C	E433-87																																																	

DM = Dimming ballast(s) provided

If Photometry is not available, consult factory for further details.

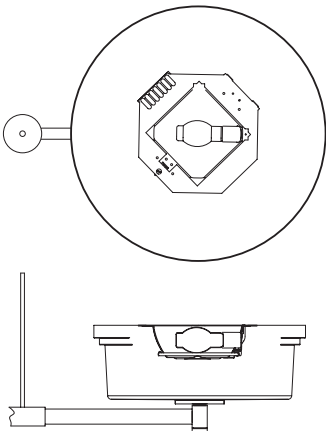
¹Denotes lamping options available with EMI

The lamping is per bowl of the Chandelier.

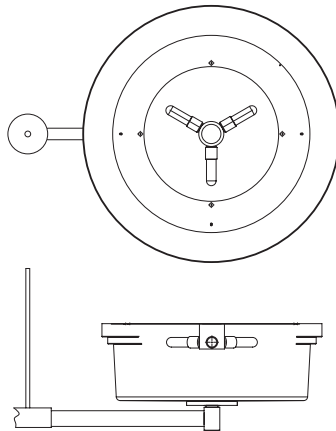
OPTICAL PACKAGES

A

Symmetrical Indirect



B



C

Symmetrical Indirect

