

Drum Chandeliers



RIP2082
Brushed Brass



RIP2086
Brushed Brass

24" 32"

Stepped Trim



RIP2090
Brushed Brass



RIP2094
Brushed Brass

Drum Chandeliers-24"

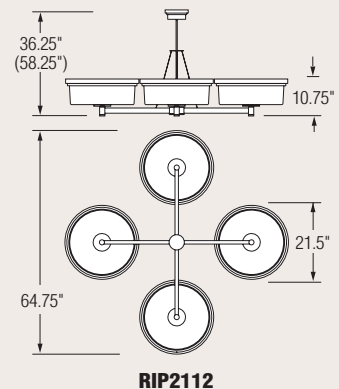
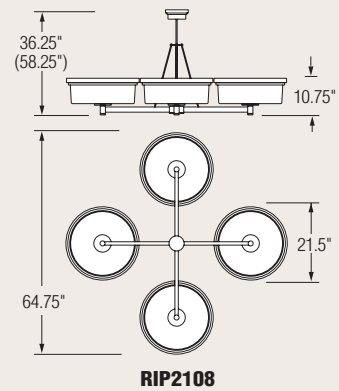
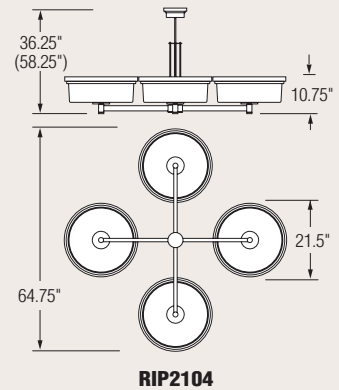
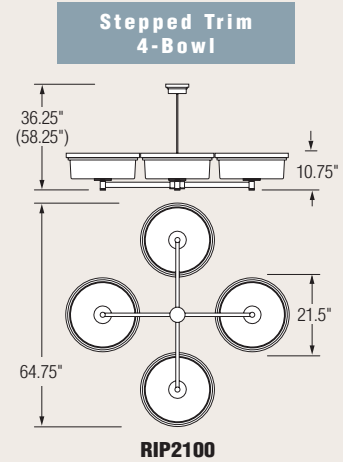
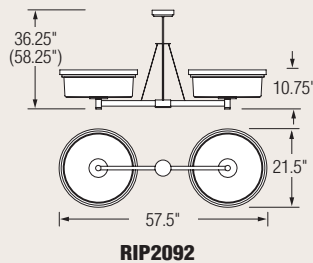
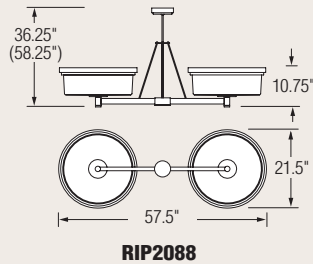
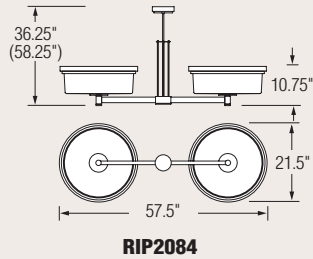
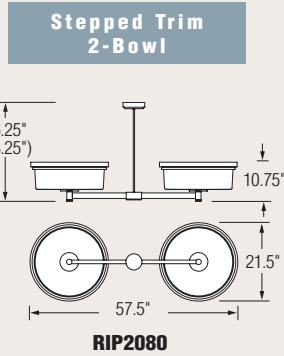
RENAISSANCE

24"

Specifications:

- Trim rings are spun from .063" thick base material (brass or aluminum) or 18 gauge steel (plated or painted).
- Chassis is formed from 18 gauge cold-rolled steel.
- 3/8 IP (.688" dia.) stem with a 1/2 IP (.875" dia.) sleeve.
- Formed acrylic bowl with a minimum wall thickness of .118". Opal finish is standard.
- Hinged optical tray for easy replacement of lamps and ballasts without removal of the bowl.
- Integral fluorescent ballasts are HPF electronic with low harmonic distortion.
- H.I.D. ballasts are magnetic HX-HPF for 150 watt and below. Magnetic CWA-HPF ballasts are used for over 150 watts. H.I.D. ballasts are remote mounted.
- Ballasts are thermally protected.
- Fluorescent ballasts have a Class "A" and H.I.D. a Class "B" sound rating.
- Inner steel support bracket attaches to 4" octagonal box.
- 45° swivel canopy is standard and meets all earthquake related codes.
- UL listed (US and Canada) for damp locations. (Not recommended for exterior use.)

Design modification rights reserved.



(58.25") Overall Height of fixture with metal halide lamping.



A, D
Symmetrical
Indirect

Sample model number: **STYLE** **LAMPING** **VOLTAGE** **FINISH** **OPTION**
RIP2080 - 2F39/1F22 - 120 - BAL - HP02

Select Style	Select any Lamping (indirect/bowl illumination)	Lamping Detail (indirect - bowl illumination)	Optical Pkg. Photometry	Select Voltage	Select Finish	Select Options
<p>2-BOWL</p> <p>RIP2080</p> <p>RIP2084</p> <p>RIP2088</p> <p>RIP2092</p> <p>4-BOWL</p> <p>RIP2100</p> <p>RIP2104</p> <p>RIP2108</p> <p>RIP2112</p>	<p>1M100PSC/1F40</p> <p>1M150PSC/1F40</p> <p>1M250/1F40</p> <p>1M250PS/1F40</p> <p>1M350PS/1F40</p> <p>1M400/1F40</p> <p>1M400PS/1F40</p> <p>1N300</p> <p>2T250</p> <p>2F39/1F22¹</p> <p>2F39DM/1F22¹</p>	<p>100W ED17 PULSE START CERAMIC MH - 40W CIRC T5</p> <p>150W ED17 PULSE START CERAMIC MH - 40W CIRC T5</p> <p>250W BT28 MH - 40W CIRC T5</p> <p>250W ED28 PULSE START MH - 40W CIRC T5</p> <p>350W ED28 PULSE START MH - 40W CIRC T5</p> <p>400W BT28 MH - 40W CIRC T5</p> <p>400W ED28 PULSE START MH - 40W CIRC T5</p> <p>300W PS30 INC</p> <p>(2) 250W T10 QTZ</p> <p>(2) FT39W/2G11 - 22W CIRC T5</p> <p>(2) FT39W/2G11 - 22W CIRC T5</p>	<p>A</p> <p>A</p> <p>A</p> <p>A</p> <p>A</p> <p>A</p> <p>A</p> <p>B</p> <p>C</p> <p>D</p> <p>D</p>	<p>120</p> <p>277</p>	<p>PT__ Painted. (Include Paint Number.)</p> <p>PBR Polished solid brass</p> <p>BBR Brushed solid brass</p> <p>ABR Antique solid brass</p> <p>CPBR Chrome plated polished brass</p> <p>BAL Brushed aluminum</p> <p>ABST Antique brass over steel</p> <p>BBST Brushed brass over steel</p> <p>CPST Polished chrome over steel</p> <p>PBST Polished brass over steel</p>	<p>OAH__ Pendant length other than standard. (Provide fixture height in inches.)</p> <p>F Fuse option (M and F)</p> <p>RPI Remote ballast support tray</p> <p>EMI¹ Emergency ballast(s) integral</p> <p>EMR Emergency ballast(s) remote</p> <p>SBA Sandblasted acrylic</p> <p>SS Separate switching</p> <p>HP01 Silver hand-painted acrylic</p> <p>HP02 Beige hand-painted acrylic</p> <p>HP03 Amber hand-painted acrylic</p>

DM = Dimming ballast(s) provided

¹Denotes lamping options available with **EMI**

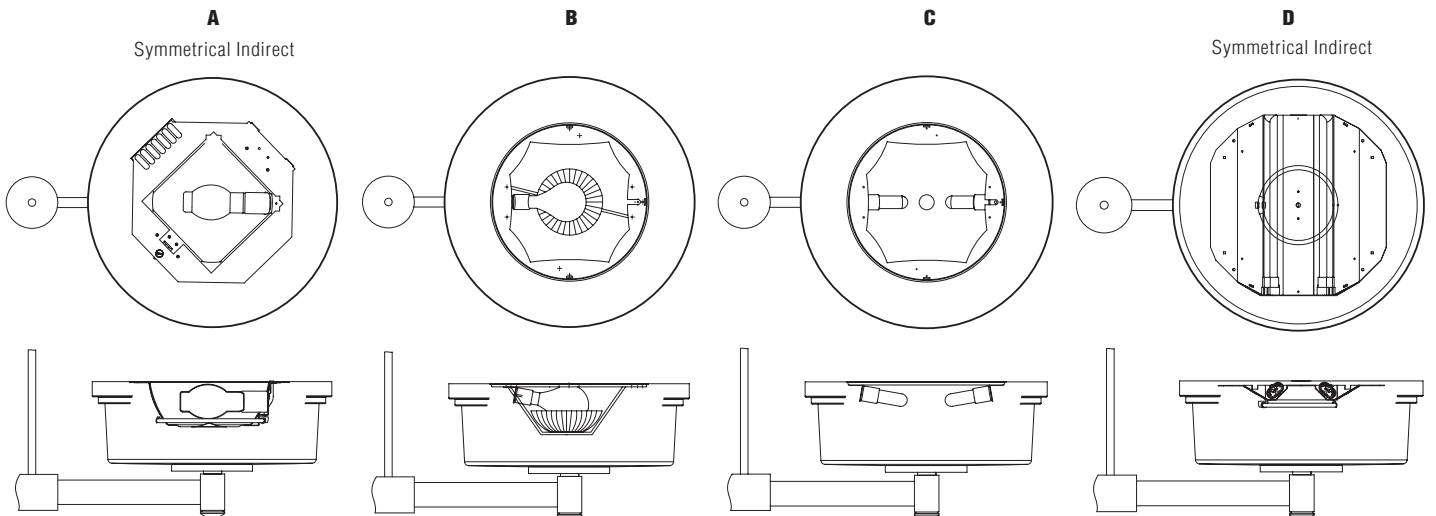
The lamping is per bowl of the Chandelier.

If Photometry is not available, consult factory for further details.

See Finish Selection Guide, pages 268-269.

For further detail on options, see Technical Notes on page 264.

OPTICAL PACKAGES



Drum Chandeliers-32"

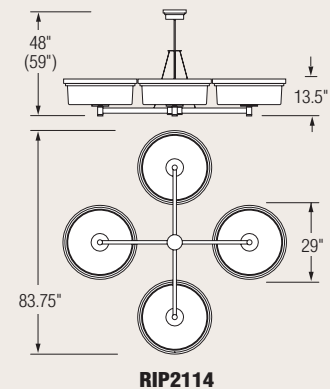
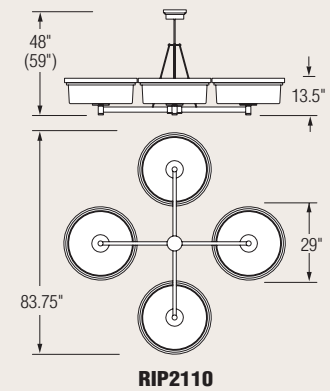
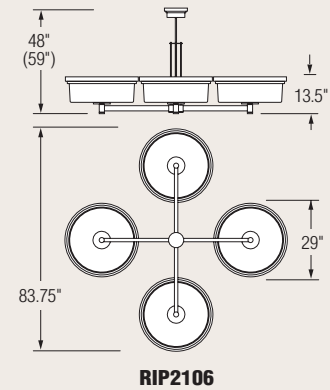
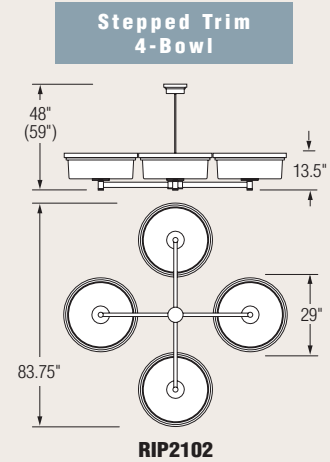
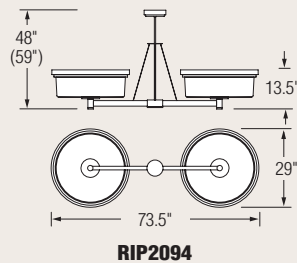
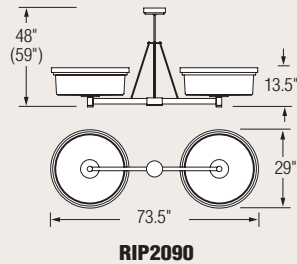
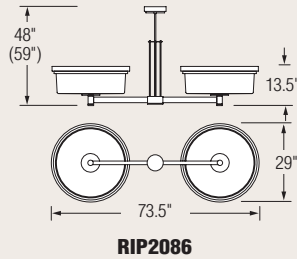
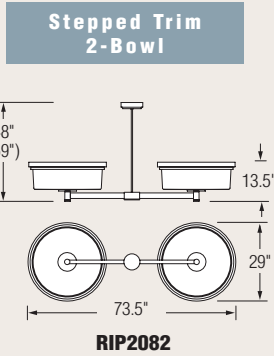
RENAISSANCE

32"

Specifications:

- Trim rings are spun from .063" thick base material (brass or aluminum) or 18 gauge steel (plated or painted).
- Chassis is formed from 18 gauge cold-rolled steel.
- 3/8 IP (.688" dia.) stem with a 1/2 IP (.875" dia.) sleeve.
- Formed acrylic bowl with a minimum wall thickness of .118". Opal finish is standard.
- Hinged optical tray for easy replacement of lamps and ballasts without removal of the bowl.
- Integral fluorescent ballasts are HPF electronic with low harmonic distortion.
- H.I.D. ballasts are magnetic HX-HPF for 150 watt and below. Magnetic CWA-HPF ballasts are used for over 150 watts. H.I.D. ballasts are remote mounted.
- Ballasts are thermally protected.
- Fluorescent ballasts have a Class "A" and H.I.D. a Class "B" sound rating.
- Inner steel support bracket attaches to 4" octagonal box.
- 45° swivel canopy is standard and meets all earthquake related codes.
- UL listed (US and Canada) for damp locations. (Not recommended for exterior use.)

Design modification rights reserved.



(59") Overall Height of fixture with metal halide lamping.



A, C
Symmetrical
Indirect

Sample model number: **STYLE** **LAMPING** **VOLTAGE** **FINISH** **OPTION**
RIP2082 - 6F55/1F40 - 120 - BAL - HP02

Select Style	Select any Lamping (indirect/bowl illumination)	Select Voltage	Select Finish	Select Options																																																
<p>2-BOWL</p> <p>RIP2082</p> <p>RIP2086</p> <p>RIP2090</p> <p>RIP2094</p> <p>RIP2102</p> <p>RIP2106</p> <p>RIP2110</p> <p>RIP2114</p>	<p>Lamping Detail (indirect - bowl illumination)</p> <table border="1"> <tr><td>1M100PSC/1F40</td><td>100W ED17 PULSE START CERAMIC MH - 40W CIRC T5</td><td>A</td><td>E402-17</td></tr> <tr><td>1M150PSC/1F40</td><td>150W ED17 PULSE START CERAMIC MH - 40W CIRC T5</td><td>A</td><td>E402-17</td></tr> <tr><td>1M250/1F40</td><td>250W BT28 MH - 40W CIRC T5</td><td>A</td><td>E402-17</td></tr> <tr><td>1M250PS/1F40</td><td>250W ED28 PULSE START MH - 40W CIRC T5</td><td>A</td><td>E402-17</td></tr> <tr><td>1M350PS/1F40</td><td>350W ED28 PULSE START MH - 40W CIRC T5</td><td>A</td><td>E402-17</td></tr> <tr><td>1M400/1F40</td><td>400W BT28 MH - 40W CIRC T5</td><td>A</td><td>E402-17</td></tr> <tr><td>1M400PS/1F40</td><td>400W BT28 PULSE START MH - 40W CIRC T5</td><td>A</td><td>E402-17</td></tr> <tr><td>3N150</td><td>(3) 150W A21 INC</td><td>B</td><td>NA</td></tr> <tr><td>3T250</td><td>(3) 250W T10 QTZ</td><td>B</td><td>NA</td></tr> <tr><td>6F40/1F40¹</td><td>(6) FT40W/2G11 - 40W CIRC T5</td><td>C</td><td>E433-87</td></tr> <tr><td>6F40DM/1F40¹</td><td>(6) FT40W/2G11 - 40W CIRC T5</td><td>C</td><td>E433-87</td></tr> <tr><td>6F55/1F40¹</td><td>(6) FT55W/2G11 - 40W CIRC T5</td><td>C</td><td>E433-87</td></tr> </table>	1M100PSC/1F40	100W ED17 PULSE START CERAMIC MH - 40W CIRC T5	A	E402-17	1M150PSC/1F40	150W ED17 PULSE START CERAMIC MH - 40W CIRC T5	A	E402-17	1M250/1F40	250W BT28 MH - 40W CIRC T5	A	E402-17	1M250PS/1F40	250W ED28 PULSE START MH - 40W CIRC T5	A	E402-17	1M350PS/1F40	350W ED28 PULSE START MH - 40W CIRC T5	A	E402-17	1M400/1F40	400W BT28 MH - 40W CIRC T5	A	E402-17	1M400PS/1F40	400W BT28 PULSE START MH - 40W CIRC T5	A	E402-17	3N150	(3) 150W A21 INC	B	NA	3T250	(3) 250W T10 QTZ	B	NA	6F40/1F40¹	(6) FT40W/2G11 - 40W CIRC T5	C	E433-87	6F40DM/1F40¹	(6) FT40W/2G11 - 40W CIRC T5	C	E433-87	6F55/1F40¹	(6) FT55W/2G11 - 40W CIRC T5	C	E433-87	<p>Optical Pkg. Photometry</p> <p>120</p> <p>277</p>	<p>PT__ Painted. (Include Paint Number.)</p> <p>PBR Polished solid brass</p> <p>BBR Brushed solid brass</p> <p>ABR Antique solid brass</p> <p>CPBR Chrome plated polished brass</p> <p>BAL Brushed aluminum</p> <p>ABST Antique brass over steel</p> <p>BBST Brushed brass over steel</p> <p>CPST Polished chrome over steel</p> <p>PBST Polished brass over steel</p> <p><i>See Finish Selection Guide, pages 268-269.</i></p>	<p>OAH__ Pendant length other than standard. (Provide fixture height in inches.)</p> <p>F Fuse option (M and F)</p> <p>RPI Remote ballast support tray</p> <p>EMI¹ Emergency ballast(s) integral</p> <p>EMR Emergency ballast(s) remote</p> <p>SBA Sandblasted acrylic</p> <p>SS Separate switching</p> <p>HP01 Silver hand-painted acrylic</p> <p>HP02 Beige hand-painted acrylic</p> <p>HP03 Amber hand-painted acrylic</p> <p><i>For further detail on options, see Technical Notes on page 264.</i></p>
1M100PSC/1F40	100W ED17 PULSE START CERAMIC MH - 40W CIRC T5	A	E402-17																																																	
1M150PSC/1F40	150W ED17 PULSE START CERAMIC MH - 40W CIRC T5	A	E402-17																																																	
1M250/1F40	250W BT28 MH - 40W CIRC T5	A	E402-17																																																	
1M250PS/1F40	250W ED28 PULSE START MH - 40W CIRC T5	A	E402-17																																																	
1M350PS/1F40	350W ED28 PULSE START MH - 40W CIRC T5	A	E402-17																																																	
1M400/1F40	400W BT28 MH - 40W CIRC T5	A	E402-17																																																	
1M400PS/1F40	400W BT28 PULSE START MH - 40W CIRC T5	A	E402-17																																																	
3N150	(3) 150W A21 INC	B	NA																																																	
3T250	(3) 250W T10 QTZ	B	NA																																																	
6F40/1F40¹	(6) FT40W/2G11 - 40W CIRC T5	C	E433-87																																																	
6F40DM/1F40¹	(6) FT40W/2G11 - 40W CIRC T5	C	E433-87																																																	
6F55/1F40¹	(6) FT55W/2G11 - 40W CIRC T5	C	E433-87																																																	

DM = Dimming ballast(s) provided

If Photometry is not available, consult factory for further details.

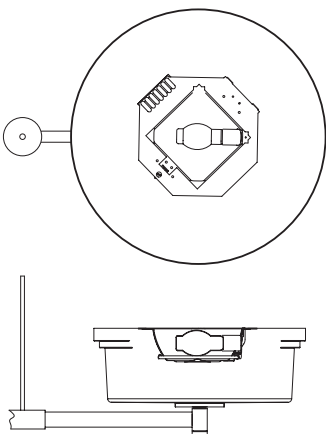
¹Denotes lamping options available with EMI

The lamping is per bowl of the Chandelier.

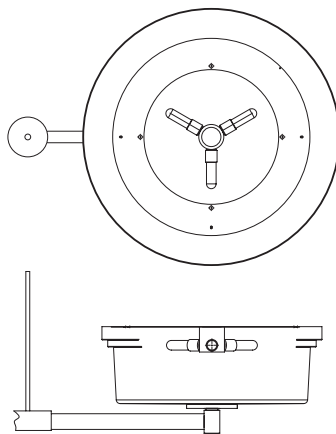
OPTICAL PACKAGES

A

Symmetrical Indirect



B



C

Symmetrical Indirect

