

Cone Chandeliers



RIP2122
Chrome Plated Polished Brass



RIP2126
Chrome Plated Polished Brass

24" 32"

Sloped Trim



RIP2130
Chrome Plated Polished Brass



RIP2134
Chrome Plated Polished Brass

Cone Chandeliers-24"

RENAISSANCE

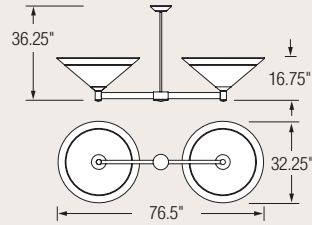
24"

Specifications:

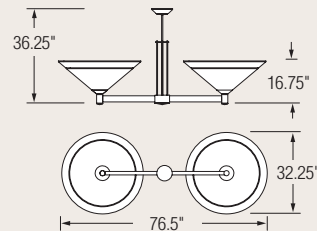
- Trim rings are spun from .063" thick base material (brass or aluminum) or 18 gauge steel (plated or painted).
- Chassis is formed from 18 gauge cold-rolled steel.
- 3/8 IP (.688" dia.) stem with a 1/2 IP (.875" dia.) sleeve.
- Formed acrylic bowl with a minimum wall thickness of .118". Opal finish is standard.
- Hinged optical tray for easy replacement of lamps and ballasts without removal of the bowl.
- Integral fluorescent ballasts are HPF electronic with low harmonic distortion.
- Ballasts are thermally protected.
- Fluorescent ballasts have a Class "A" sound rating.
- Inner steel support bracket attaches to 4" octagonal box.
- 45° swivel canopy is standard and meets all earthquake related codes.
- UL listed (US and Canada) for damp locations. (Not recommended for exterior use.)

Design modification rights reserved.

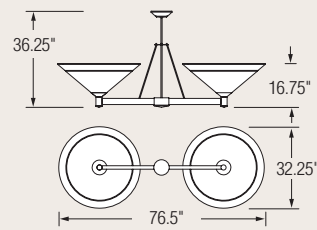
Sloped Trim 2-Bowl



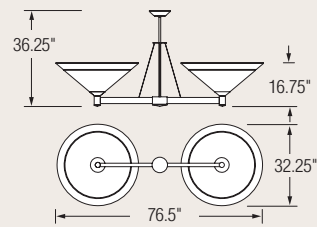
RIP2120



RIP2124

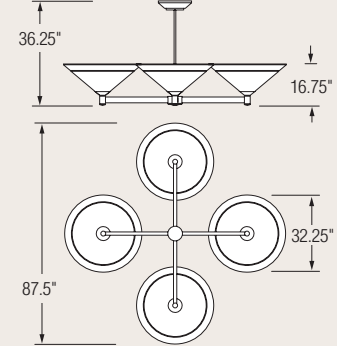


RIP2128

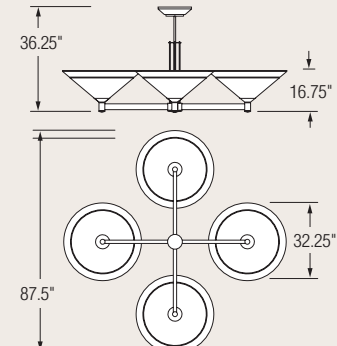


RIP2132

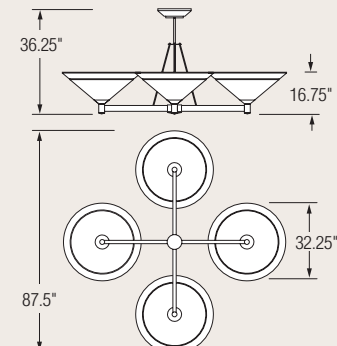
Sloped Trim 4-Bowl



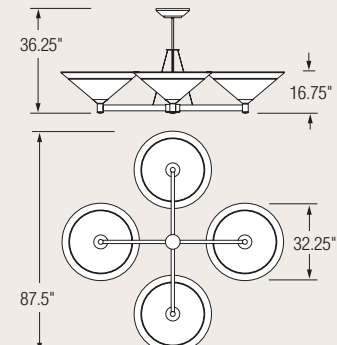
RIP2140



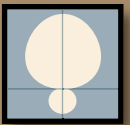
RIP2144



RIP2148



RIP2152



A
Symmetrical
Indirect

Sample model number: **STYLE** **LAMPING** **VOLTAGE** **FINISH** **OPTION**
RIP2120 - 2F39/1F22 - 120 - BAL - HP02

Select Style

Select any Lamping
(indirect/bowl illumination)

Select Voltage

Select Finish

Select Options

2-BOWL

4-BOWL

- RIP2120
- RIP2124
- RIP2128
- RIP2132

- RIP2140
- RIP2144
- RIP2148
- RIP2152

| | Lamping Detail (indirect - bowl illumination) | Optical Pkg. Photometry |
|--------------------|--|----------------------------|
| 2F27/1F22 | (2) FT27W/2G11 - 22W CIRC T5 | A E433-71 |
| 2F39/1F22 | (2) FT39W/2G11 - 22W CIRC T5 | A E433-71 |
| 2F39DM/1F22 | (2) FT39W/2G11 - 22W CIRC T5 | A E433-71 |

DM = Dimming ballast(s) provided
The lamping is per bowl of the Chandelier.

*If Photometry is not available,
consult factory for further details.*

- 120
- 277

| | |
|--------------|----------------------------------|
| PT __ | Painted. (Include Paint Number.) |
| PBR | Polished solid brass |
| BBR | Brushed solid brass |
| ABR | Antique solid brass |
| CPBR | Chrome plated polished brass |
| BAL | Brushed aluminum |
| ABST | Antique brass over steel |
| BBST | Brushed brass over steel |
| CPST | Polished chrome over steel |
| PBST | Polished brass over steel |

*See Finish Selection Guide,
pages 268-269.*

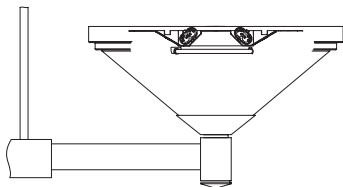
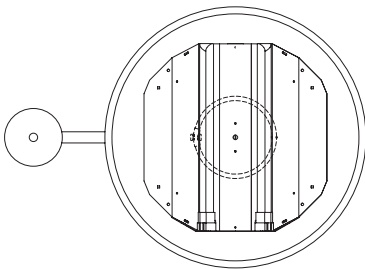
| | |
|---------------|---|
| OAH __ | Pendant length other than standard. (Provide fixture height in inches.) |
| F | Fuse option |
| EMR | Emergency ballast(s) remote |
| SAJ | Contemporary ballast canopy |
| SBA | Sandblasted acrylic |
| SS | Separate switching |
| HP01 | Silver hand-painted acrylic |
| HP02 | Beige hand-painted acrylic |
| HP03 | Amber hand-painted acrylic |

*For further detail on options,
see Technical Notes on page 264.*

OPTICAL PACKAGES

A

Symmetrical Indirect



Cone Chandeliers-32"

RENAISSANCE

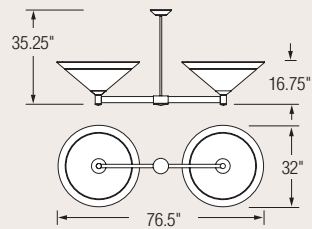
32"

Specifications:

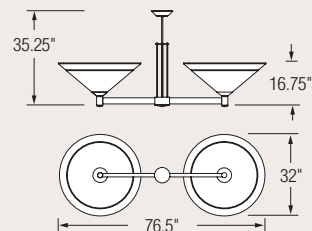
- Trim rings are spun from .063" thick base material (brass or aluminum) or 18 gauge steel (plated or painted).
- Chassis is formed from 18 gauge cold-rolled steel.
- 3/8 IP (.688" dia.) stem with a 1/2 IP (.875" dia.) sleeve.
- Formed acrylic bowl with a minimum wall thickness of .118". Opal finish is standard.
- Hinged optical tray for easy replacement of lamps and ballasts without removal of the bowl.
- Integral fluorescent ballasts are HPF electronic with low harmonic distortion.
- Ballasts are thermally protected.
- Fluorescent ballasts have a Class "A" sound rating.
- Inner steel support bracket attaches to 4" octagonal box.
- 45° swivel canopy is standard and meets all earthquake related codes.
- UL listed (US and Canada) for damp locations. (Not recommended for exterior use.)

Design modification rights reserved.

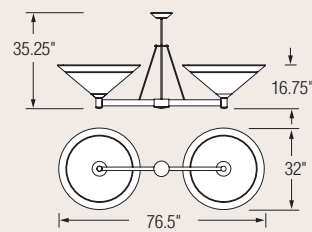
Sloped Trim 2-Bowl



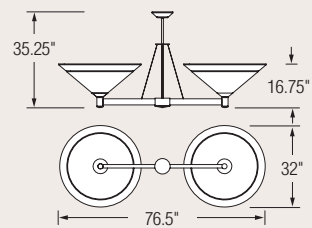
RIP2122



RIP2126

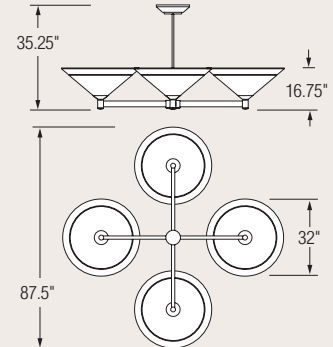


RIP2130

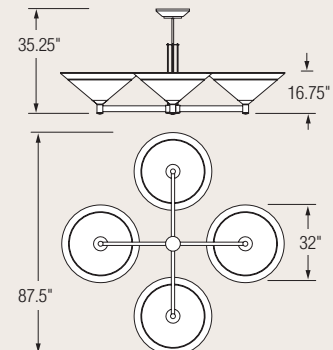


RIP2134

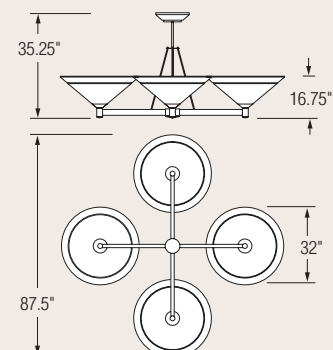
Sloped Trim 4-Bowl



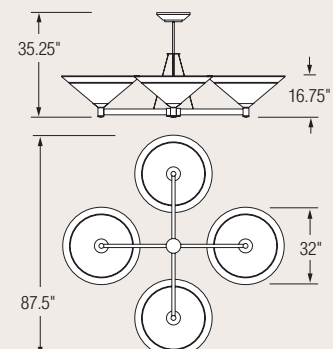
RIP2142



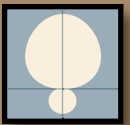
RIP2146



RIP2150



RIP2154



B
Symmetrical
Indirect

Sample model number: **RIP2122 - 6F40/1F40 - 120 - BAL - HP02**

STYLE LAMPING VOLTAGE FINISH OPTION

Select Style

Select any Lamping
(indirect/bowl illumination)

Select Voltage

Select Finish

Select Options

2-BOWL

4-BOWL

- RIP2122
- RIP2126
- RIP2130
- RIP2134
- RIP2142
- RIP2146
- RIP2150
- RIP2154

| Lamping Detail (indirect - bowl illumination) | Optical Pkg. Photometry |
|---|----------------------------|
| 3N150 (3) 150W A21 INC | A E433-87 |
| 3T250 (3) 250W T10 QTZ | A E433-87 |
| 6F40/1F40¹ (6) FT40W/2G11 - 40W CIRC T5 | B E433-87 |
| 6F40DM/1F40¹ (6) FT40W/2G11 - 40W CIRC T5 | B E433-87 |
| 6F55/1F40¹ (6) FT55W/2G11 - 40W CIRC T5 | B E433-87 |

DM = Dimming ballast(s) provided

¹Denotes lamping options available with EMI

The lamping is per bowl of the Chandelier.

*If Photometry is not available,
consult factory for further details.*

- 120
- 277

| | |
|--------------|----------------------------------|
| PT __ | Painted. (Include Paint Number.) |
| PBR | Polished solid brass |
| BBR | Brushed solid brass |
| ABR | Antique solid brass |
| CPBR | Chrome plated polished brass |
| BAL | Brushed aluminum |
| ABST | Antique brass over steel |
| BBST | Brushed brass over steel |
| CPST | Polished chrome over steel |
| PBST | Polished brass over steel |

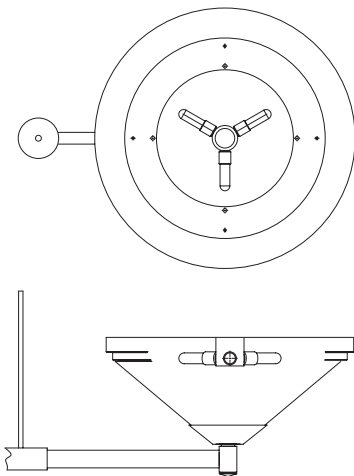
*See Finish Selection Guide,
pages 268-269.*

| | |
|-------------------------|---|
| OAH __ | Pendant length other than standard. (Provide fixture height in inches.) |
| F | Fuse option |
| EMI ¹ | Emergency ballast(s) integral |
| EMR | Emergency ballast(s) remote |
| SAJ | Contemporary ballast canopy |
| SBA | Sandblasted acrylic |
| SS | Separate switching |
| HP01 | Silver hand-painted acrylic |
| HP02 | Beige hand-painted acrylic |
| HP03 | Amber hand-painted acrylic |

*For further detail on options,
see Technical Notes on page 264.*

OPTICAL PACKAGES

A



B

Symmetrical Indirect

