

Cone Chandeliers



RIP2174
Brushed Aluminum



RIP2162
Brushed Aluminum

24" 32"

Stepped Trim



RIP2166
Brushed Aluminum



RIP2170
Brushed Aluminum

Cone Chandeliers-24"

RENAISSANCE

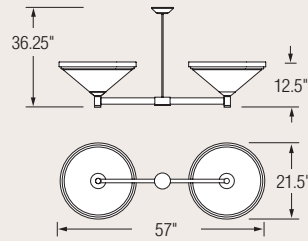
24"

Specifications:

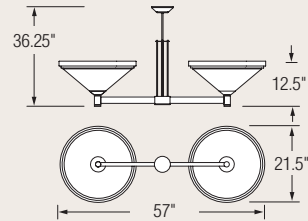
- Trim rings are spun from .063" thick base material (brass or aluminum) or 18 gauge steel (plated or painted).
- Chassis is formed from 18 gauge cold-rolled steel.
- 3/8 IP (.688" dia.) stem with a 1/2 IP (.875" dia.) sleeve.
- Formed acrylic bowl with a minimum wall thickness of .118". Opal finish is standard.
- Hinged optical tray for easy replacement of lamps and ballasts without removal of the bowl.
- Integral fluorescent ballasts are HPF electronic with low harmonic distortion.
- Ballasts are thermally protected.
- Fluorescent ballasts have a Class "A" sound rating.
- Inner steel support bracket attaches to 4" octagonal box.
- 45° swivel canopy is standard and meets all earthquake related codes.
- UL listed (US and Canada) for damp locations. (Not recommended for exterior use.)

Design modification rights reserved.

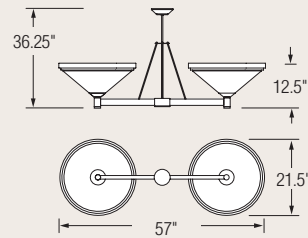
Stepped Trim 2-Bowl



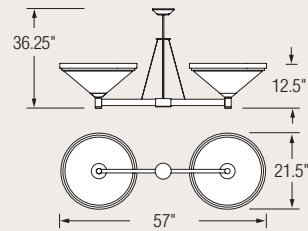
RIP2160



RIP2164

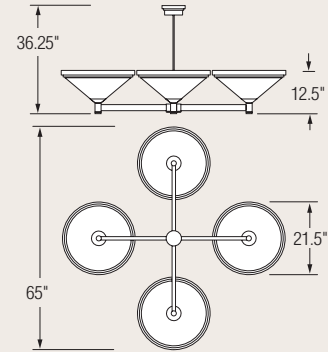


RIP2168

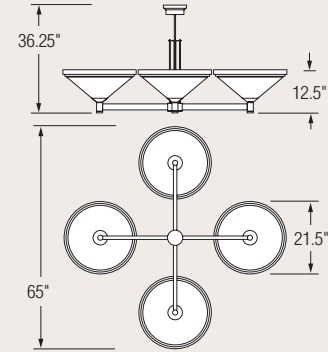


RIP2172

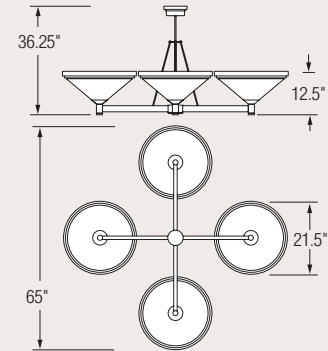
Stepped Trim 4-Bowl



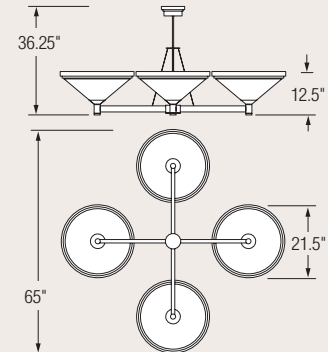
RIP2180



RIP2184



RIP2188



RIP2192



A
Symmetrical
Indirect

Sample model number: **RIP2160 - 2F39/1F22 - 120 - BAL - HP02**

Select Style

Select any Lamping
(indirect/bowl illumination)

Select Voltage

Select Finish

Select Options

2-BOWL

4-BOWL

- RIP2160
- RIP2164
- RIP2168
- RIP2172

- RIP2180
- RIP2184
- RIP2188
- RIP2192

	Lamping Detail (indirect - bowl illumination)	Optical Pkg. Photometry
2F27/1F22	(2) FT27W/2G11 - 22W CIRC T5	A E433-71
2F39/1F22	(2) FT39W/2G11 - 22W CIRC T5	A E433-71
2F39DM/1F22	(2) FT39W/2G11 - 22W CIRC T5	A E433-71

DM = Dimming ballast(s) provided
The lamping is per bowl of the Chandelier.

*If Photometry is not available,
consult factory for further details.*

- 120
- 277

PT __	Painted. (Include Paint Number.)
PBR	Polished solid brass
BBR	Brushed solid brass
ABR	Antique solid brass
CPBR	Chrome plated polished brass
BAL	Brushed aluminum
ABST	Antique brass over steel
BBST	Brushed brass over steel
CPST	Polished chrome over steel
PBST	Polished brass over steel

*See Finish Selection Guide,
pages 268-269.*

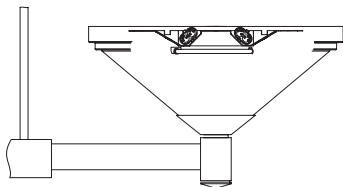
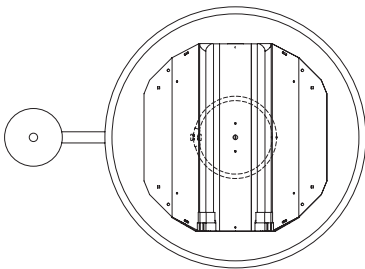
OAH __	Pendant length other than standard. (Provide fixture height in inches.)
F	Fuse option
EMR	Emergency ballast(s) remote
SAJ	Contemporary ballast canopy
SBA	Sandblasted acrylic
SS	Separate switching
HP01	Silver hand-painted acrylic
HP02	Beige hand-painted acrylic
HP03	Amber hand-painted acrylic

*For further detail on options,
see Technical Notes on page 264.*

OPTICAL PACKAGES

A

Symmetrical Indirect



Cone Chandeliers-32"

RENAISSANCE

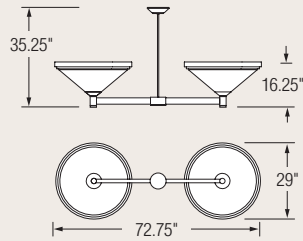
32"

Specifications:

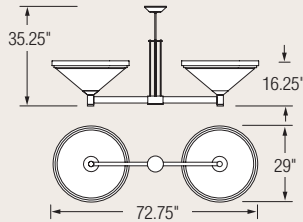
- Trim rings are spun from .063" thick base material (brass or aluminum) or 18 gauge steel (plated or painted).
- Chassis is formed from 18 gauge cold-rolled steel.
- 3/8 IP (.688" dia.) stem with a 1/2 IP (.875" dia.) sleeve.
- Formed acrylic bowl with a minimum wall thickness of .118". Opal finish is standard.
- Hinged optical tray for easy replacement of lamps and ballasts without removal of the bowl.
- Integral fluorescent ballasts are HPF electronic with low harmonic distortion.
- Ballasts are thermally protected.
- Fluorescent ballasts have a Class "A" sound rating.
- Inner steel support bracket attaches to 4" octagonal box.
- 45° swivel canopy is standard and meets all earthquake related codes.
- UL listed (US and Canada) for damp locations. (Not recommended for exterior use.)

Design modification rights reserved.

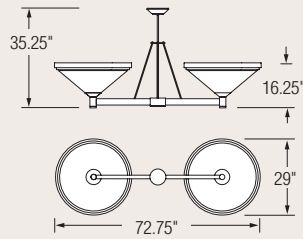
Stepped Trim 2-Bowl



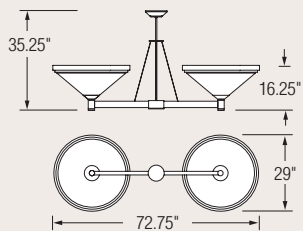
RIP2162



RIP2166

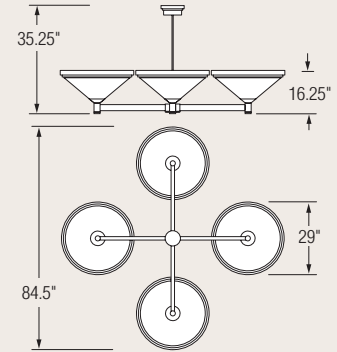


RIP2170

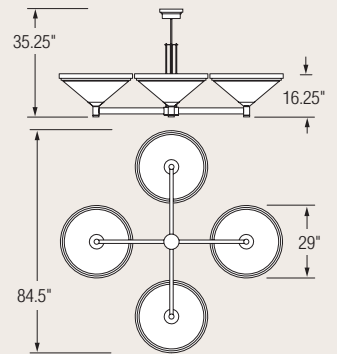


RIP2174

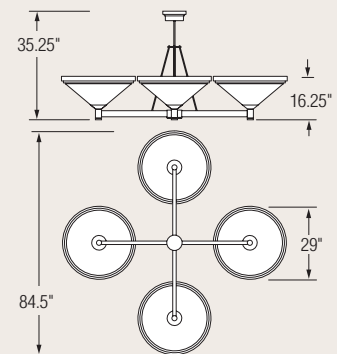
Stepped Trim 4-Bowl



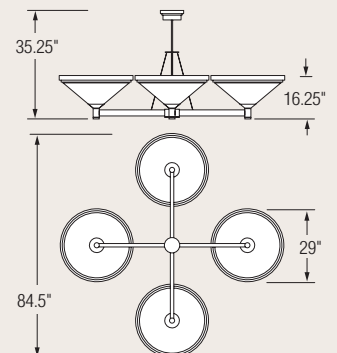
RIP2182



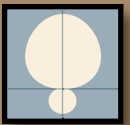
RIP2186



RIP2190



RIP2194



B
Symmetrical
Indirect

Sample model number: **RIP2162 - 6F40/1F40 - 120 - BAL - HP02**

STYLE LAMPING VOLTAGE FINISH OPTION

Select Style

Select any Lamping
(indirect/bowl illumination)

Select Voltage

Select Finish

Select Options

2-BOWL

4-BOWL

- RIP2162
- RIP2166
- RIP2170
- RIP2174
- RIP2182
- RIP2186
- RIP2190
- RIP2194

Lamping Detail (indirect - bowl illumination)	Optical Pkg. Photometry
3N150 (3) 150W A21 INC	A NA
3T250 (3) 250W T10 QTZ	A NA
6F40/1F40¹ (6) FT40W/2G11 - 40W CIRC T5	B E433-87
6F40DM/1F40¹ (6) FT40W/2G11 - 40W CIRC T5	B E433-87
6F55/1F40¹ (6) FT55W/2G11 - 40W CIRC T5	B E433-87

DM = Dimming ballast(s) provided

¹Denotes lamping options available with EMI

The lamping is per bowl of the Chandelier.

*If Photometry is not available,
consult factory for further details.*

- 120
- 277

PT __	Painted. (Include Paint Number.)
PBR	Polished solid brass
BBR	Brushed solid brass
ABR	Antique solid brass
CPBR	Chrome plated polished brass
BAL	Brushed aluminum
ABST	Antique brass over steel
BBST	Brushed brass over steel
CPST	Polished chrome over steel
PBST	Polished brass over steel

*See Finish Selection Guide,
pages 268-269.*

OAH __	Pendant length other than standard. (Provide fixture height in inches.)
F	Fuse option
EMI ¹	Emergency ballast(s) integral
EMR	Emergency ballast(s) remote
SAJ	Contemporary ballast canopy
SBA	Sandblasted acrylic
SS	Separate switching
HP01	Silver hand-painted acrylic
HP02	Beige hand-painted acrylic
HP03	Amber hand-painted acrylic

*For further detail on options,
see Technical Notes on page 264.*

OPTICAL PACKAGES

A

B

Symmetrical Indirect

