

# Classic Chandeliers



RIP1686  
Painted—Pearl White



RIP1682  
Painted—Pearl White

# 24" 32"

**Bullnose Trim**



RIP1690  
Painted-Pearl White



RIP1694  
Painted-Pearl White

# Classic Chandeliers-24"

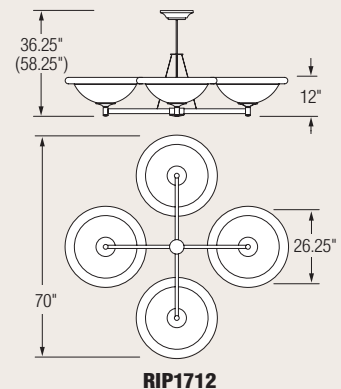
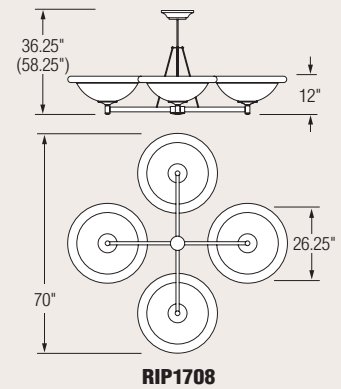
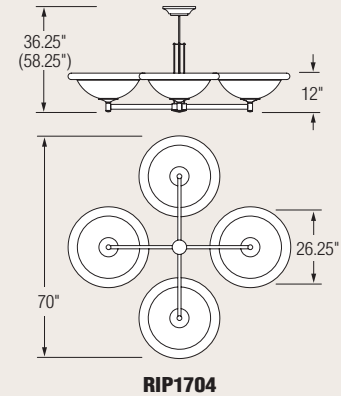
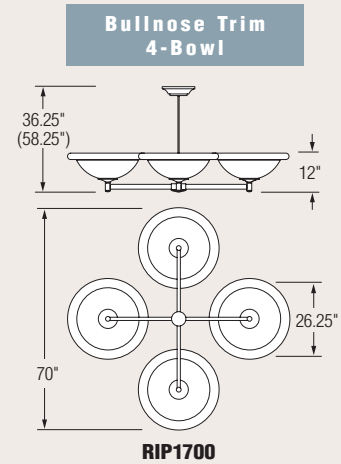
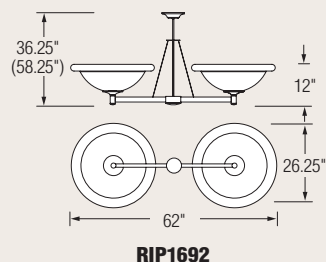
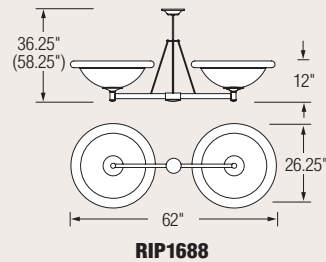
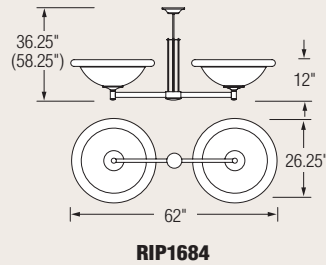
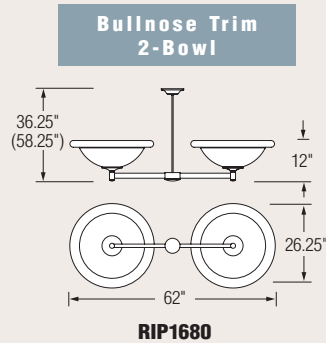
RENAISSANCE

# 24"

## Specifications:

- Trim rings are spun from .063" thick base material (brass or aluminum) or 18 gauge steel (plated or painted).
- Chassis is formed from 18 gauge cold-rolled steel.
- 3/8 IP (.688" dia.) stem with a 1/2 IP (.875" dia.) sleeve.
- Formed acrylic bowl with a minimum wall thickness of .118". Opal finish is standard.
- Hinged optical tray for easy replacement of lamps and ballasts without removal of the bowl.
- Integral fluorescent ballasts are HPF electronic with low harmonic distortion.
- H.I.D. ballasts are magnetic HX-HPF for 150 watt and below. Magnetic CWA-HPF ballasts are used for over 150 watts. H.I.D. ballasts are remote mounted.
- Ballasts are thermally protected.
- Fluorescent ballasts have a Class "A" and H.I.D. a Class "B" sound rating.
- Inner steel support bracket attaches to 4" octagonal box.
- 45° swivel canopy is standard and meets all earthquake related codes.
- UL listed (US and Canada) for damp locations. (Not recommended for exterior use.)

Design modification rights reserved.



(58.25") Overall Height of fixture with metal halide lampping.



A, D  
Symmetrical  
Indirect

Sample model number: **STYLE** **LAMPING** **VOLTAGE** **FINISH** **OPTION**  
RIP1680 - 2F39/1F22 - 120 - BAL - HP02

Select Style

Select any Lamping  
(indirect/bowl illumination)

Select Voltage

Select Finish

Select Options

2-BOWL

4-BOWL

Style	Lamping Detail (indirect - bowl illumination)	Optical Pkg. Photometry
RIP1680	1M100PSC / 1F40	100W ED17 PULSE START CERAMIC MH - 40W CIRC T5 A E402-17
RIP1684	1M150PSC / 1F40	150W ED17 PULSE START CERAMIC MH - 40W CIRC T5 A E402-17
RIP1688	1M250 / 1F40	250W BT28 MH - 40W CIRC T5 A E402-17
RIP1692	1M250PS / 1F40	250W ED28 PULSE START MH - 40W CIRC T5 A E402-17
	1M350PS / 1F40	350W ED28 PULSE START MH - 40W CIRC T5 A E402-17
RIP1700	1M400 / 1F40	400W BT28 MH - 40W CIRC T5 A E402-17
RIP1704	1M400PS / 1F40	400W ED28 PULSE START MH - 40W CIRC T5 A E402-17
RIP1708	1N300	300W PS30 INC B NA
RIP1712	2T250	(2) 250W T10 QTZ C E433-75R
	2F39 / 1F22	(2) FT39W/2G11 - 22W CIRC T5 D E433-71
	2F39DM / 1F22	(2) FT39W/2G11 - 22W CIRC T5 D E433-71

DM = Dimming ballast(s) provided  
The lamping is per bowl of the Chandelier.

If Photometry is not available,  
consult factory for further details.

120  
277

PT__	Painted. (Include Paint Number.)
PBR	Polished solid brass
BBR	Brushed solid brass
ABR	Antique solid brass
CPBR	Chrome plated polished brass
BAL	Brushed aluminum
ABST	Antique brass over steel
BBST	Brushed brass over steel
CPST	Polished chrome over steel
PBST	Polished brass over steel

See Finish Selection Guide,  
pages 268-269.

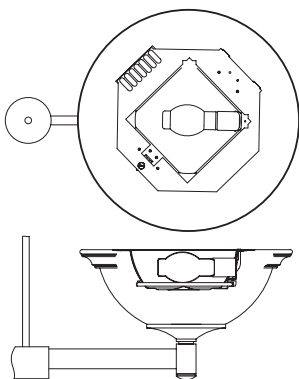
OAH__	Pendant length other than standard. (Provide fixture height in inches.)
F	Fuse option (M and F)
EMR	Emergency ballast(s) remote
SBA	Sandblasted acrylic
SAV	Traditional ballast canopy
SS	Separate switching
HP01	Silver hand-painted acrylic
HP02	Beige hand-painted acrylic
HP03	Amber hand-painted acrylic

For further detail on options,  
see Technical Notes on page 264.

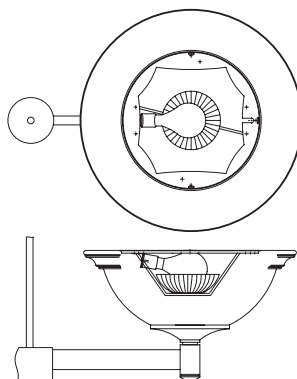
OPTICAL PACKAGES

A

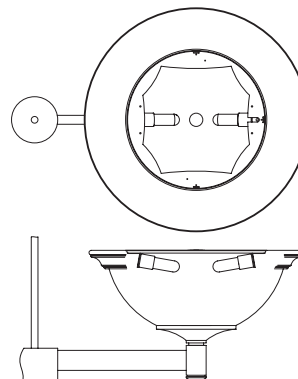
Symmetrical Indirect



B

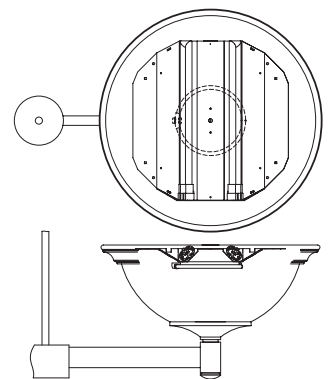


C



D

Symmetrical Indirect



# Classic Chandeliers-32"

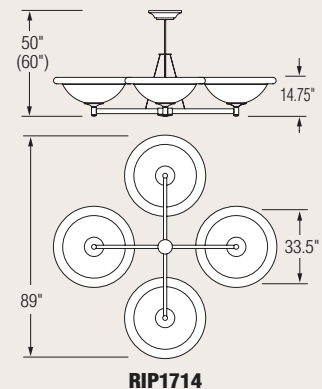
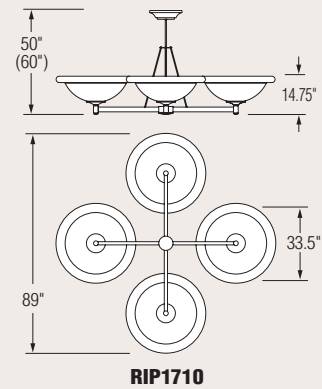
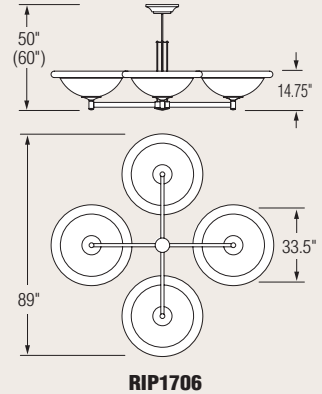
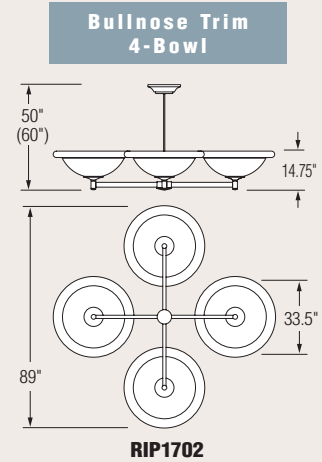
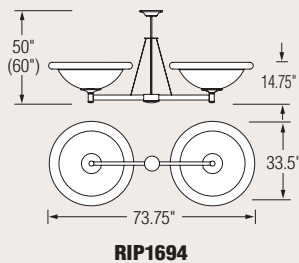
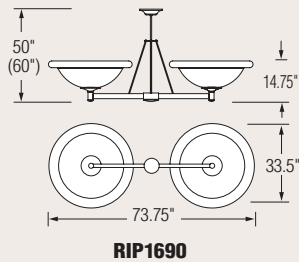
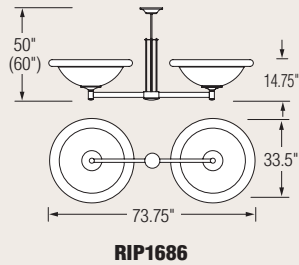
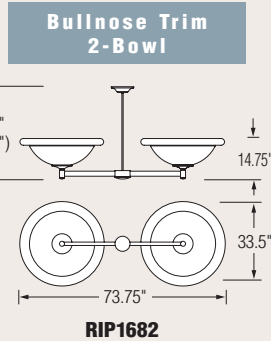
RENAISSANCE

# 32"

## Specifications:

- Trim rings are spun from .063" thick base material (brass or aluminum) or 18 gauge steel (plated or painted).
- Chassis is formed from 18 gauge cold-rolled steel.
- 3/8 IP (.688" dia.) stem with a 1/2 IP (.875" dia.) sleeve.
- Formed acrylic bowl with a minimum wall thickness of .118". Opal finish is standard.
- Hinged optical tray for easy replacement of lamps and ballasts without removal of the bowl.
- Integral fluorescent ballasts are HPF electronic with low harmonic distortion.
- H.I.D. ballasts are magnetic HX-HPF for 150 watt and below. Magnetic CWA-HPF ballasts are used for over 150 watts. H.I.D. ballasts are remote mounted.
- Ballasts are thermally protected.
- Fluorescent ballasts have a Class "A" and H.I.D. a Class "B" sound rating.
- Inner steel support bracket attaches to 4" octagonal box.
- 45° swivel canopy is standard and meets all earthquake related codes.
- UL listed (US and Canada) for damp locations. (Not recommended for exterior use.)

Design modification rights reserved.



(60") Overall Height of fixture with metal halide lamping.



A, C  
Symmetrical  
Indirect

Sample model number: **STYLE** **LAMPING** **VOLTAGE** **FINISH** **OPTION**  
RIP1682 - 6F55/1F40 - 120 - BAL - HP02

Select Style

Select any Lamping  
(indirect/bowl illumination)

Select Voltage

Select Finish

Select Options

2-BOWL

4-BOWL

Select Style	Select any Lamping (indirect/bowl illumination)	Lamping Detail (indirect - bowl illumination)	Optical Pkg.	Photometry
RIP1682	1M100PSC / 1F40	100W ED17 PULSE START CERAMIC MH - 40W CIRC T5	A	E402-17
RIP1686	1M150PSC / 1F40	150W ED17 PULSE START CERAMIC MH - 40W CIRC T5	A	E402-17
RIP1690	1M250 / 1F40	250W BT28 MH - 40W CIRC T5	A	E402-17
RIP1694	1M250PS / 1F40	250W ED28 PULSE START MH - 40W CIRC T5	A	E402-17
	1M350PS / 1F40	350W ED28 PULSE START MH - 40W CIRC T5	A	E402-17
RIP1702	1M400 / 1F40	400W BT28 MH - 40W CIRC T5	A	E402-17
RIP1706	1M400PS / 1F40	400W ED28 PULSE START MH - 40W CIRC T5	A	E402-17
RIP1710	3N150	(3) 150W A21 INC	B	NA
RIP1714	3T250	(3) 250W T10 QTZ	B	NA
	6F40 / 1F40 <sup>1</sup>	(6) FT40W/2G11 - 40W CIRC T5	C	E433-87
	6F40DM / 1F40 <sup>1</sup>	(6) FT40W/2G11 - 40W CIRC T5	C	E433-87
	6F55 / 1F40	(6) FT55W/2G11 - 40W CIRC T5	C	E433-87

120  
277

PT__	Painted. (Include Paint Number.)
PBR	Polished solid brass
BBR	Brushed solid brass
ABR	Antique solid brass
CPBR	Chrome plated polished brass
BAL	Brushed aluminum
ABST	Antique brass over steel
BBST	Brushed brass over steel
CPST	Polished chrome over steel
PBST	Polished brass over steel

See Finish Selection Guide, pages 268-269.

OAH__	Pendant length other than standard. (Provide fixture height in inches.)
F	Fuse option (M and F)
EMI <sup>1</sup>	Emergency ballast(s) integral
EMR	Emergency ballast(s) remote
SBA	Sandblasted acrylic
SAJ	Contemporary ballast canopy
SS	Separate switching
HP01	Silver hand-painted acrylic
HP02	Beige hand-painted acrylic
HP03	Amber hand-painted acrylic

For further detail on options, see Technical Notes on page 264.

DM = Dimming ballast(s) provided

If Photometry is not available, consult factory for further details.

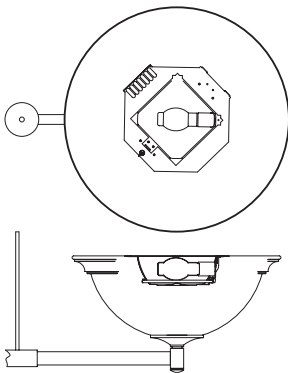
<sup>1</sup>Denotes lamping options available with EMI

The lamping is per bowl of the Chandelier.

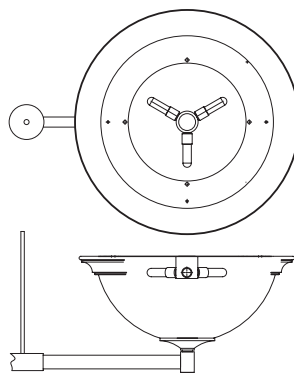
OPTICAL PACKAGES

A

Symmetrical Indirect



B



C

Symmetrical Indirect

