

Classic Chandeliers



RIP1602
Polished Brass

RIP1614
Polished Brass

24" 32"

Traditional Trim



RIP1606
Polished Brass



RIP1610
Polished Brass

Classic Chandeliers-24"

RENAISSANCE

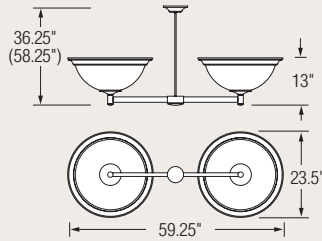
24"

Specifications:

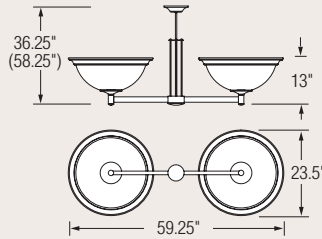
- Trim rings are spun from .063" thick base material (brass or aluminum) or 18 gauge steel (plated or painted).
- Chassis is formed from 18 gauge cold-rolled steel.
- 3/8 IP (.688" dia.) stem with a 1/2 IP (.875" dia.) sleeve.
- Formed acrylic bowl with a minimum wall thickness of .118". Opal finish is standard.
- Hinged optical tray for easy replacement of lamps and ballasts without removal of the bowl.
- Integral fluorescent ballasts are HPF electronic with low harmonic distortion.
- H.I.D. ballasts are magnetic HX-HPF for 150 watt and below. Magnetic CWA-HPF ballasts are used for over 150 watts. H.I.D. ballasts are remote mounted.
- Ballasts are thermally protected.
- Fluorescent ballasts have a Class "A" and H.I.D. a Class "B" sound rating.
- Inner steel support bracket attaches to 4" octagonal box.
- 45° swivel canopy is standard and meets all earthquake related codes.
- UL listed (US and Canada) for damp locations. (Not recommended for exterior use.)

Design modification rights reserved.

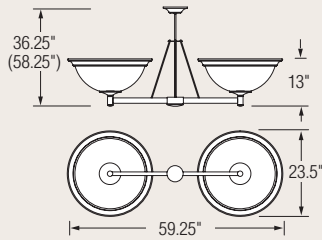
Traditional Trim 2-Bowl



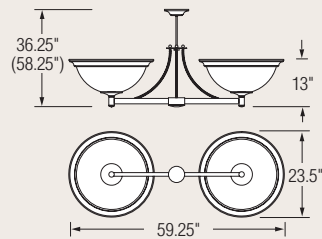
RIP1600



RIP1604

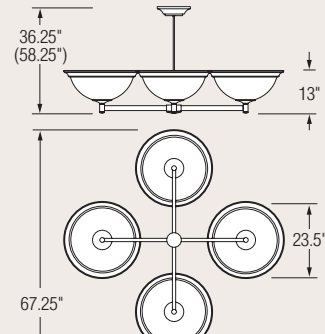


RIP1608

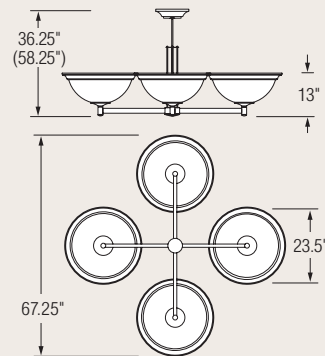


RIP1612

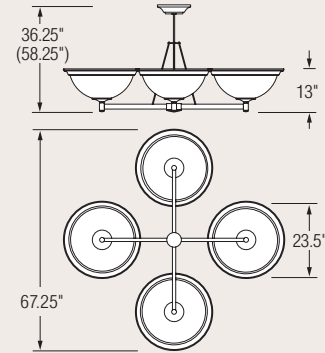
Traditional Trim 4-Bowl



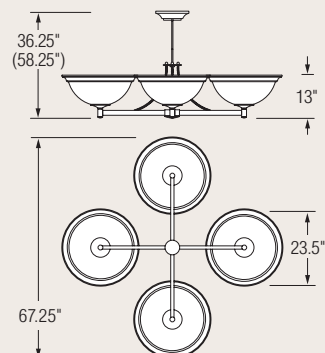
RIP1620



RIP1624

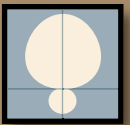


RIP1628



RIP1632

(58.25") Overall Height of fixture with metal halide lamping.



A, D
Symmetrical
Indirect

Sample model number: **STYLE** **LAMPING** **VOLTAGE** **FINISH** **OPTION**
RIP1600 - 2F39/1F22 - 120 - BAL - HP02

Select Style

Select any Lamping
(indirect/bowl illumination)

Select Voltage

Select Finish

Select Options

2-BOWL

4-BOWL

Select Style	Select any Lamping (indirect/bowl illumination)	Lamping Detail (indirect - bowl illumination)	Optical Pkg. Photometry
RIP1600	1M100PSC / 1F40	100W ED17 PULSE START CERAMIC MH - 40W CIRC T5	A E402-17
RIP1604	1M150PSC / 1F40	150W ED17 PULSE START CERAMIC MH - 40W CIRC T5	A E402-17
RIP1608	1M250 / 1F40	250W BT28 MH - 40W CIRC T5	A E402-17
RIP1612	1M250PS / 1F40	250W ED28 PULSE START MH - 40W CIRC T5	A E402-17
	1M350PS / 1F40	350W ED28 PULSE START MH - 40W CIRC T5	A E402-17
RIP1620	1M400 / 1F40	400W BT28 MH - 40W CIRC T5	A E402-17
RIP1624	1M400PS / 1F40	400W ED28 PULSE START MH - 40W CIRC T5	A E402-17
RIP1628	1N300	300W PS30 INC	B NA
RIP1632	2T250	(2) 250W T10 QTZ	C E433-75R
	2F39 / 1F22	(2) FT39W/2G11 - 22W CIRC T5	D E433-71
	2F39DM / 1F22	(2) FT39W/2G11 - 22W CIRC T5	D E433-71

DM = Dimming ballast(s) provided
The lamping is per bowl of the Chandelier.

If Photometry is not available,
consult factory for further details.

120
277

PT__	Painted. (Include Paint Number.)
PBR	Polished solid brass
BBR	Brushed solid brass
ABR	Antique solid brass
CPBR	Chrome plated polished brass
BAL	Brushed aluminum
ABST	Antique brass over steel
BBST	Brushed brass over steel
CPST	Polished chrome over steel
PBST	Polished brass over steel

See Finish Selection Guide,
pages 268-269.

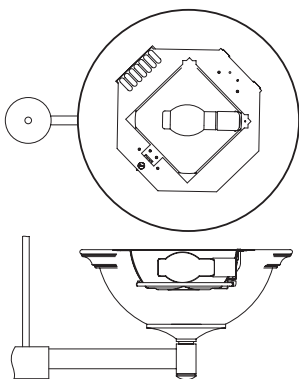
OAH__	Pendant length other than standard. (Provide fixture height in inches.)
F	Fuse option (M and F)
EMR	Emergency ballast(s) remote
SBA	Sandblasted acrylic
SAV	Traditional ballast canopy
SS	Separate switching
HP01	Silver hand-painted acrylic
HP02	Beige hand-painted acrylic
HP03	Amber hand-painted acrylic

For further detail on options,
see Technical Notes on page 264.

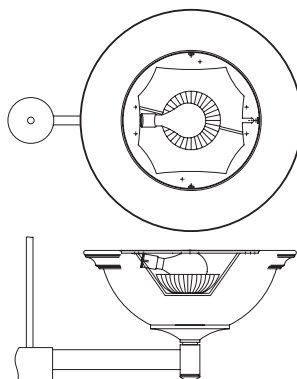
OPTICAL PACKAGES

A

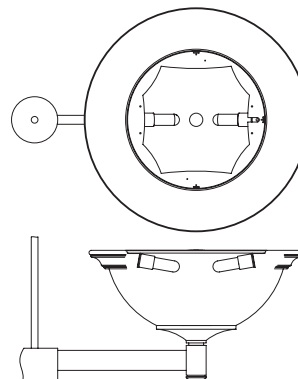
Symmetrical Indirect



B

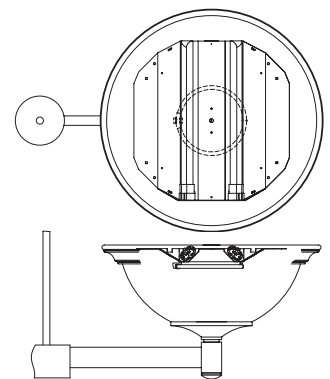


C



D

Symmetrical Indirect



Classic Chandeliers-32"

RENAISSANCE

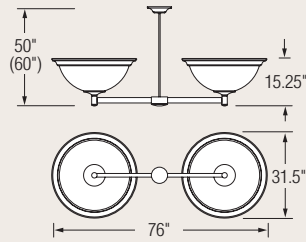
32"

Specifications:

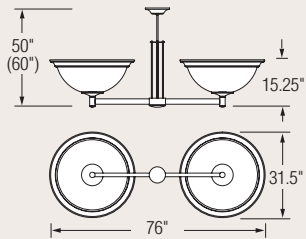
- Trim rings are spun from .063" thick base material (brass or aluminum) or 18 gauge steel (plated or painted).
- Chassis is formed from 18 gauge cold-rolled steel.
- 3/8 IP (.688" dia.) stem with a 1/2 IP (.875" dia.) sleeve.
- Formed acrylic bowl with a minimum wall thickness of .118". Opal finish is standard.
- Hinged optical tray for easy replacement of lamps and ballasts without removal of the bowl.
- Integral fluorescent ballasts are HPF electronic with low harmonic distortion.
- H.I.D. ballasts are magnetic HX-HPF for 150 watt and below. Magnetic CWA-HPF ballasts are used for over 150 watts. H.I.D. ballasts are remote mounted.
- Ballasts are thermally protected.
- Fluorescent ballasts have a Class "A" and H.I.D. a Class "B" sound rating.
- Inner steel support bracket attaches to 4" octagonal box.
- 45° swivel canopy is standard and meets all earthquake related codes.
- UL listed (US and Canada) for damp locations. (Not recommended for exterior use.)

Design modification rights reserved.

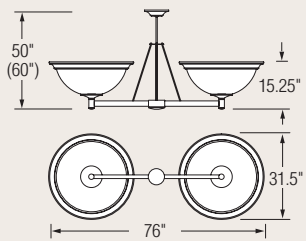
Traditional Trim 2-Bowl



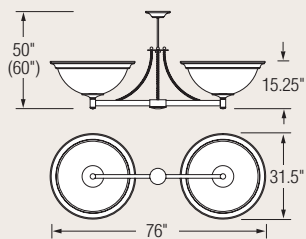
RIP1602



RIP1606

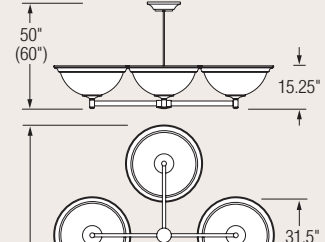


RIP1610

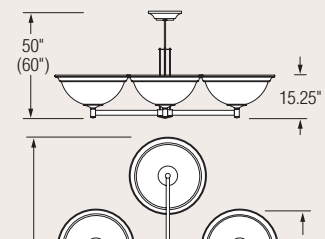


RIP1614

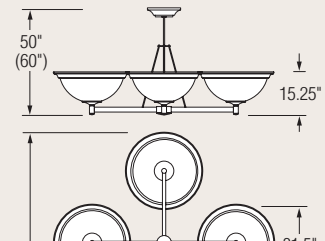
Traditional Trim 4-Bowl



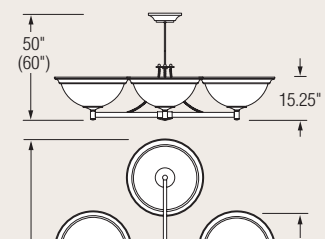
RIP1622



RIP1626

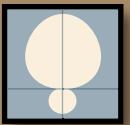


RIP1630



RIP1634

(60") Overall Height of fixture with metal halide lamping.



A, C
Symmetrical
Indirect

Sample model number: **STYLE** **LAMPING** **VOLTAGE** **FINISH** **OPTION**
RIP1602 - 6F55/1F40 - 120 - BAL - HP02

Select Style

Select any Lamping
(indirect/bowl illumination)

Select Voltage

Select Finish

Select Options

2-BOWL

4-BOWL

Style	Lamping Detail (indirect - bowl illumination)	Optical Pkg.	Photometry
RIP1602	1M100PSC / 1F40	100W ED17 PULSE START CERAMIC MH - 40W CIRC T5	A E402-17
RIP1606	1M150PSC / 1F40	150W ED17 PULSE START CERAMIC MH - 40W CIRC T5	A E402-17
RIP1610	1M250 / 1F40	250W BT28 MH - 40W CIRC T5	A E402-17
RIP1614	1M250PS / 1F40	250W ED28 PULSE START MH - 40W CIRC T5	A E402-17
	1M350PS / 1F40	350W ED28 PULSE START MH - 40W CIRC T5	A E402-17
RIP1622	1M400 / 1F40	400W BT28 MH - 40W CIRC T5	A E402-17
RIP1626	1M400PS / 1F40	400W ED28 PULSE START MH - 40W CIRC T5	A E402-17
RIP1630	3N150	(3) 150W A21 INC	B NA
RIP1634	3T250	(3) 250W T10 QTZ	B NA
	6F40 / 1F40 ¹	(6) FT40W/2G11 - 40W CIRC T5	C E433-87
	6F40DM / 1F40 ¹	(6) FT40W/2G11 - 40W CIRC T5	C E433-87
	6F55 / 1F40	(6) FT55W/2G11 - 40W CIRC T5	C E433-87

120
277

PT__	Painted. (Include Paint Number.)
PBR	Polished solid brass
BBR	Brushed solid brass
ABR	Antique solid brass
CPBR	Chrome plated polished brass
BAL	Brushed aluminum
ABST	Antique brass over steel
BBST	Brushed brass over steel
CPST	Polished chrome over steel
PBST	Polished brass over steel

OAH__	Pendant length other than standard. (Provide fixture height in inches.)
F	Fuse option (M and F)
EMI ¹	Emergency ballast(s) integral
EMR	Emergency ballast(s) remote
SBA	Sandblasted acrylic
SAV	Traditional ballast canopy
SS	Separate switching
HP01	Silver hand-painted acrylic
HP02	Beige hand-painted acrylic
HP03	Amber hand-painted acrylic

See Finish Selection Guide, pages 268-269.

For further detail on options, see Technical Notes on page 264.

DM = Dimming ballast(s) provided

If Photometry is not available, consult factory for further details.

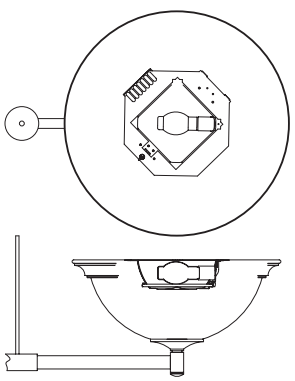
¹Denotes lamping options available with EMI

The lamping is per bowl of the Chandelier.

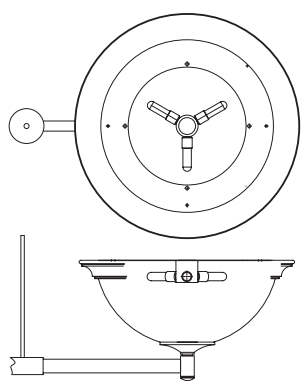
OPTICAL PACKAGES

A

Symmetrical Indirect



B



C

Symmetrical Indirect

