

# Acorn Chandeliers



RIP1722  
Antique Brass

RIP1726  
Antique Brass

24" 32"

Traditional Trim



RIP1730  
Antique Brass



RIP1734  
Antique Brass

# Acorn Chandeliers-24"

RENAISSANCE

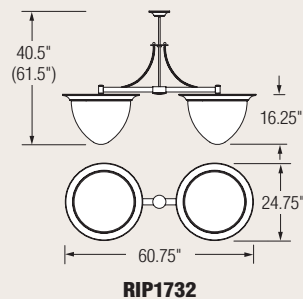
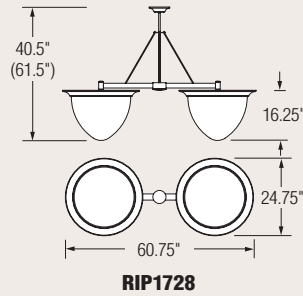
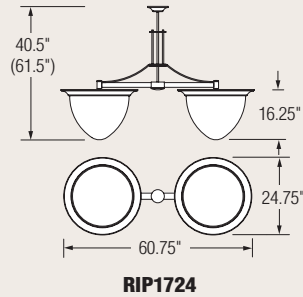
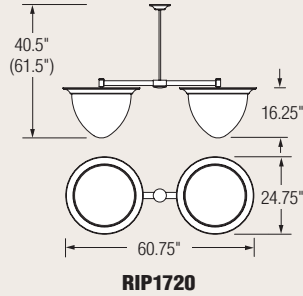
# 24"

## Specifications:

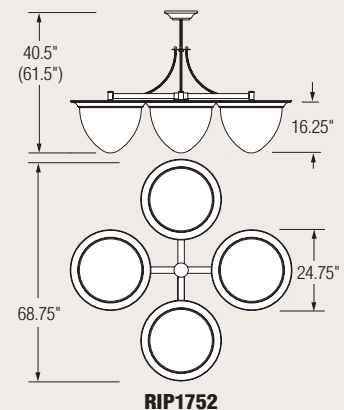
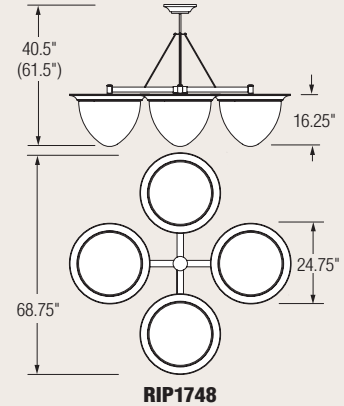
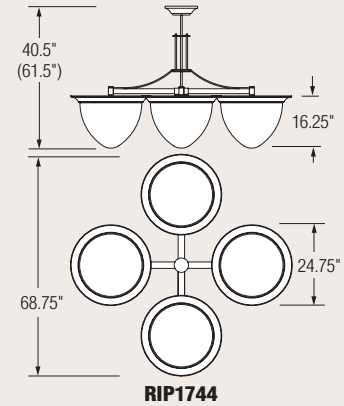
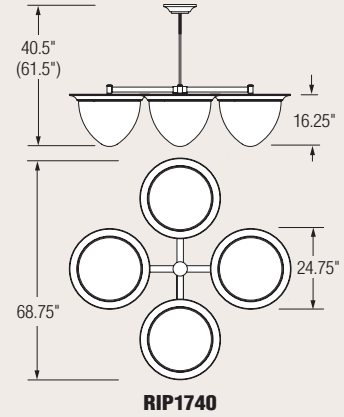
- Trim rings are spun from .063" thick base material (brass or aluminum) or 18 gauge steel (plated or painted).
- Chassis is formed from 18 gauge cold-rolled steel.
- 3/8 IP (.688" dia.) stem with a 1/2 IP (.875" dia.) sleeve.
- Formed acrylic bowl with a minimum wall thickness of .118". Opal finish is standard.
- Integral fluorescent ballasts are HPF electronic with low harmonic distortion.
- H.I.D. ballasts are magnetic HX-HPF for 150 watt and below. Magnetic CWA-HPF ballasts are used for over 150 watts. H.I.D. ballasts are remote mounted.
- Ballasts are thermally protected.
- Fluorescent ballasts have a Class "A" and H.I.D. a Class "B" sound rating.
- Inner steel support bracket attaches to 4" octagonal box.
- 45° swivel canopy is standard and meets all earthquake related codes.
- UL listed (US and Canada) for damp locations. (Not recommended for exterior use.)

Design modification rights reserved.

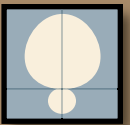
### Traditional Trim 2-Bowl



### Traditional Trim 4-Bowl

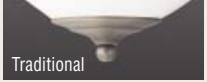


(61.5") Overall Height of fixture with metal halide lampping.



A, D, E  
Symmetrical  
Indirect

Sample model number: **STYLE** **LAMPING** **VOLTAGE** **FINISH** **OPTION**  
RIP1720 - 2F39/1F39 - 120 - BAL - HP02

Select Style	Select any Lamping (indirect/bowl illumination)	Lamping Detail (indirect - bowl illumination)	Optical Pkg. Photometry	Select Voltage	Select Finish	Select Options
<p>2-BOWL</p> <p>RIP1720</p> <p>RIP1724</p> <p>RIP1728</p> <p>RIP1732</p> <p>4-BOWL</p> <p>RIP1740</p> <p>RIP1744</p> <p>RIP1748</p> <p>RIP1752</p>	<p><b>1M100PSC/1F40</b></p> <p><b>1M150PSC/1F40</b></p> <p><b>1M250/1F40</b></p> <p><b>1M250PS/1F40</b></p> <p><b>1M350PS/1F40</b></p> <p><b>1M400/1F40</b></p> <p><b>1M400PS/1F40</b></p> <p><b>1N300</b></p> <p><b>2T250</b></p> <p><b>2F39/1F39<sup>1</sup></b></p> <p><b>2F39DM/1F39<sup>1</sup></b></p> <p><b>4F32/1F22</b></p> <p><b>4F42/1F22</b></p>	<p>100W ED17 PULSE START CERAMIC MH - 40W CIRC T5 A E402-17</p> <p>150W ED17 PULSE START CERAMIC MH - 40W CIRC T5 A E402-17</p> <p>250W BT28 MH - 40W CIRC T5 A E402-17</p> <p>250W ED28 PULSE START MH - 40W CIRC T5 A E402-17</p> <p>350W ED28 PULSE START MH - 40W CIRC T5 A E402-17</p> <p>400W BT28 MH - 40W CIRC T5 A E402-17</p> <p>400W ED28 PULSE START MH - 40W CIRC T5 A E402-17</p> <p>300W PS30 INC B NA</p> <p>(2) 250W T10 QTZ C E433-75R</p> <p>(2) FT39W/2G11 - FT39W/2G11 D E433-71</p> <p>(2) FT39W/2G11 - FT39W/2G11 D E433-71</p> <p>(4) CFTR32W/GX24q - 22W CIRC T5 E E402-20</p> <p>(4) CFTR42W/GX24q - 22W CIRC T5 E E402-20</p>	<p>120</p> <p>277</p>	<p><b>PT</b> Painted. (Include Paint Number.)</p> <p><b>PBR</b> Polished solid brass</p> <p><b>BBR</b> Brushed solid brass</p> <p><b>ABR</b> Antique solid brass</p> <p><b>CPBR</b> Chrome plated polished brass</p> <p><b>BAL</b> Brushed aluminum</p> <p><b>ABST</b> Antique brass over steel</p> <p><b>BBST</b> Brushed brass over steel</p> <p><b>CPST</b> Polished chrome over steel</p> <p><b>PBST</b> Polished brass over steel</p> <p><i>See Finish Selection Guide, pages 268-269.</i></p>	<p><b>OAH</b> Pendant length other than standard. (Provide fixture height in inches.)</p> <p><b>F</b> Fuse option (M and F)</p> <p><b>RPI</b> Remote ballast support tray</p> <p><b>EMI<sup>1</sup></b> Emergency ballast(s) integral</p> <p><b>EMR</b> Emergency ballast(s) remote</p> <p><b>SBA</b> Sandblasted acrylic</p> <p><b>SAV</b> Traditional ballast canopy</p> <p><b>SS</b> Separate switching</p> <p><b>HP01</b> Silver hand-painted acrylic</p> <p><b>HP02</b> Beige hand-painted acrylic</p> <p><b>HP03</b> Amber hand-painted acrylic</p> <p><b>FIN</b> Final option</p> <p></p> <p>Traditional</p>	

**DM** = Dimming ballast(s) provided

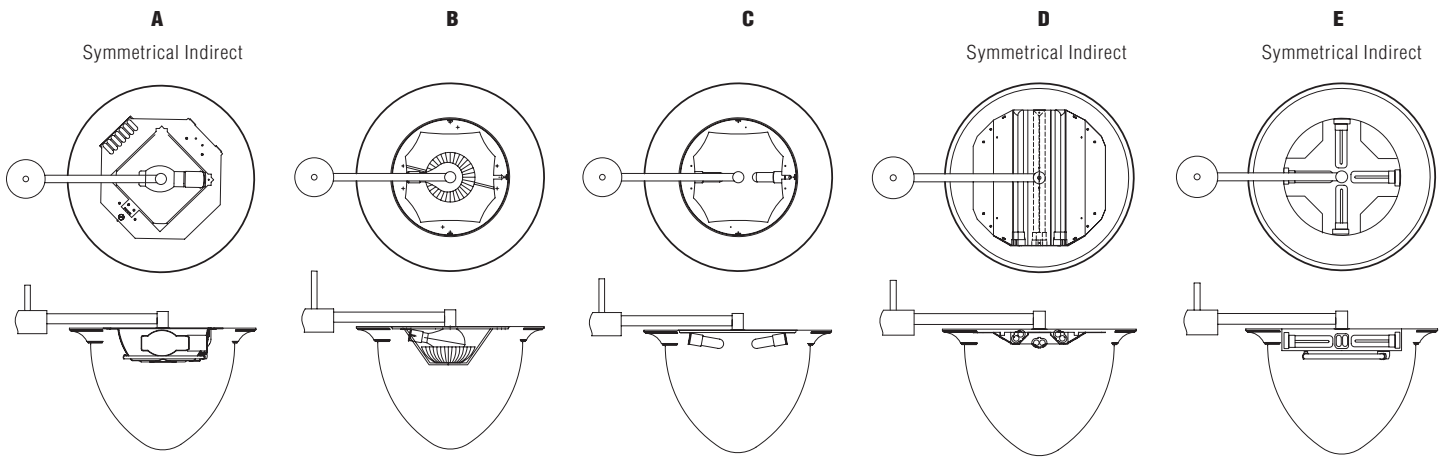
<sup>1</sup>Denotes lamping options available with EMI

The lamping is per bowl of the Chandelier.

*If Photometry is not available, consult factory for further details.*

**For further detail on options, see Technical Notes on page 264.**

**OPTICAL PACKAGES**



# Acorn Chandeliers-32"

RENAISSANCE

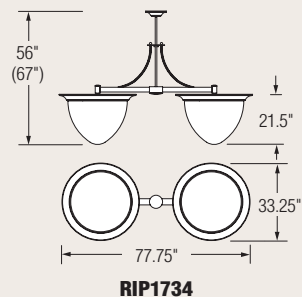
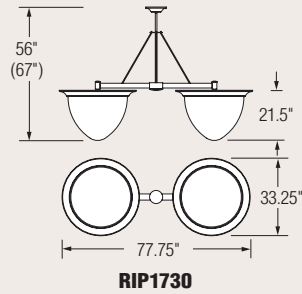
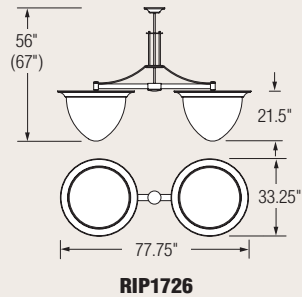
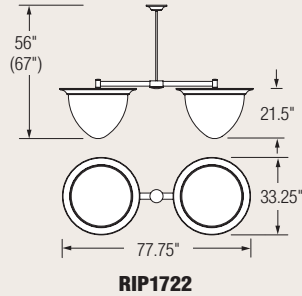
# 32"

## Specifications:

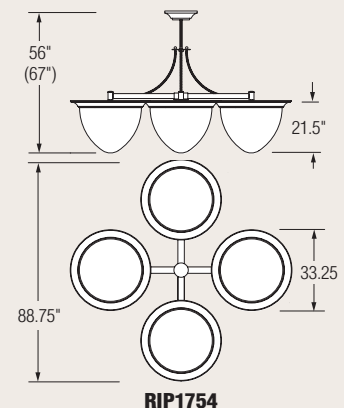
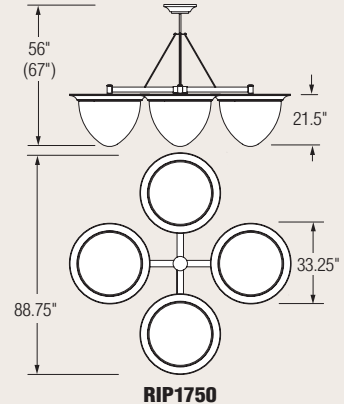
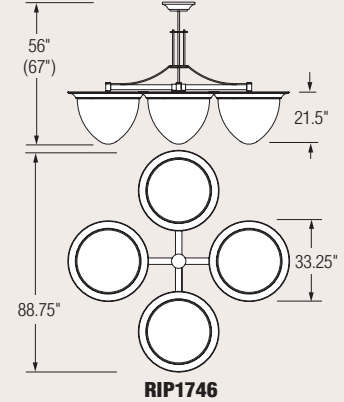
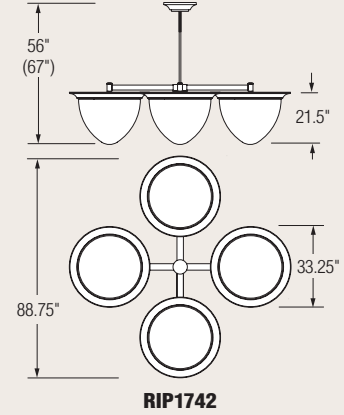
- Trim rings are spun from .063" thick base material (brass or aluminum) or 18 gauge steel (plated or painted).
- Chassis is formed from 18 gauge cold-rolled steel.
- 3/8 IP (.688" dia.) stem with a 1/2 IP (.875" dia.) sleeve.
- Formed acrylic bowl with a minimum wall thickness of .118". Opal finish is standard.
- Integral fluorescent ballasts are HPF electronic with low harmonic distortion.
- H.I.D. ballasts are magnetic HX-HPF for 150 watt and below. Magnetic CWA-HPF ballasts are used for over 150 watts. H.I.D. ballasts are remote mounted.
- Ballasts are thermally protected.
- Fluorescent ballasts have a Class "A" and H.I.D. a Class "B" sound rating.
- Inner steel support bracket attaches to 4" octagonal box.
- 45° swivel canopy is standard and meets all earthquake related codes.
- UL listed (US and Canada) for damp locations. (Not recommended for exterior use.)

Design modification rights reserved.

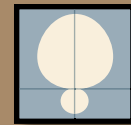
### Traditional Trim 2-Bowl



### Traditional Trim 4-Bowl



(67") Overall Height of fixture with metal halide lamping.



**A, C, D**  
Symmetrical Indirect



**E**  
Symmetrical Direct

Sample model number: **RIP1722 - 4F40/2F40 - 120 - BAL - HP02**

**Select Style**

**Select any Lamping**  
(indirect/bowl illumination)

**Select Voltage**

**Select Finish**

**Select Options**

2-BOWL

4-BOWL

- RIP1722
- RIP1726
- RIP1730
- RIP1734
- RIP1742
- RIP1746
- RIP1750
- RIP1754

Style	Lamping	Voltage	Finish	Option
<b>1M100PSC/1F40</b>	100W ED17 PULSE START CERAMIC MH - 40W CIRC T5	A	E402-17	
<b>1M150PSC/1F40</b>	150W ED17 PULSE START CERAMIC MH - 40W CIRC T5	A	E402-17	
<b>1M250/1F40</b>	250W BT28 MH - 40W CIRC T5	A	E402-17	
<b>1M250PS/1F40</b>	250W ED28 PULSE START MH - 40W CIRC T5	A	E402-17	
<b>1M350PS/1F40</b>	350W ED28 PULSE START MH - 40W CIRC T5	A	E402-17	
<b>1M400/1F40</b>	400W BT28 MH - 40W CIRC T5	A	E402-17	
<b>1M400PS/1F40</b>	400W BT28 PULSE START MH - 40W CIRC T5	A	E402-17	
<b>3N150</b>	(3) 150W A21 INC	B	NA	
<b>3T250</b>	(3) 250W T10 QTZ	B	NA	
<b>4F40/2F40<sup>1</sup></b>	(4) FT40W/2G11 - (2) FT40W/2G11	C	E433-72	
<b>4F40DM/2F40<sup>1</sup></b>	(4) FT40W/2G11 - (2) FT40W/2G11	C	E433-72	
<b>6F40/1F40<sup>1</sup></b>	(6) FT40W/2G11 - 40W CIRC T5	D	E433-87	
<b>6F40DM1F40<sup>1</sup></b>	(6) FT40W/2G11 - 40W CIRC T5	D	E433-87	
<b>6F55/1F40<sup>1</sup></b>	(6) FT55W/2G11 - 40W CIRC T5	D	E433-87	
<b>2F40/4F40</b>	(2) FT40W/2G11 - (4) FT40W/2G11	E	ITL3691A	

**DM** = Dimming ballast(s) provided

*If Photometry is not available, consult factory for further details.*

<sup>1</sup>Denotes lamping options available with **EMI**

The lamping is per bowl of the Chandelier.

- 120
- 277

- PT** Painted. (Include Paint Number.)
  - PBR** Polished solid brass
  - BBR** Brushed solid brass
  - ABR** Antique solid brass
  - CPBR** Chrome plated polished brass
  - BAL** Brushed aluminum
  - ABST** Antique brass over steel
  - BBST** Brushed brass over steel
  - CPST** Polished chrome over steel
  - PBST** Polished brass over steel
- See Finish Selection Guide, pages 268-269.*

- OAH** Pendant length other than standard. (Provide fixture height in inches.)
- F** Fuse option (M and F)
- RPI** Remote ballast support tray
- EMI<sup>1</sup>** Emergency ballast(s) integral
- EMR** Emergency ballast(s) remote
- SBA** Sandblasted acrylic
- SAV** Traditional ballast canopy
- SS** Separate switching
- HP01** Silver hand-painted acrylic
- HP02** Beige hand-painted acrylic
- HP03** Amber hand-painted acrylic
- FIN** Finial option



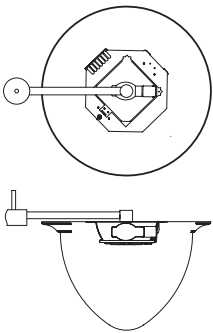
Traditional

*For further detail on options, see Technical Notes on page 264.*

**OPTICAL PACKAGES**

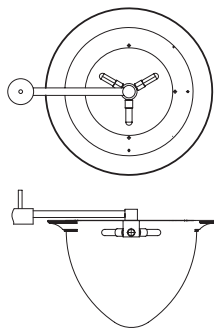
**A**

Symmetrical Indirect



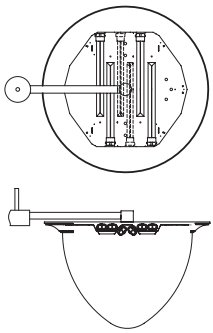
**B**

Symmetrical Indirect



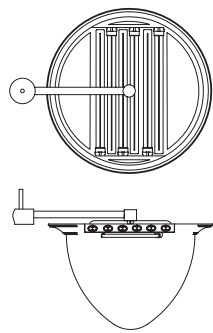
**C**

Symmetrical Indirect



**D**

Symmetrical Direct



**E**