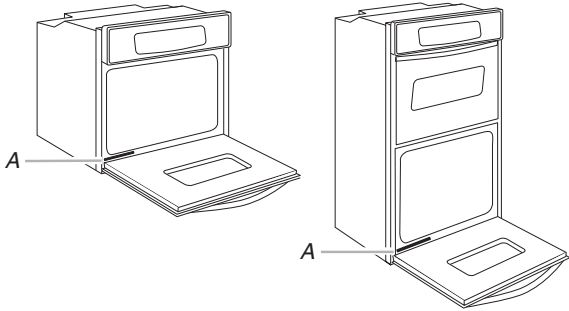


PRODUCT MODEL SERIES

JJW9327DD
JJW9427DD

Electrical: Oven must be connected to the proper electrical voltage and frequency as specified on the model/serial number rating plate. The model/serial number rating plate is located at the bottom of the left-hand mounting rail. See the following illustration.



Single Oven

A. Model/serial number plate

Double Oven

A. Model/serial number plate

KW Rating on Serial/rating Plate	Recommended Minimum Circuit Protection in Amps	Wire Size (AWG)
0.0 - 4.8	20	12
7.0 - 9.9	40	8

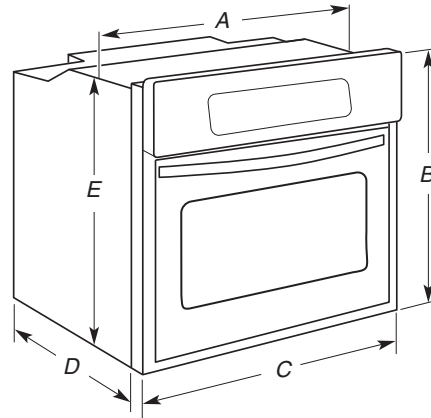
A circuit breaker is recommended.

Connect directly to the circuit breaker box (or fused disconnect) through flexible, armored or nonmetallic sheathed, copper cable (with grounding wire).

Flexible conduit from the oven should be connected directly to the junction box.

PRODUCT DIMENSIONS

27" (68.6 cm) and 30" (76.2 cm) Single Ovens



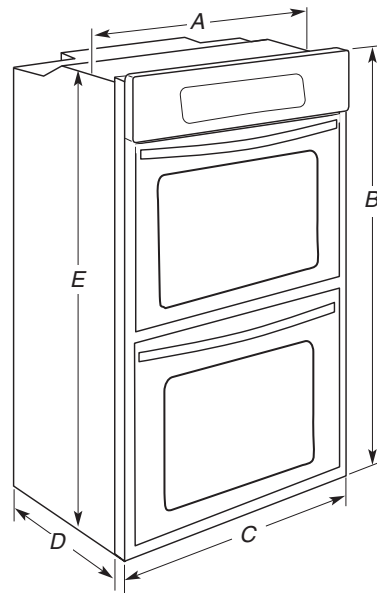
27" (68.6 cm) models

- A. 25³/₈" (64.5 cm) max. recessed width
- B. 28¹/₄" (71.8 cm) max. overall height
- C. 26³/₄" (67.9 cm) overall width
- D. 23¹/₂" (59.7 cm) max. recessed depth
- E. 27¹/₂" (69.9 cm) recessed height

30" (76.2 cm) models

- A. 28¹/₄" (71.8 cm) max. recessed width
- B. 28¹/₄" (71.8 cm) max. overall height
- C. 29³/₄" (75.6 cm) overall width
- D. 23¹/₂" (59.7 cm) max. recessed depth
- E. 27¹/₂" (69.9 cm) recessed height

27" (68.6 cm) and 30" (76.2 cm) Double Ovens



27" (68.6 cm) models

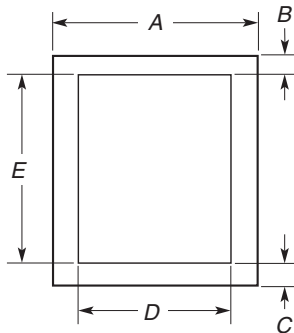
- A. 25³/₈" (64.5 cm) max. recessed width
- B. 50¹/₄" (127.6 cm) max. overall height
- C. 26³/₄" (67.9 cm) overall width
- D. 23¹/₂" (59.7 cm) max. recessed depth
- E. 49⁵/₈" (126.1 cm) recessed height

30" (76.2 cm) models

- A. 28³/₈" (72.1 cm) max. recessed width
- B. 50¹/₄" (127.6 cm) max. overall height
- C. 29³/₄" (75.6 cm) overall width
- D. 23¹/₂" (59.7 cm) max. recessed depth
- E. 49⁵/₈" (126.1 cm) recessed height

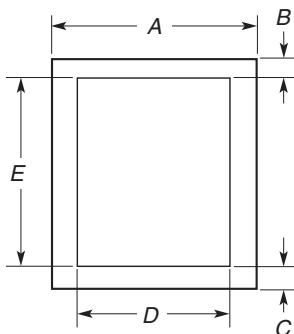
CABINET OPENING DIMENSIONS

27" (68.6 cm) and 30" (76.2 cm) Single Oven Undercounter (without cooktop installed above)



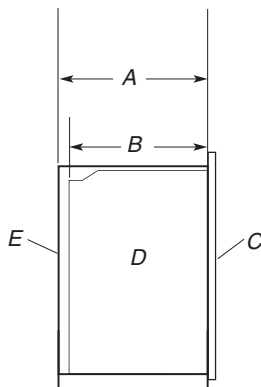
- A. 27" (68.6 cm) min. cabinet width on 27" (68.6 cm) models
30" (76.2 cm) min. cabinet width on 30" (76.2 cm) models
- B. 1½" (3.8 cm) min. top of cutout to underside of countertop
- C. 5½" (13.0 cm) bottom of cutout to floor
- D. 28½" (72.4 cm) cutout width on 30" (76.2 cm) models
- E. 27⅞" (70.8 cm) min. cutout height

30" (76.2 cm) Single Oven Undercounter (with cooktop installed above)



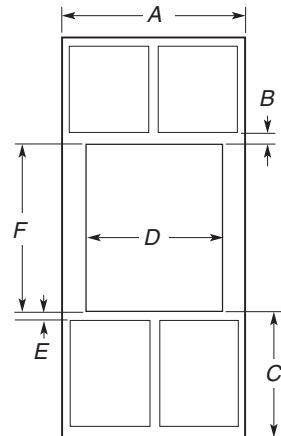
- A. 30" (76.2 cm) min. cabinet width
- B. Electric cooktop 1⅝" (4.1 cm); Gas cooktop 3⅝" (8.6 cm) min. top of cutout to underside of countertop
- C. Electric cooktop 5" (12.7 cm); Gas cooktop 3¼" (8.3 cm) bottom of cutout to floor
- D. 28½" (72.4 cm) cutout width
- E. 27⅞" (70.8 cm) min. cutout height

Cabinet Side View - Double or Single Oven



- A. 24" (61.0 cm) min. cutout depth
- B. 23½" (59.7 cm) recessed oven depth
- C. Oven front
- D. Recessed oven
- E. Cabinet

Single Oven Installed in Cabinet



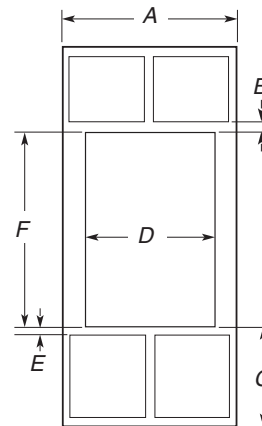
27" (68.6 cm) models

- A. 27" (68.6 cm) min. cabinet width
- B. 1" (2.5 cm) top of cutout to bottom of upper cabinet door
- C. 4" to 33" (10.2 to 83.8 cm) bottom of cutout to floor
- D. 25½" (64.8 cm) cutout width
- E. 1½" (3.8 cm) min. bottom of cutout to top of cabinet door
- F. 27⅞" (70.8 cm) min. cutout height

30" (76.2 cm) models

- A. 30" (76.2 cm) min. cabinet width
- B. 1" (2.5 cm) top of cutout to bottom of upper cabinet door
- C. 4" to 33" (10.2 to 83.8 cm) bottom of cutout to floor
- D. 28½" (72.4 cm) cutout width
- E. 1½" (3.8 cm) min. bottom of cutout to top of cabinet door
- F. 27⅞" (70.8 cm) min. cutout height

Double Oven Installed in Cabinet



27" (68.6 cm) models

- A. 27" (68.6 cm) min. cabinet width
- B. 1" (2.5 cm) top of cutout to bottom of upper cabinet door
- C. 4" to 12" (10.2 to 30.5 cm) bottom of cutout to floor
- D. 25½" (64.8 cm) cutout width
- E. 1½" (3.8 cm) min. bottom of cutout to top of cabinet door
- F. 50.0" (127.0 cm) min. cutout height

30" (76.2 cm) models

- A. 30" (76.2 cm) min. cabinet width
- B. 1" (2.5 cm) top of cutout to bottom of upper cabinet door
- C. 4" to 12" (10.2 to 30.5 cm) bottom of cutout to floor
- D. 28½" (72.4 cm) cutout width
- E. 1½" (3.8 cm) min. bottom of cutout to top of cabinet door
- F. 50.0" (127.0 cm) min. cutout height