

JENN-AIR® Radiant Cooktop

PRODUCT MODEL NUMBERS

JEC8430BD JEC8536BD

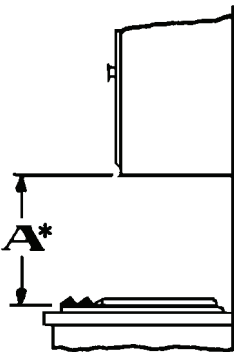
Electrical: A three-wire, single phase, A.C. 120/240-volt 60-cycle electrical system (properly circuit protected to meet Local Codes of NFPA No. 70) must be provided. Unit must be properly grounded in accordance with local wiring code. The chart below recommends the minimum circuit protector and wire size if the appliance is the only unit on the circuit. If smaller sizes of wire are used, the unit efficiency will be reduced and a fire hazard may be created. It is advisable that the electrical wiring and hookup be accomplished by a competent electrician.

RECOMMENDED MINIMUM		
K.W. RATING ON SERIAL PLATE	CIRCUIT PROTECTION IN AMPRES	WIRE SIZE (AWG)
0 - 4.8	20	12
4.9 - 6.9	30	10
7.0 - 9.9	40	8
10.0 - 11.9	50	8
12.0 - 14.9	60	6

CABINET OPENING DIMENSIONS

A = 30" (76.2 cm) minimum clearance between the top of the cooktop and the bottom of an unprotected wood or metal cabinet.

A = 24" (61 cm) minimum when bottom of wood or metal cabinet is protected by not less than 1/4" (0.6 cm) FLAME RETARDANT millboard covered with not less than no. 28 MSG sheet steel, 0.015" (0.4 mm) stainless steel, 0.024" (0.6 mm) aluminum or copper.

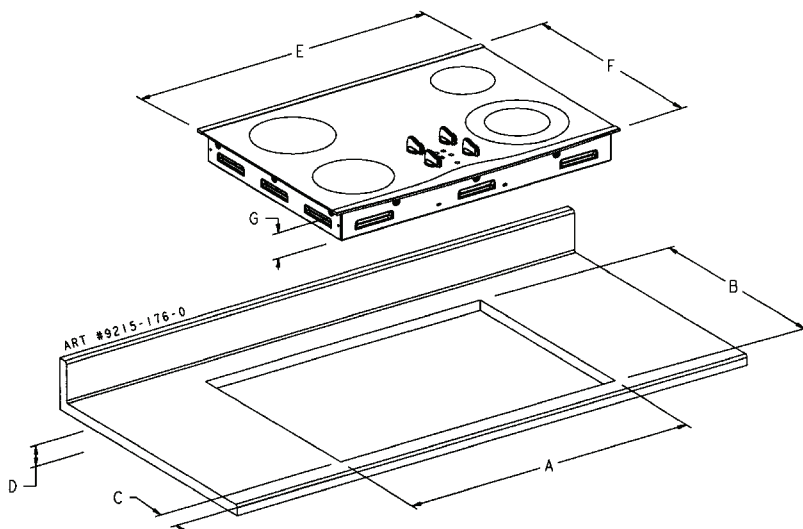


* To eliminate the risk of burns or fire by reaching over heated surface units, cabinet storage space located above the surface units should be avoided. If cabinet storage is to be provided, the risk can be reduced by installing a range hood that projects horizontally a minimum of 5" (12.7 cm) beyond the bottom of the cabinets.

Important Installation Suggestions

1. Chamfer all exposed edges of decorative laminate to prevent damage from chipping.
2. Radius corners of cutout and file to insure smooth edges and prevent corner cracking.
3. Rough edges, inside corners which have not been rounded and forced fits can contribute to cracking of the countertop laminate.
4. Countertop must be supported within 3" (7.6 cm) of cutout.

PRODUCT DIMENSIONS

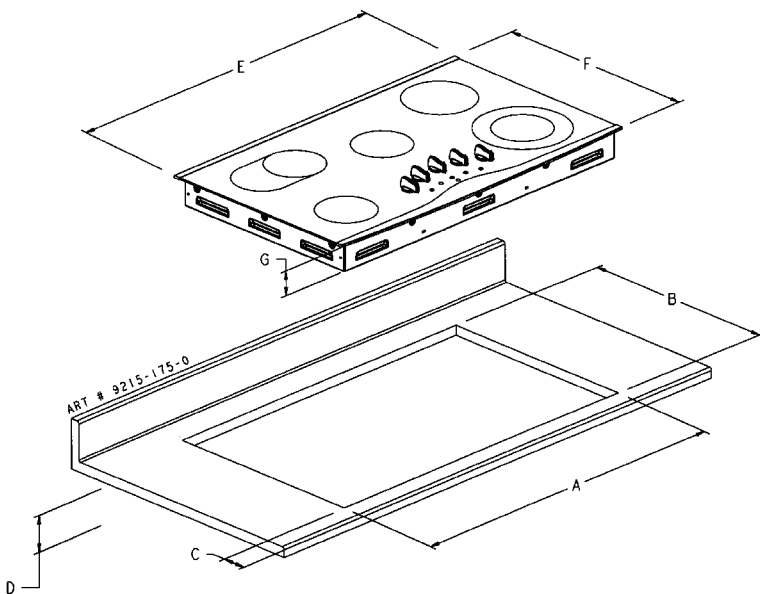


FOUR-ELEMENT RADIANT COOKTOPS

- A 29-1/16" ± 1/16" (74.0 cm ± 0.2 cm)
- B 20-3/8" ± 1/16" (51.9 cm ± 0.2 cm)
- C 2-1/8" min. (5.4 cm)
- D 4-1/8" min. clear (10.5 cm)
- E 29-15/16" (76.0 cm)
- F 21-1/2" (54.6 cm)
- G 3-3/4" (9.5 cm)

CAUTION: Cutout dimensions are critical. Dimensions must be measured and cut accurately to within + 1/16 (.16 cm) to insure proper fit.

NOTE: "D" is clearance needed for unit depth measure down from top of countertop. Typical for all units.



FIVE-ELEMENT RADIANT COOKTOPS

- A 34-9/16" ± 1/16" (87.9 cm ± 0.2 cm)
- B 20-3/8" ± 1/16" (51.9 cm ± 0.2 cm)
- C 2-1/8" min. (5.4 cm)
- D 4-1/8" min. clear (10.5 cm)
- E 35-5/16" (89.7 cm)
- F 21-1/2" (54.6 cm)
- G 3-3/4" (9.5 cm)

CAUTION: Cutout dimensions are critical. Dimensions must be measured and cut accurately to within + 1/16 (.16 cm) to insure proper fit.