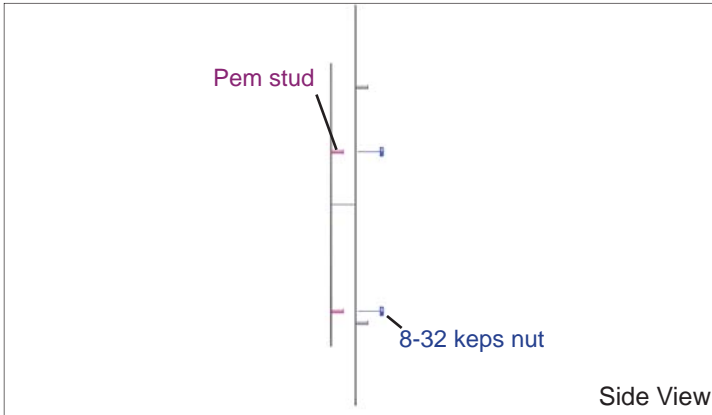
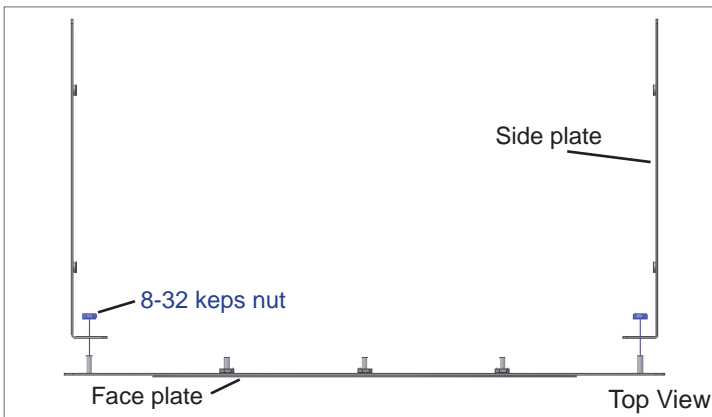


### Assembly

**Step 1:** Assemble faceplate by securing the accent plate to the background plate using 8-32 keps nuts.

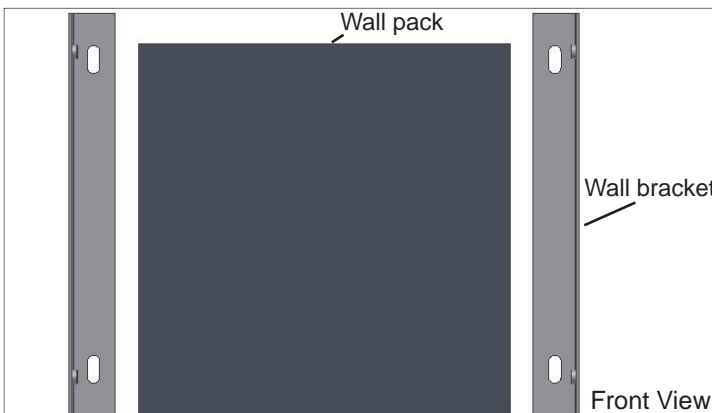


**Step 3:** Attach side plates to face plate using 8-32 keps nuts.

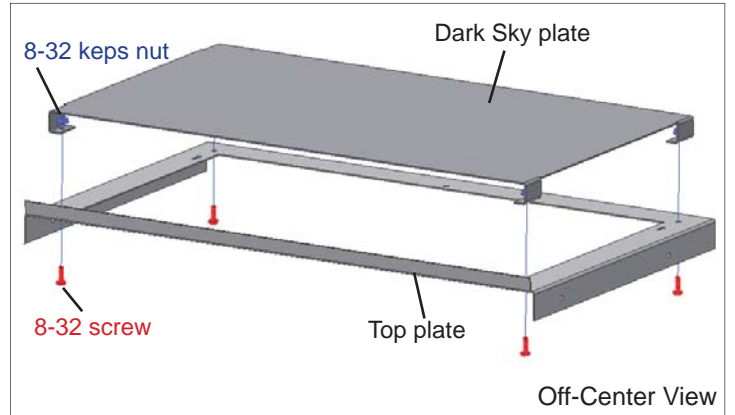


### Installation

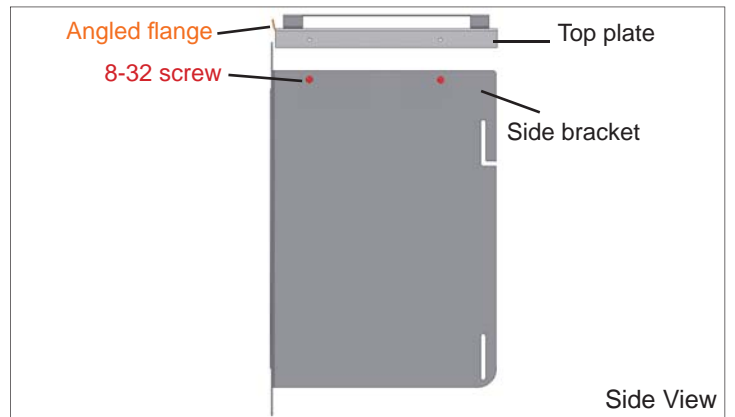
**Step 5:** Mount left and right wall brackets to wall using the supplied mounting template, use mounting hardware (not included) with a minimum pull-out force of 200 pounds.



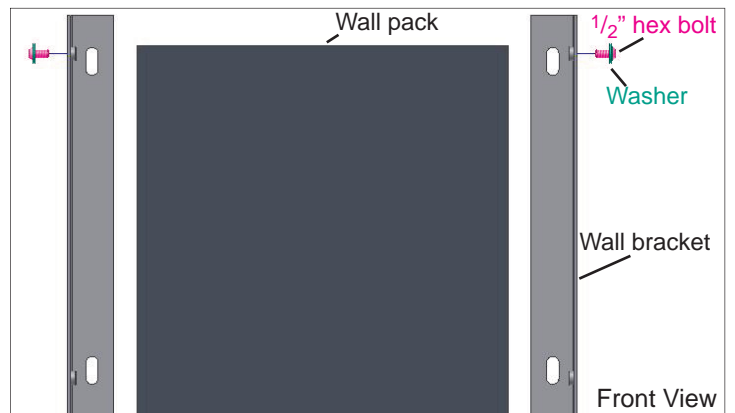
**Step 2:** If using a Dark Sky Kit (sold separately), the Dark Sky plate using four 8-32 screws. Then secure the Dark Sky plate assembly to the top plate using 8-32 keps nuts.



**Step 4:** Secure the top plate to side brackets using 8-32 screws. The angled flange of the top plate should be in contact with the faceplate.

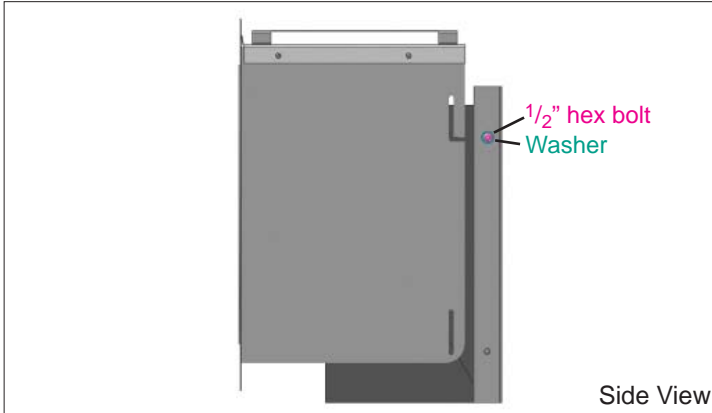


**Step 6:** Insert two 1/2" hex bolts and washers into the top holes of the wall bracket, leaving at least 1/4" loose.

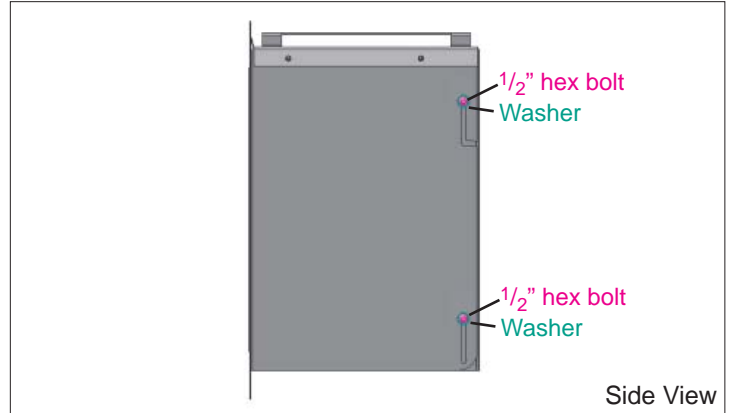


### Installation

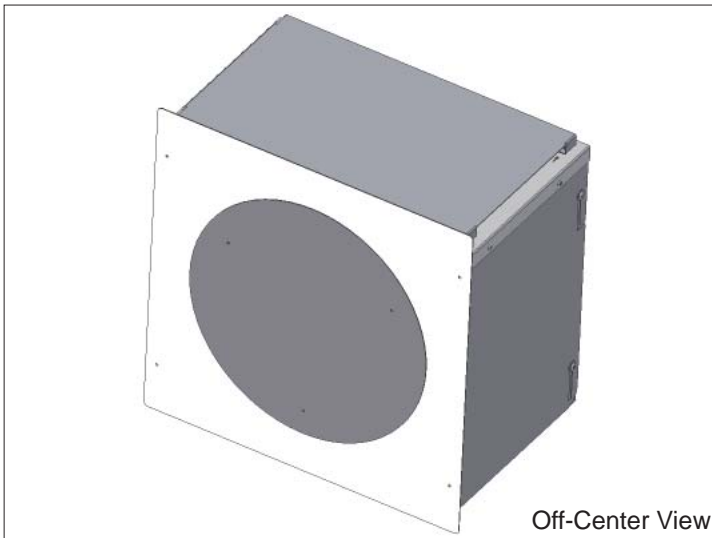
**Step 7:** Slide Light Wrap™ onto top bolts of the wall brackets between the side bracket and washer, and let fall into place.



**Step 8:** Install and tighten two 1/2" hex bolts and washers into the bottom holes of the wall brackets and tighten. Tighten the top bolts.

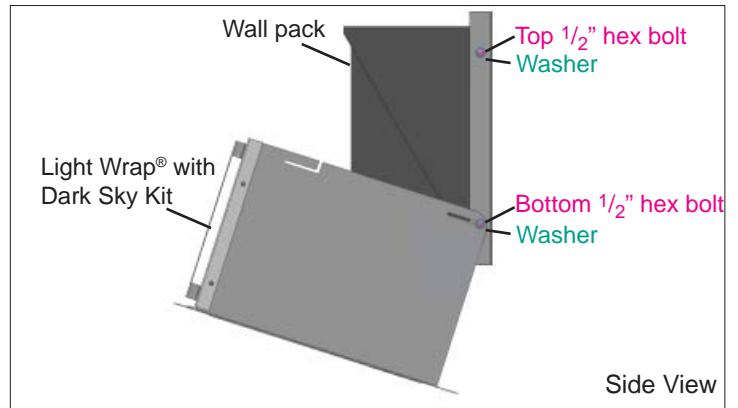


### Finished Product



### Servicing

Loosen top two bolts about 1/4". Lift Light Wrap™ up and rotate fixture forward. Fixture may need to rest on wall surface.  
*Note:* Bottom two bolts may need to be loosened for the Light Wrap™ to rotate.



### Included Hardware Information

Light Wrap:

Qty.	Description	Picture
4	1/4-20 1/2" button head bolt/hex key 5/32" 18-8 stainless steel/socket	
4	5/8" diameter plain stainless steel washer	
12	8-32 stainless steel keps nut	
4	8-32 x 1/2" round head machine screws	

Dark Sky Kit (sold separately):

Qty.	Description	Picture
4	8-32 stainless steel keps nut	
4	8-32 x 1/2" round head machine screws	