

# lzf

POWERED BY  
**GlobalLighting**  
[www.globallighting.com](http://www.globallighting.com)



**Orbit/Nut**  
Miguel Herranz/Lzf Lamps

**NUT** Lzf Lamps

PENDANT

INFO

Lamping

Ship  
Wgt + Dims

Size

NUT S CHW



**Shade**  
Natural wood  
CHW colors:



**Canopy**  
brushed nickel

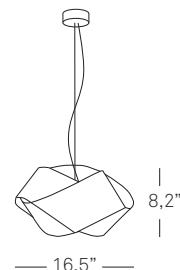
**Cord length**  
6' clear and  
aircraft cable

**Family**  
pendant and wall



1 x G25  
60 W max  
incandescent  
white globe  
  
medium base\*

6 lb  
20x20x12"



**ORBIT** Miguel Herranz

WALL

INFO

Lamping

Ship  
Wgt + Dims

Size

ORB A CHW



**Shade**  
Natural wood  
CHW colors:



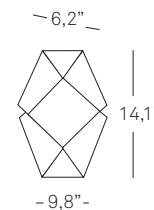
**Back plate**  
brushed nickel mounting  
plate not shown

**Family**  
pendant and wall



1 x 13 W  
CFL spiral  
  
GU-24 base\*

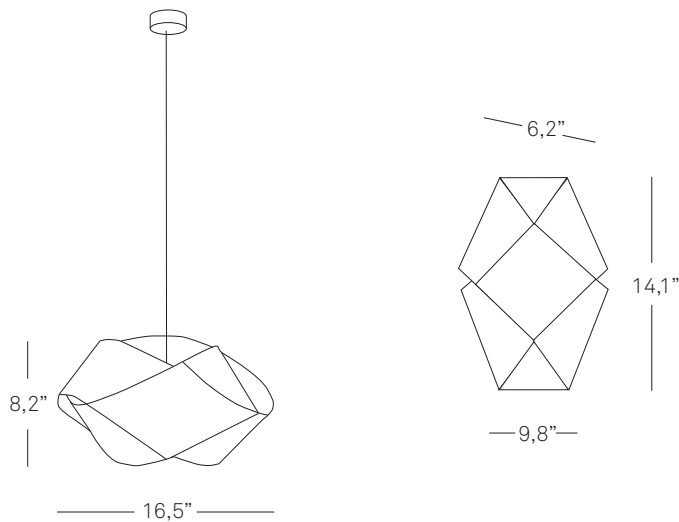
9 lb  
11x17x12"



(\*) alternate lamping chart  
located on rear inside cover

**NUT/ORBIT** Lzf Lamps/Miguel Herranz

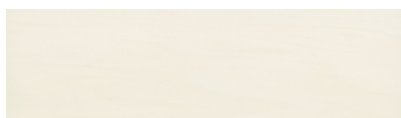
FAMILY



SHADE FINISHES

REF. CHW

Natural timber veneer



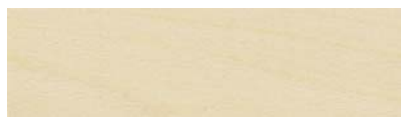
**CHW-20**  
American white wood

**CHW-25**  
Orange



**CHW-21**  
Cherry

**CHW-26**  
Red



**CHW-22**  
Beech

**CHW-27**  
Green



**CHW-24**  
Yellow

**CHW-29**  
Grey





Miguel Herranz/Lzf Lamps

**ORBIT is a hand made wall lamp. NUT is a suspension lamp that belongs to the ORBIT family. ORBIT is a hand made family whose wood veneer screen is interlaced creating an elegant intertwined silhouette. On the one hand the simplicity of its design confers an airy appearance and on the other hand, the veneer confers a pleasantly warm aspect to the design.**



Orbit Wall  
Miguel Herranz



Nut Suspension  
Lzf Lamps