

# lzf

POWERED BY  
**GlobalLighting**  
[www.globallighting.com](http://www.globallighting.com)



**I-Club**  
Burkhard Dämmer



**I-CLUB**

Burkhard Dämmer

**A lighting family for direct and indirect lighting in private and contract spaces. The CLUB lights serve for both, a warm surrounding created by the illuminated veneer and a good work light for tables and the work place.**

**Its elegant and compact design is equipped with T-5 technology to ensure a minimum of energy consumption. In this way the CLUB family achieves a duality between the warmth of ambient lighting and the illuminating power of fluorescent lights.**

**The CLUB family is made up of suspension, table, floor and wall models.**



**I-Club Suspension**  
Burkhard Dämmer





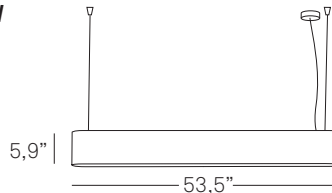
I-Club Floor  
Burkhard Dämmer




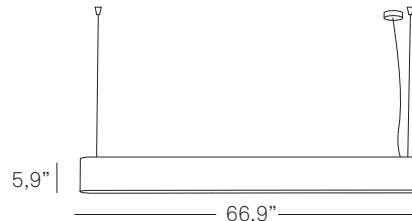


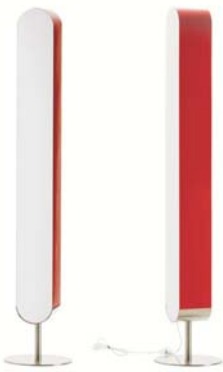

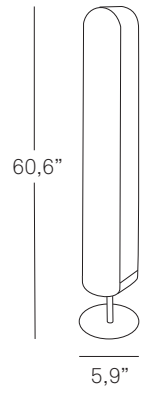


**I-Club Table**  
Burkhard Dämmer

**I-CLUB** Burkhard Dämmer




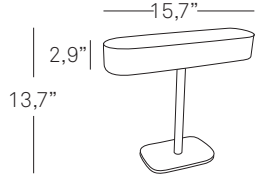
SUSPENSION	INFO	Lamping	Ship Wgt + Dims	Model Specify colour	Size
	<p>Natural wood</p> <p>Canopy: brushed nickel</p> <p>Cord lenght: 6" clear</p> <p>Opal perspex diffuser</p> <p>Consult for price on dimable version</p>	 <p>1 x F 54 W T5 linear fluorescent</p> <p>120v - 277v multivolt ballast</p>	11 lb 12x12x59"	<b>I S CHW</b>	




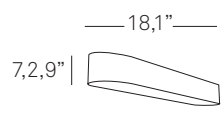
	<p>Family susp, floor, table and wall</p>  <p>*Consult availability</p>	 <p>2 x F 35 W T5 linear fluorescent</p> <p>120v - 277v multivolt ballast</p>	18 lb 12x13x70"	<b>I SG CHW*</b>	
---	---	--	--------------------	------------------	--

FLOOR	INFO	Lamping	Ship Wgt + Dims	Model Specify colour	Size
	<p>Natural wood</p> <p>Base &amp; stem: brushed aluminium</p> <p>Cord lenght: 6" clear</p> <p>Satinice perspex diffuser</p> <p>Consult for price on dimable version</p> <p>Family susp, floor, table and wall</p>	 <p>1 x F 54 W T5</p> <p>120v - 277v multivolt ballast</p>	18 lb 12x13x70"	<b>I P CHW</b>	



**I-CLUB Burkhard Dämmer**

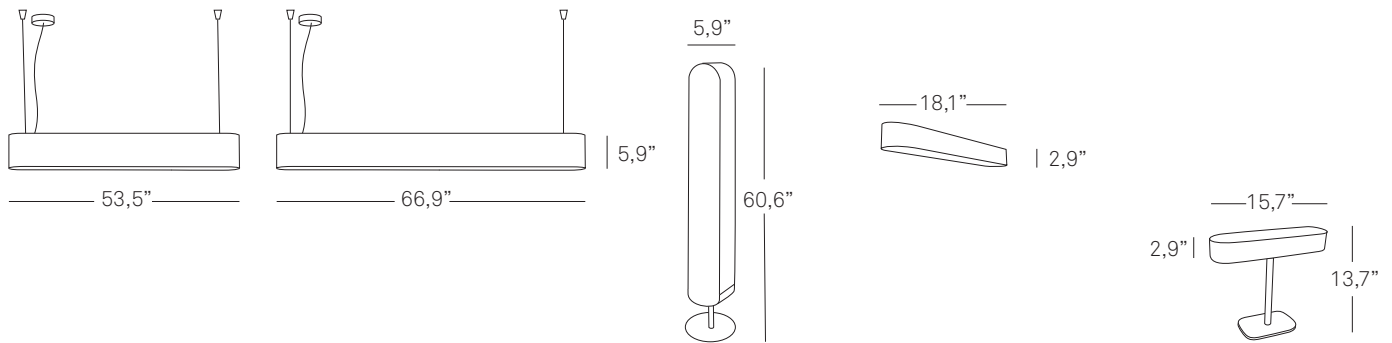
TABLE	INFO	Lamping	Ship Wgt + Dims	Model Specify colour	Size
	<p>Natural wood</p> <p>Base &amp; stem: brushed nickel</p> <p>Cord lenght: 6" clear</p> <p>Opal perspex diffuser</p> <p>Family pendant, floor, table and wall</p> 	 <p>3 x 9 W hockey puck fluorescent</p> <p>GX-53 base</p>	5 lb 20x20x12"	<b>I M CHW</b>	

WALL	INFO	Lamping	Ship Wgt + Dims	Model Specify colour	Size
	<p>Natural wood</p> <p>Hidden back plate: white finished metal</p> <p>Satinice perspex diffuser</p> <p>Family susp, floor, table and wall</p> 	 <p>2 x F 8 W T5 linear fluorescent</p>	5 lb 19x19x7"	<b>I A CHW</b>	



**I-CLUB** Burkhard Dämmer

FAMILY



SHADE FINISHES

REF. CHW

Natural timber veneer



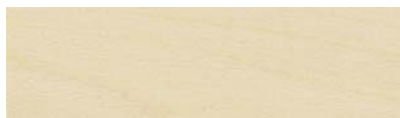
**CHW-20**  
American white wood

**CHW-25**  
Orange



**CHW-21**  
Cherry

**CHW-26**  
Red



**CHW-22**  
Beech

**CHW-27**  
Green



**CHW-24**  
Yellow

**CHW-29**  
Grey

