

lzf

POWERED BY
GlobalLighting

www.globallighting.com



Margarita
Miguel Herranz

MARGARITA Miguel Herranz

SUSPENSION	INFO	Lamping	Ship Wgt + Dims	Model Specify colour	Size
------------	------	---------	-----------------	----------------------	------



Natural wood

MAR80 S
CHW-ROD
Canopy with stem:
chrome

MAR80 S
CHW-CBL
Canopy:
chrome

Cord length:
6' steel

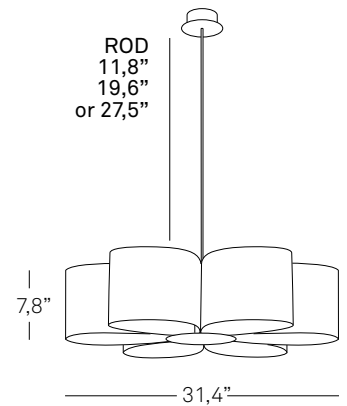
Multicolor version
also available



6 x G25
60 W max
incandescent
white globe
medium base*

16 lb
20x20x24"

MAR80 S CHW-ROD



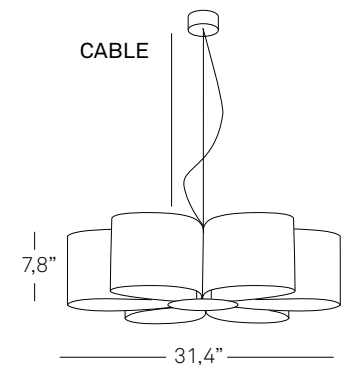
Chromed metal rod



6 x G25
60 W max
incandescent
white globe
medium base*

14 lb
20x20x12"

MAR80 S CHW-CBL



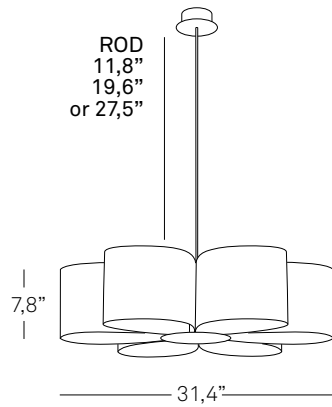
Steel cable



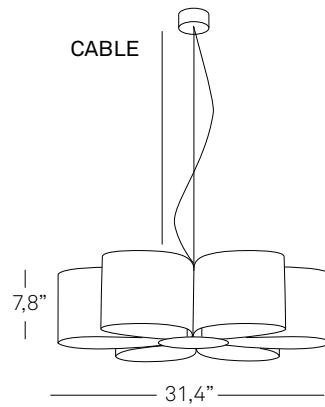
*Alternate lamping: 6 x 13 W CFL 120 V or 277 V

MARGARITA Miguel Herranz

FAMILY



Chromed metal rod

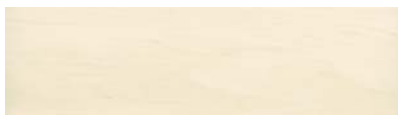


Steel cable

SHADE FINISHES

REF. CHW

Natural timber veneer



CHW-20
American white wood

CHW-25
Orange



CHW-21
Cherry

CHW-26
Red



CHW-22
Beech

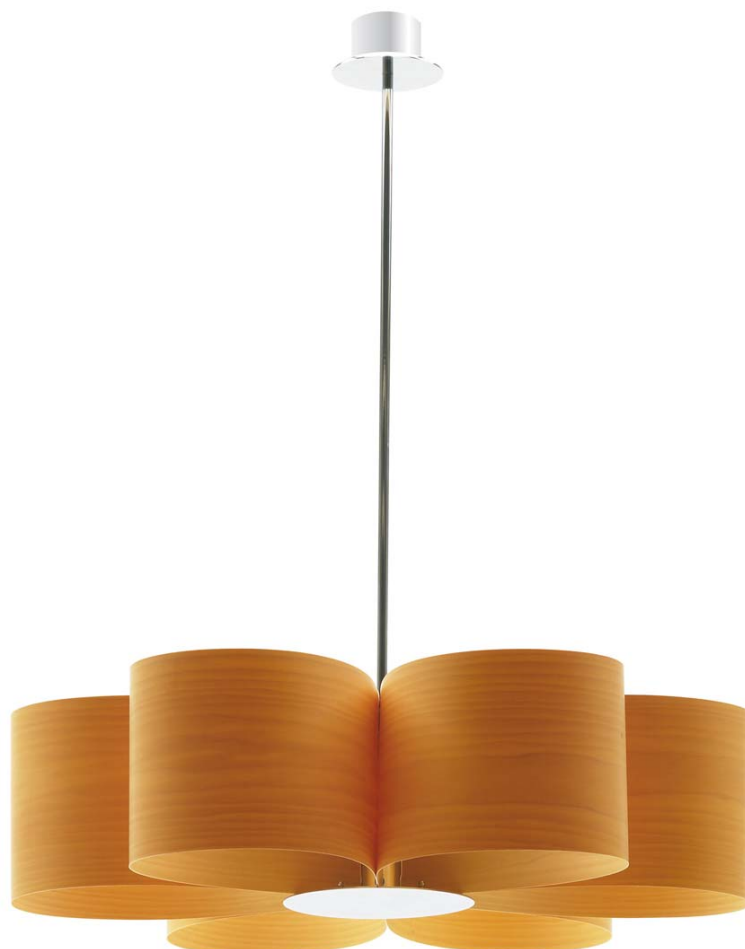
CHW-27
Green



CHW-24
Yellow

CHW-29
Grey





MARGARITA

Miguel Herranz

Suspension lamp with a daisy form of six petals made out natural wood veneer in different colours that offers a youthful free design.



Margarita
Miguel Herranz