

Sillaba

FontanaArte

COMPANY:

PROJECT:

DATE:

PRODUCT NAME: Sillaba

CODE NUMBER: 2775/7/12G

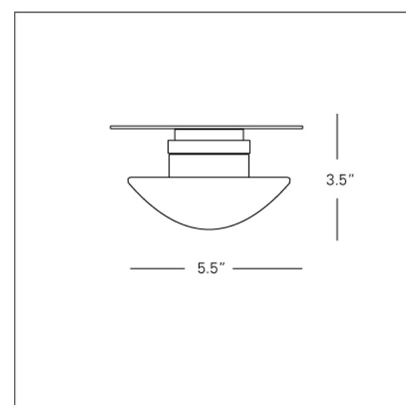
COLLECTION: FontanaArte

TYPE: Ceiling

DESIGNER: Piero Castiglioni

PRODUCTION YEAR: 1988

Lamp for attachment to wall or ceiling. Mounting in high thermal-resistance technopolymer. Shade in heat-resistant sandblasted glass.



Light source: 1X60W 12V T4 G9 (HA)



FontanaArte spa reserves the right to make changes on this document and on the products here described without any prior notice.

Copyright © 2008 FontanaArte spa. All rights reserved.

It is forbidden to modify the present document, even partially, without a prior written authorisation by FontanaArte spa.