

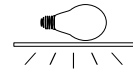
T-2535



Telescopic pendant providing direct and indirect light. \*Opal satin glass diffusers at the bottom.

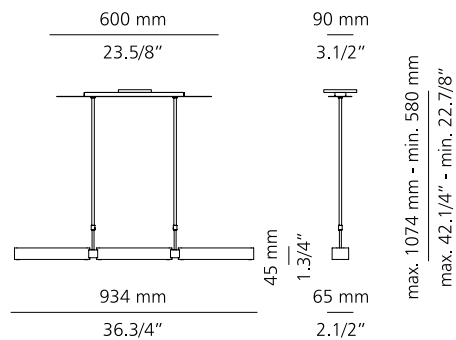
Lámpara telescópica con luz directa e indirecta. \*Cristal opal difusor en la parte inferior.

37 NI \*



T-2535

Up to 3 x 150W T3 118mm R7s base 120V



see finishes  
in page 236

