

GSM2200N

GE Spacemaker® Under-the-Sink Dishwasher

Dimensions and Installation Information (in inches)

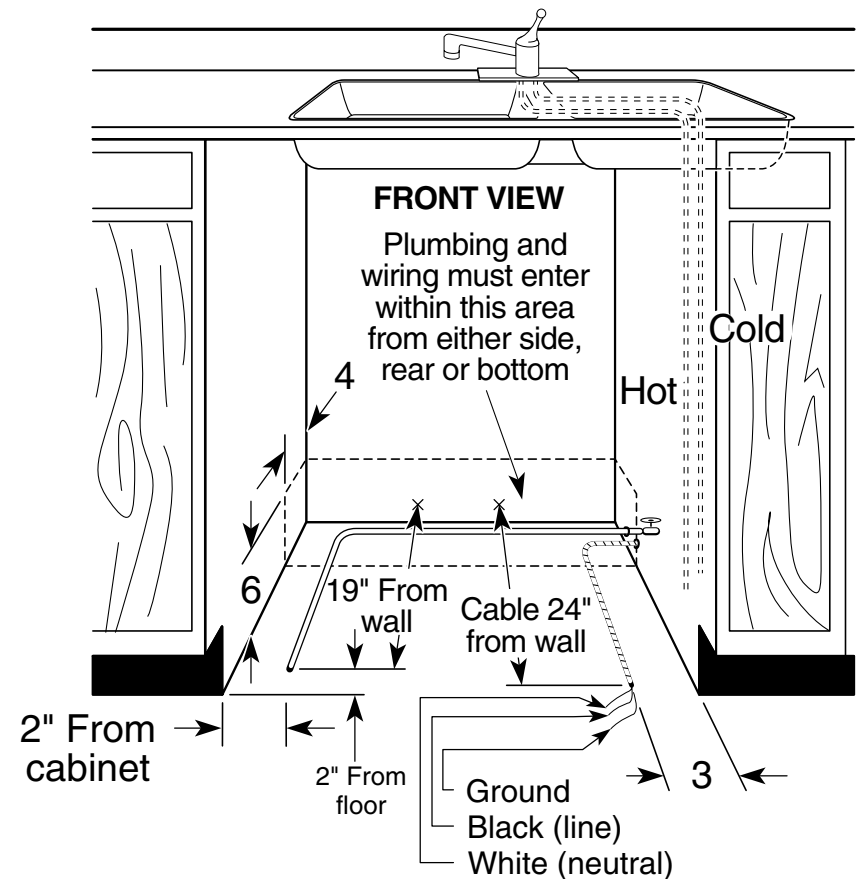
Note: Undersink dishwashers can be installed only under sinks and not under other appliances.

Plumbing—Hot Water Only: Use 3/8" O.D. copper tubing or 1/2" O.D. plastic tubing minimum inlet line. Water valve has 3/8" internal threads. Hand cut-off valve is recommended.

Electrical: Fuse circuit with 15 amp or 20 amp standard fuse or circuit breaker. Total amp load is 8.6. Dishwasher operates on 120V, 60HZ power, Two-wire cable (14 Ga. Min.) with ground must be installed.

Specifications: Inlet water temperature recommended—minimum 120°F at dishwasher. Inlet water pressure required—15 to 120 lbs./sq. inch.

Note: All rough-in, both plumbing and electrical, must be completed before the dishwasher is installed. All plumbing and electrical work must be in accordance with local codes.



For answers to your Monogram®, GE Profile™ or GE® appliance questions, visit our website at ge.com or call GE Answer Center® service, 800.626.2000.



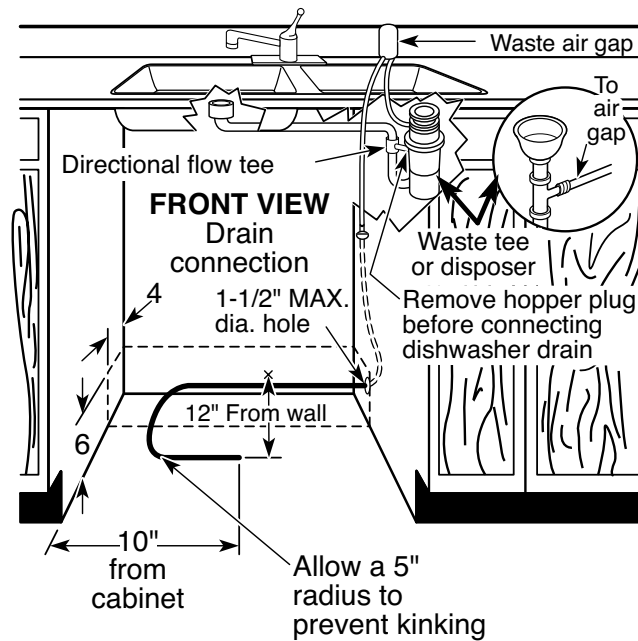
As an ENERGY STAR® partner, GE has determined that this product meets the ENERGY STAR guidelines for energy efficiency.

GSM2200N

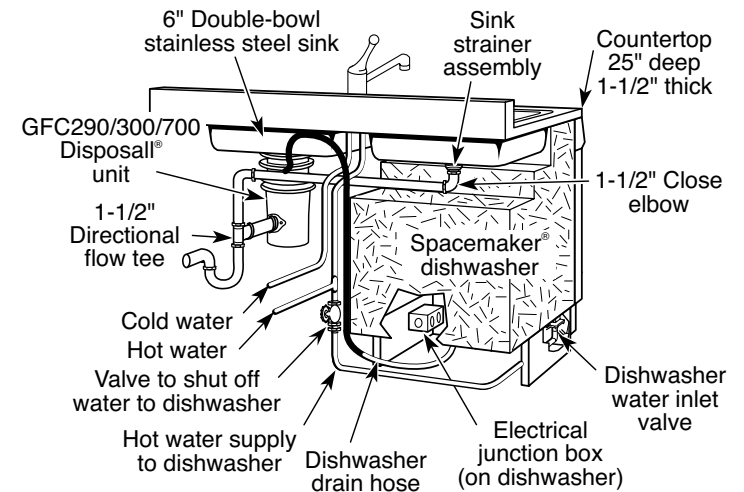
GE Spacemaker® Under-the-Sink Dishwasher

Note: A close-fitting elbow or special shallow sink strainer is necessary to provide clearance between sink drain and dishwasher. Dishwasher furnished with 1/2" I.D. drain hose, 78" long. If using copper tubing, 2" length of 1/2" I.D. rubber hose must be provided to connect copper tubing to pump outlet. Disposer should have 7/8" I.D. dishwasher drain connector.

Rough-In for Installation with Disposer Dimensions (in inches)



Rear View Plumbing Arrangement Dimensions (in inches)



imagination at work



Listed by Underwriters Laboratories



As an ENERGY STAR® partner, GE has determined that this product meets the ENERGY STAR guidelines for energy efficiency.

GSM2200N

GE Spacemaker® Under-the-Sink Dishwasher

Cabinet Rough-In Note: Either single- or double-bowl sink may be used, centered or offset, as shown in the front view illustration.

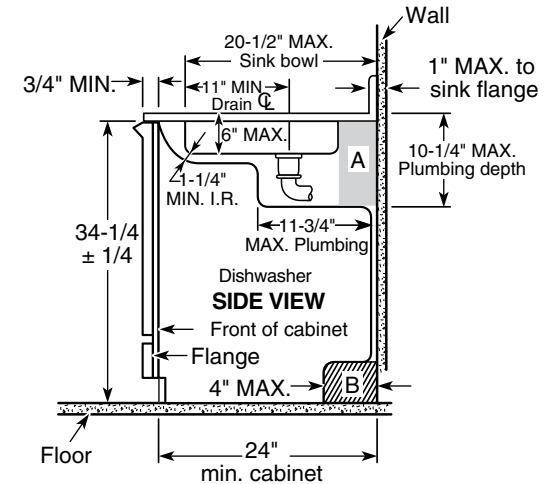
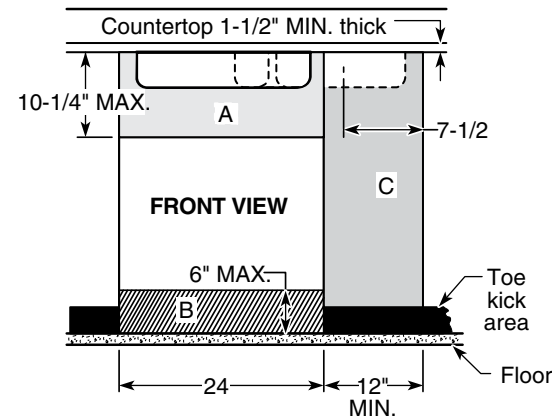
The 20-1/2" maximum dimension from wall to front of sink bowl must be accurate if dishwasher is to fit properly under sink. Water lines to sink faucet and drain from sink can be run through area "A."

HOT WATER line to dishwasher is installed in area "B."

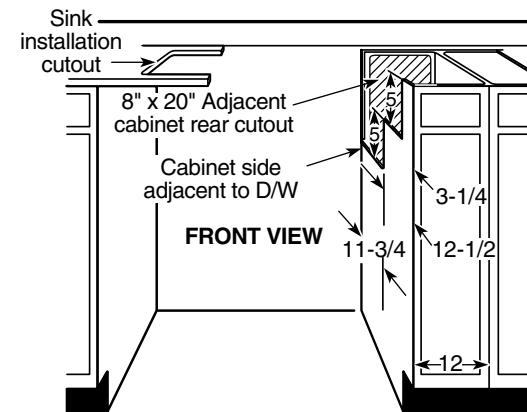
Garbage disposer, water lines to faucet, trap, waste air gap and water cutoff valve are installed in 12" wide cabinet shown in area "C." Sink opening for garbage disposer must be dimensioned as shown in front view, area "C" (7-1/2"). This will provide clearance for the disposer and plumbing in cabinet "C" when using double bowl sink.

If the sink bowl is more than 20-1/2" maximum specified distance from the wall, or if the base cabinet is less than the 24" minimum depth from the wall, a gap between the tub front flange and the front of the base cabinet may result.

Cabinet Rough-In Dimensions (in inches)

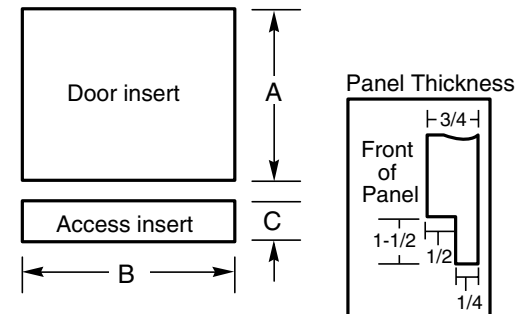


Cabinet Cut-Out for Sink Dimensions (in inches)



Cabinet cutouts for offset single and double bowl sinks. Dishwasher not provided with complete enclosure. Enclosures for sides, top, bottom and back must be provided by installer at time of installation.

Undersink Dishwasher Wood Insert Dimensions (in inches)



When using GPF325
1/4" custom dishwasher
door and access panel kit.

When using GPF375
3/4" custom dishwasher
door and access panel kit.



imagination at work



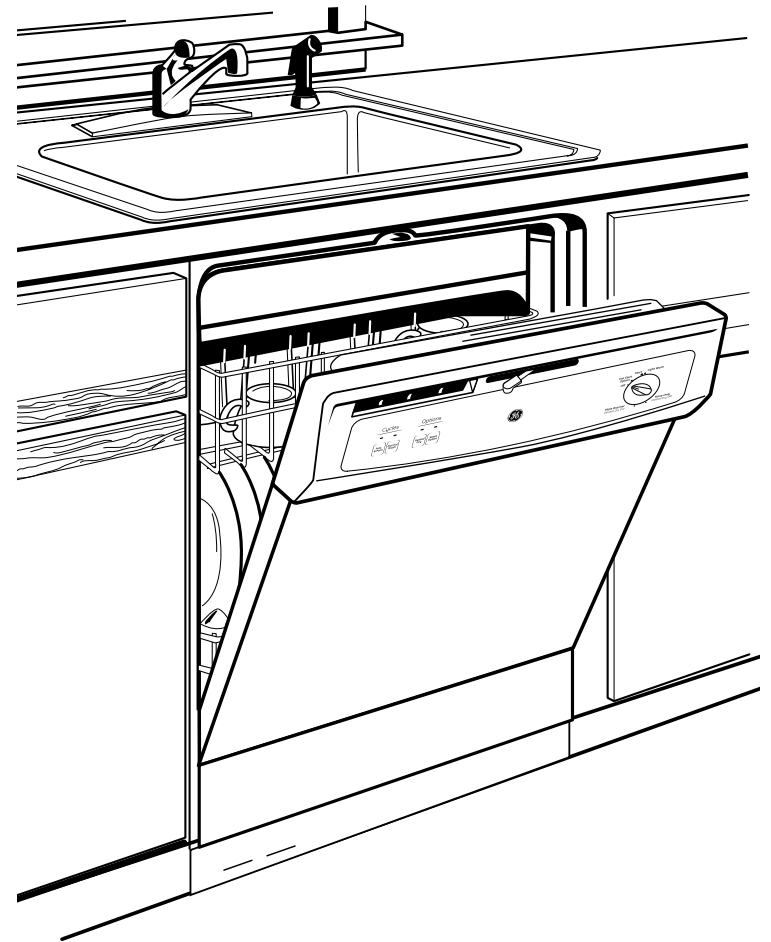
As an ENERGY STAR® partner, GE has determined that this product meets the ENERGY STAR guidelines for energy efficiency.

GSM2200N

GE Spacemaker® Under-the-Sink Dishwasher

Features and Benefits

- Trimless Door Design - Features sleek, classic panels for an instant built-in look
- Spacemaker® upper rack - Makes the most of any space, providing a roomy area for glassware and dishes
- 4-level PowerScrub™ wash system - Four wash levels quietly and efficiently scrub dishes clean
- Deluxe Silverware Basket - Provides convenient space and capacity to clean silverware efficiently and effectively
- QuietPower™ motor - Runs quietly and efficiently to keep the kitchen peaceful and quiet
- HotStart™ Option - Preheats water before the main wash cycle for dependable performance every time
- Meets 2007 ENERGY STAR® Criteria - Can reduce utility bill by using less water to get dishes clean
- Model GSM2200NWW - White on white
- Model GSM2200NCC - Bisque on bisque
- Model GSM2200NBB - Black on black



imagination at work