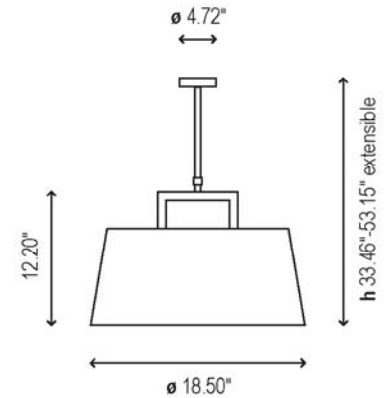


LUA 1 PENDANT

Fit to express the full range of lighting moods, material, form and scale come together in this highly versatile family of lamps.

BOVER

Powered by
Global Lighting



attributes


upper diffuser: frosted polycarbonate

backplate: satin nickel or black iron

shade: raw cotton or kaiman
 bottom: 18.50"
 height: 8.27"
 top: 15.75"

support: satin nickel, satin nickel with dark leather or black iron

lampping

 2 x 100W A-19

model numbers

4122904U-P-160C black iron/cotton
4122904U-P-161C black iron/kaiman
4122905U-P-160C satin nickel/cotton
4122905U-P-161C satin nickel/kaiman
4122960U-P-160C nickel, dark leather/cotton
4122960U-P-161C nickel, dark leather/kaiman

lampping

 2 x 18W twist lock GU24 self ballasted lamp

model numbers

4122904U-P-160C-18 black iron/cotton
4122904U-P-161C-18 black iron/kaiman
4122905U-P-160C-18 satin nickel/cotton
4122905U-P-161C-18 satin nickel/kaiman
4122960U-P-160C-18 nickel, dark leather/cotton
4122960U-P-161C-18 nickel, dark leather/kaiman

