

GLD8700/60N

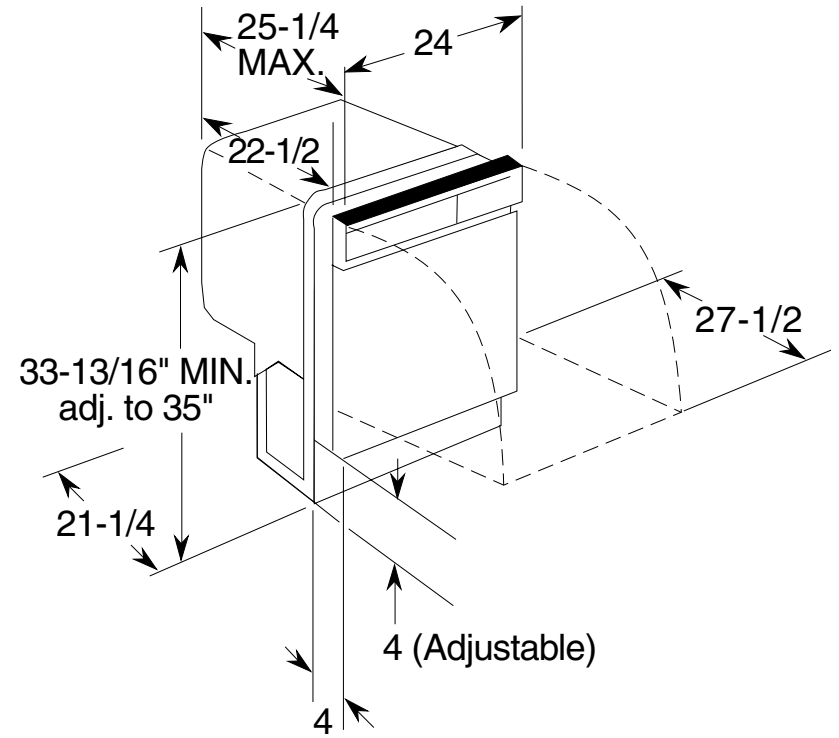
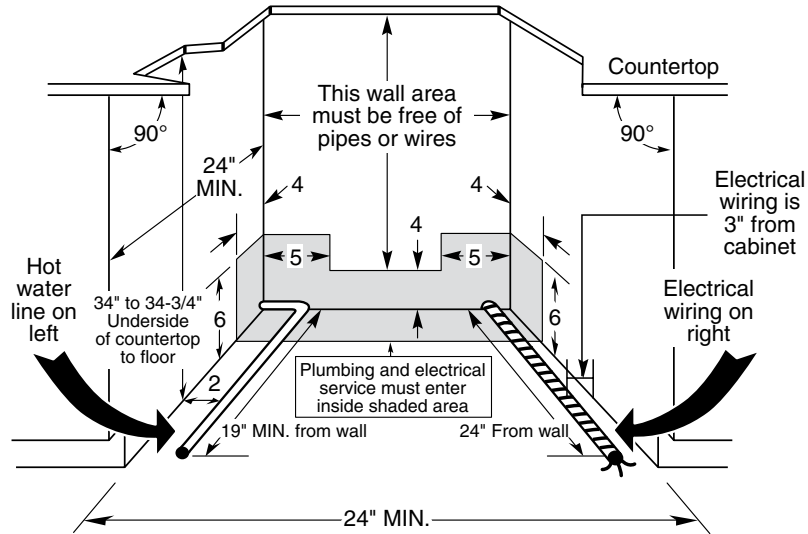
GE® Tall Tub Built-In Dishwasher

Dimensions and Installation Information (in inches)

Electrical Rating

Voltage AC.....	120
Hertz.....	60
Total connected load amperage.....	10
Calrod® heater watts max.....	875

For use on adequately wired 120-volt, 15-amp circuit having 2-wire service with a separate ground wire. This appliance must be grounded for safe operation.



For answers to your Monogram®, GE Profile™ or GE® appliance questions, visit our website at ge.com or call GE Answer Center® service, 800.626.2000.



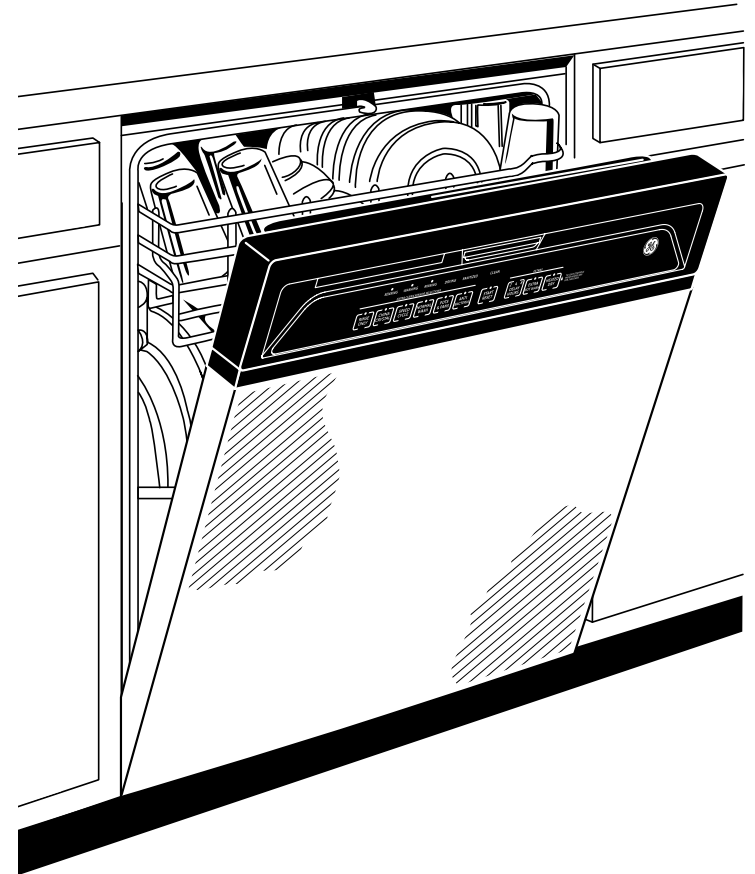
As an ENERGY STAR® partner, GE has determined that this product meets the ENERGY STAR guidelines for energy efficiency.

GLD8700/60N

GE® Tall Tub Built-In Dishwasher

Features and Benefits

- Bright Annealed Stainless Steel Interior - A lustrous finish and lasting beauty that resists stains and corrosion!
- Giant Tub with Maximum Capacity Nylon Racking - Holds tall and oversized items; washes 16 place settings at once
- 6-Level BrilliantClean™ Towerless Wash System - Quietly and efficiently powers dishes clean using remarkably less water and energy; 6 wash levels and three wash arms direct water onto dishes just where it's needed
- CleanSensor™ - Continually monitors the soil level and temperature in every cycle, adjusting water and cycle times as needed for the optimal clean
- Anti-Bacteria Cycle - Sanitizes tableware by reducing 99.999% of the bacteria found on dishes
- SpeedCycle™ - Cuts the length of the normal cycle in half, washing and drying lightly soiled dishes effectively in 35 minutes or less
- China/Crystal Cycle - Protects delicate dishes and glassware by lowering the water temperature during the cycle
- Model GLD8700NSS – Stainless steel (shown)
- Model GLD8700NWW – White on white
- Model GLD8700NBB – Black on black



imagination at work



As an ENERGY STAR® partner, GE has determined that this product meets the ENERGY STAR guidelines for energy efficiency.