

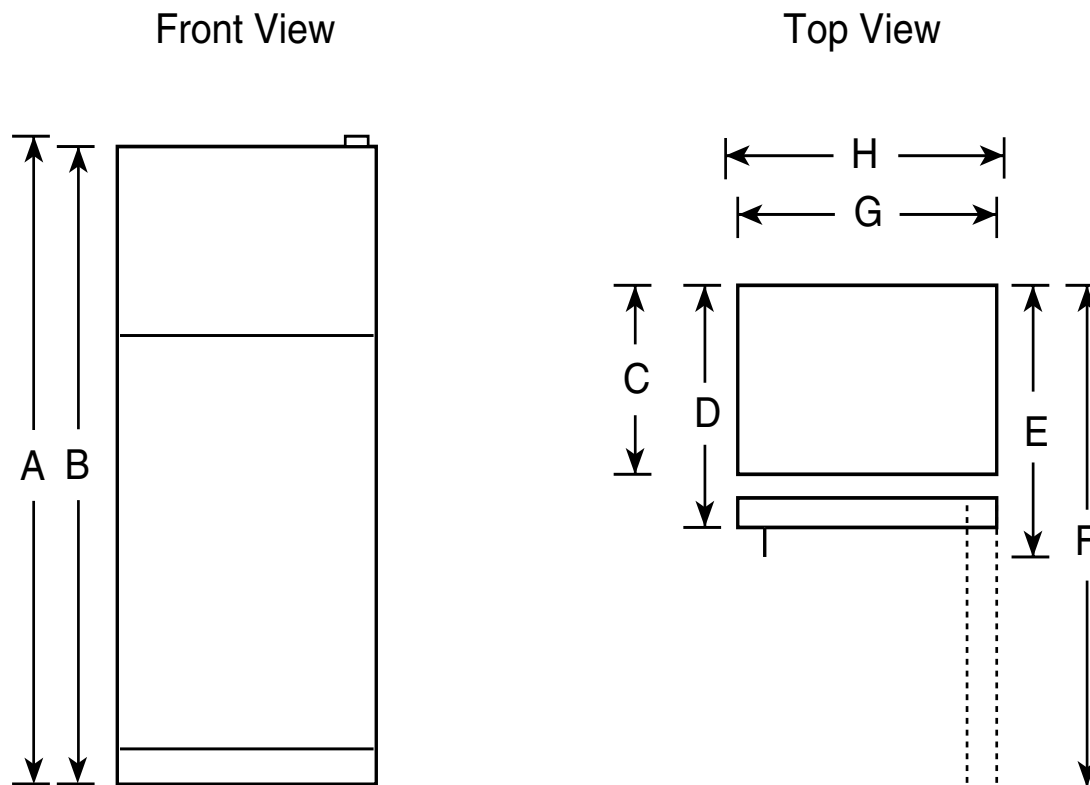
# GTH16BBS

## GE® ENERGY STAR® 15.5 Cu. Ft. Top-Freezer Refrigerator

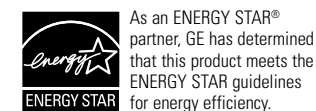
### Dimensions and Installation Information (in inches)

Overall Dimensions	Height to top of hinge (in.) <b>A</b>	<b>61-3/4</b>
	Height to top of case (in.) <b>B</b>	<b>61-1/4*</b>
	Case depth without door (in.) <b>C†</b>	<b>25-7/8</b>
	Case depth less door handle (in.) <b>D†</b>	<b>29-1/8</b>
	Case depth with door handle (in.) <b>E†</b>	<b>31</b>
	Depth with fresh food door open 90° (in.) <b>F†</b>	<b>54-7/8</b>
	Width (in.) <b>G</b>	<b>28</b>
	Width with door open 90° less door handle (in.) <b>H</b>	<b>30-1/2</b>
Air Clearances	Each side (in.)	<b>3/4</b>
	Top (in.)	<b>1</b>
	Back (in.)	<b>1</b>

\*Height to mid-freezer (in.): 51-3/8



For answers to your Monogram®, GE Profile™ or GE® appliance questions, visit our website at [ge.com](http://ge.com) or call GE Answer Center® service, 800.626.2000.



Specification Revised 8/07

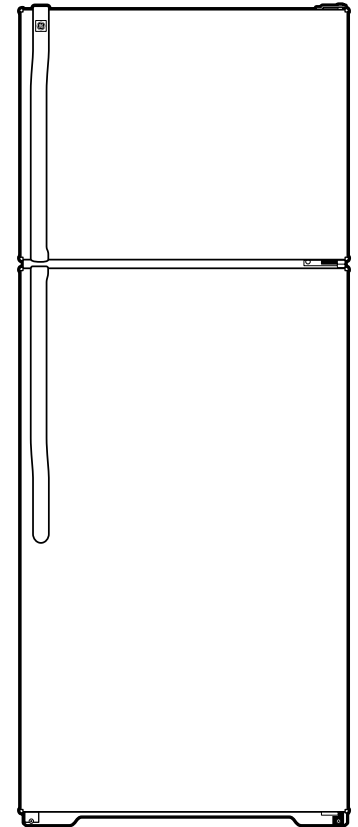
310471

# GTH16BBS

## GE® ENERGY STAR® 15.5 Cu. Ft. Top-Freezer Refrigerator

### Features and Benefits

- Upfront Temperature Controls - Are positioned up front, close at hand, for maximum convenience and ease of use
- Gallon Door Storage - Makes room for milk and any other gallon size containers
- Vegetable/Fruit Crispers - For easy storage of your fruits and vegetables
- Adjustable Wire Shelves - Minimizes usable storage space
- NeverClean™ Condenser - Condenser coils are encased, so they don't require cleaning in normal operating environments
- Deluxe Quiet Design - Significantly reduces operating noise
- Square Doors - Classic design that's compatible with any kitchen décor
- Model GTH16BBSWW - White on white
- Model GTH16BBSCC - Bisque on bisque
- Model GTH16BBSBB - Black on black



imagination at work



As an ENERGY STAR® partner, GE has determined that this product meets the ENERGY STAR guidelines for energy efficiency.

Specification Revised 8/07

310471