

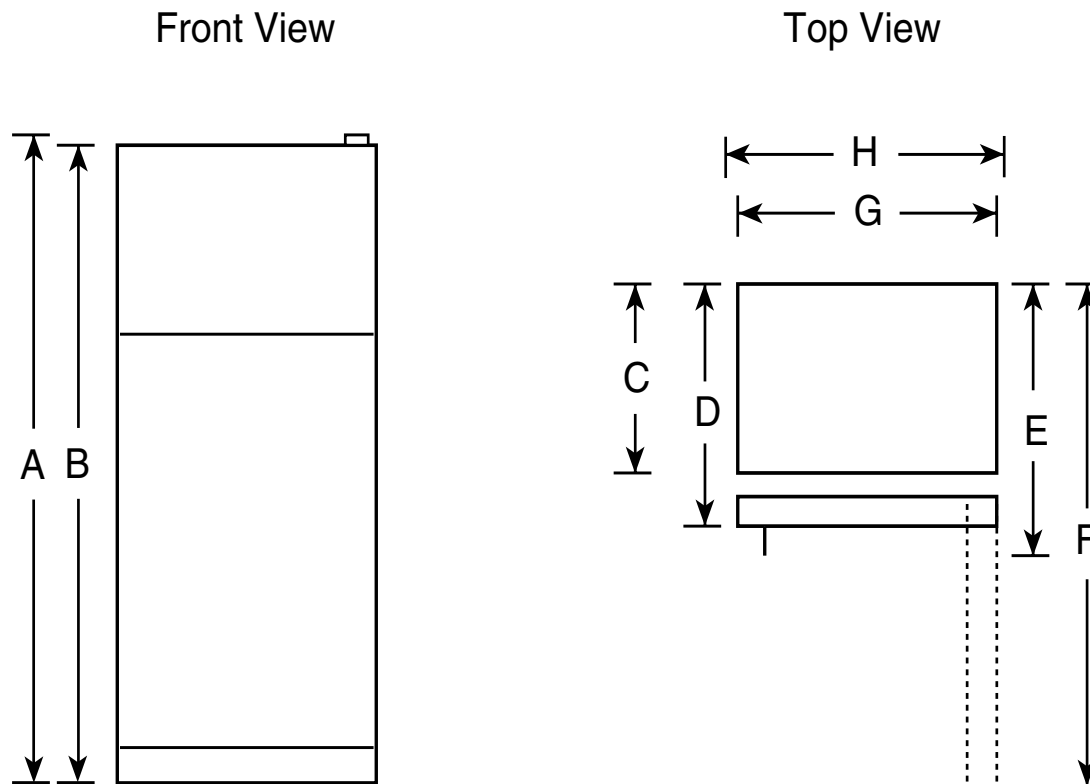
GTR16BBS

GE® 15.7 Cu. Ft. Top-Freezer Refrigerator

Dimensions and Installation Information (in inches)

Overall Dimensions	Height to top of hinge (in.) A	61-3/4
	Height to top of case (in.) B	61-1/4*
	Case depth without door (in.) C†	25-7/8
	Case depth less door handle (in.) D†	29-1/8
	Case depth with door handle (in.) E†	29-1/8
	Depth with fresh food door open 90° (in.) F†	54-7/8
	Width (in.) G	28
	Width with door open 90° inc. door handle (in.) H	28-5/8
Air Clearances	Each side (in.)	3/4
	Top (in.)	1
	Back (in.)	1

*Height to mid-freezer (in.): 51-3/8



For answers to your Monogram®, GE Profile™ or GE® appliance questions, visit our website at ge.com or call GE Answer Center® service, 800.626.2000.



Specification Created 1/05

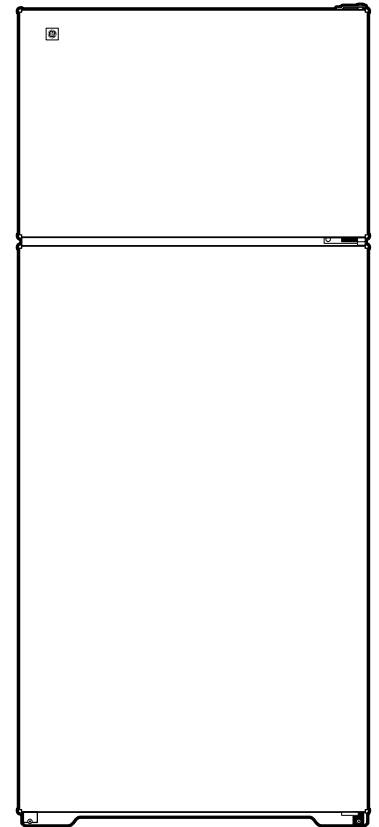
310470

GTR16BBS

GE® 15.7 Cu. Ft. Top-Freezer Refrigerator

Features and Benefits

- Upfront Temperature Controls - Are positioned up front, close at hand, for maximum convenience and ease of use
- Recessed handles - Color-matched recessed door handles reflects the latest in European style and Appearance
- Vegetable/Fruit Crispers - For easy storage of your fruits and vegetables
- Gallon Door Storage - Makes room for milk and any other gallon size containers
- Adjustable Wire Shelves - Minimizes usable storage space
- NeverClean™ Condenser - Condenser coils are encased, so they don't require cleaning in normal operating environments
- Deluxe Quiet Design - Significantly reduces operating noise
- Model GTR16BBSWW - White on white
- Model GTR16BBSCC - Bisque on bisque



imagination at work