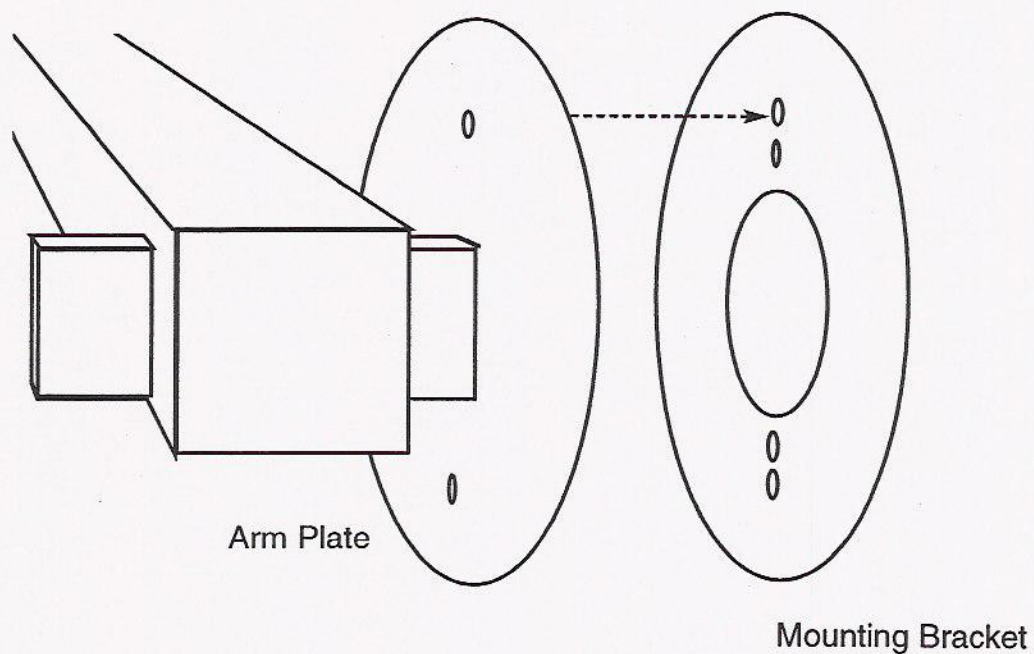


## 814/15 - TWO<sup>2</sup> WALL MOUNT



### INSTALLATION INSTRUCTION

- Remove mounting bracket from arm plate on both arms of fixture.
- Screw mounting bracket to J-box on one side and to wall on the other at appropriate distance.
- Connect wire from feed arm to wires from J-box.
- Screw arm plates to mounting brackets.

**RON REZEK**