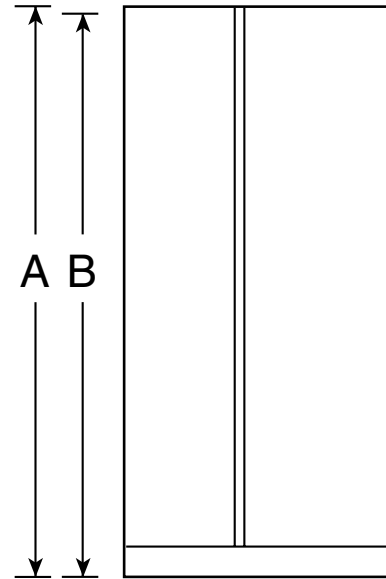


# PSIC5RGX

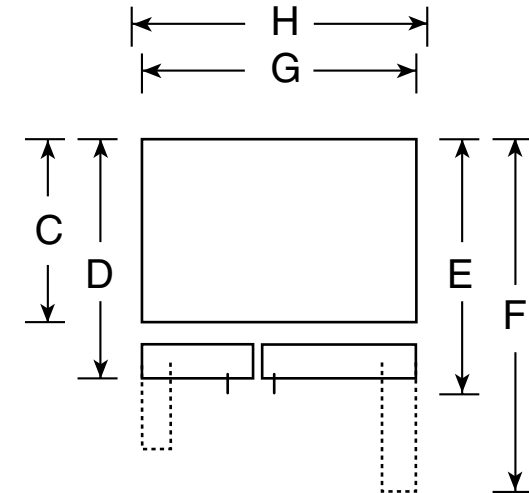
## GE Profile™ Counter-Depth 24.6 Cu. Ft. Side-By-Side Refrigerator

### Dimensions and Installation Information (in inches)

Overall Dimensions	Height to top of hinge (in.) <b>A</b>	<b>72-1/8</b>
	Height to top of case (in.) <b>B</b>	<b>71-5/8</b>
	Case depth without door (in.) <b>C†</b>	<b>23-7/8</b>
	Case depth less door handle (in.) <b>D†</b>	<b>27-1/2</b>
	Case depth with door handle (in.) <b>E†</b>	<b>28-3/4</b>
	Depth with fresh food door open 90° (in.) <b>F†</b>	<b>46</b>
	Width (in.) <b>G</b>	<b>35-3/4</b>
Air Clearances	Width with door open 90° inc. door handle (in.) <b>H</b>	<b>39-3/8</b>
	Each side (in.)	<b>1/8</b>
	Top (in.)	<b>1</b>
	Back (in.)	<b>1</b>



Front View



Top View

†Water hook-up fits in back air clearance when calculating installation depth.

If installed against a wall, allow clearance of 13-15/16" on freezer side to remove bin.

Clearance required to remove fresh food full-size pan without disassembling is 18-5/8".

Allow additional space for any necessary leveling adjustments.

For answers to your Monogram,® GE Profile™ or GE® appliance questions, visit our website at [ge.com](http://ge.com) or call GE Answer Center® service, 800.626.2000.



As an ENERGY STAR® partner, GE has determined that this product meets the ENERGY STAR guidelines for energy efficiency.

# PSIC5RGX

## GE Profile™ Counter-Depth 24.6 Cu. Ft. Side-By-Side Refrigerator

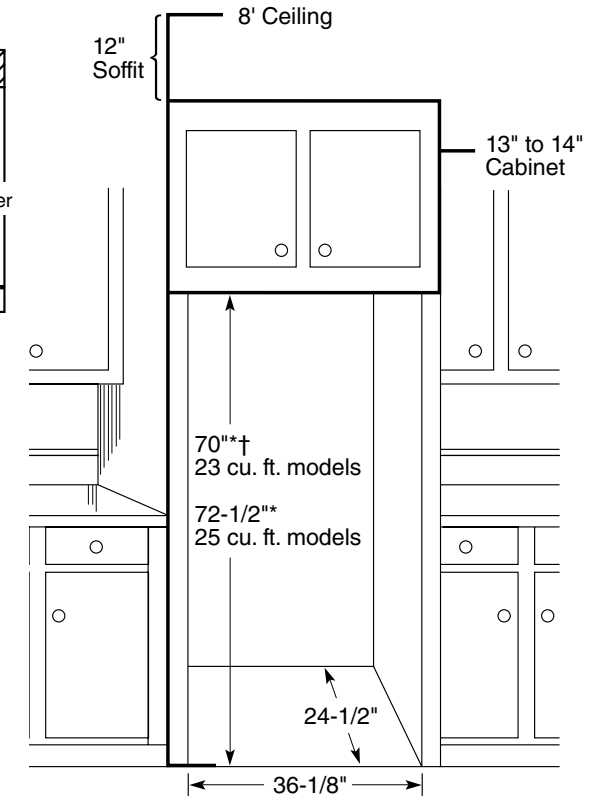
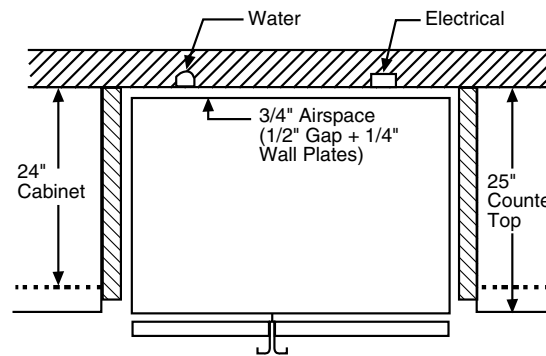
### Rough-In Dimensions and Installation Information (in inches)

#### Installation Tips to Maximize the Built-In Look

- All wall/floor molding should be removed prior to installation.
- Water recess on rear wall recommended to prevent water line damage. 48" minimum length, 1/4" diameter water line tubing recommended.
- When possible, recess both copper water line and electrical outlet. (See local codes)
- Front and rear leveling legs are adjustable for the built-in look. (See owner's manual)

\*The rough-in dimensions of 70" for 23 cu. ft. models and 72-1/2" for 25 cu. ft. models are minimum and measured from the finished floor to top of opening (or the underside of the overhead cabinets). For Models with Trim Kit: If frameless style cabinets are planned for above the refrigerator, you may need to consider adding a maximum of 1/4" (70-1/4") to height of opening for 23 cu. ft. models and 1/8" (72-5/8") for 25 cu. ft. models to allow for additional clearance between the cabinet doors and the top of refrigerator trim when the cabinet doors are in open position.

†Model PSDW3YGX is 71-3/4"



For answers to your Monogram®, GE Profile™ or GE® appliance questions, visit our website at [ge.com](http://ge.com) or call GE Answer Center® service, 800.626.2000.



imagination at work



Listed by  
Underwriters  
Laboratories



As an ENERGY STAR® partner, GE has determined that this product meets the ENERGY STAR guidelines for energy efficiency.

Specification Revised 5/08

210226

# PSIC5RGX

## GE Profile™ Counter-Depth 24.6 Cu. Ft. Side-By-Side Refrigerator

### Rough-In Dimensions and Installation Information (in inches)

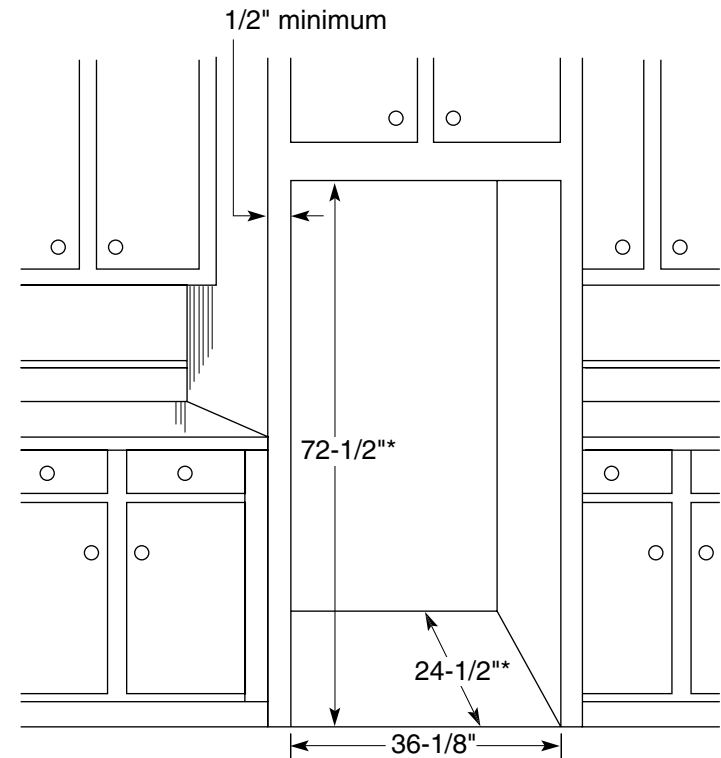
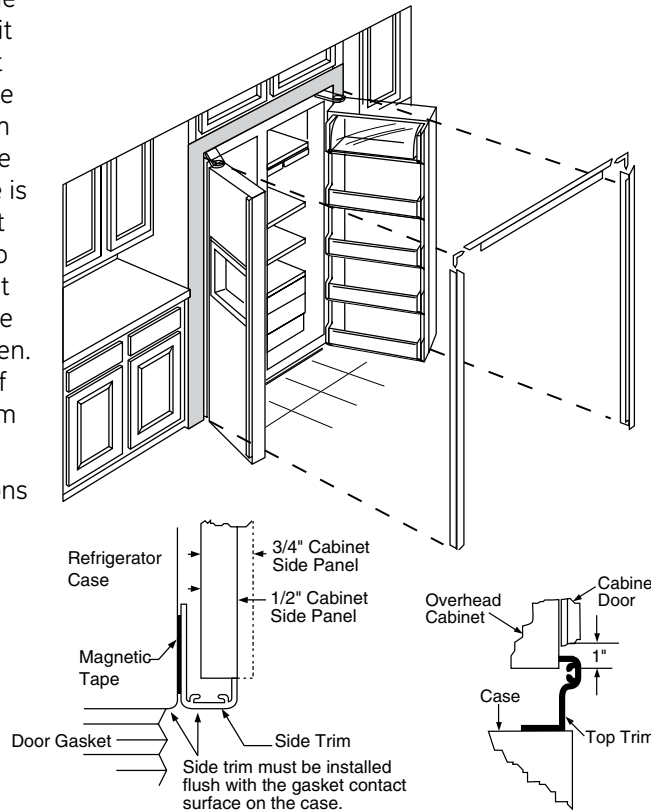
#### Collar Trim Installation

An enclosure is required to match up to the trim, see Typical Installation. To obtain the most integrated look, the cabinet or soffit above the refrigerator should extend out to the same depth as the side panels. The refrigerator opening must have minimum dimensions of 72-1/2" high x 36-1/8" wide x 24-1/2" deep as shown at right. If there is an overhead cabinet, allow 1" for cabinet door clearance with the top trim piece so the cabinet doors can be opened without hitting the top trim. If 1/2" side panels are used, then side trim and panel will be even. If 3/4" side panels are used, then some of the side panel will extend beyond the trim and must be finished.

**IMPORTANT:** Before finalizing specifications for your GE Profile Counter-Depth Refrigerator, please NOTE:

- A minimum of 36-1/8" is required for refrigerator installation with collar
- Be sure to allow for 1/2" or 3/4" side panels in addition to the 36-1/8" minimum.

**Typical Installation**  
Shaded areas represent front surfaces of side panels and overhead cabinet or soffit that contacts trim.



\*The rough-in dimension of 72-1/2" is minimum and is measured from the finished floor to top of opening (or the underside of the overhead cabinets). For Models with Trim Kit: If frameless style cabinets are planned for above the refrigerator, you may need to consider adding a maximum of 1/4" (72-3/4") to height of opening to allow additional clearance between cabinet doors and top of refrigerator trim when cabinet doors are in open position.

For answers to your Monogram®, GE Profile™ or GE® appliance questions, visit our website at [ge.com](http://ge.com) or call GE Answer Center® service, 800.626.2000.



imagination at work



Specification Revised 5/08

210226

# PSIC5RGX

## GE Profile™ Counter-Depth 24.6 Cu. Ft. Side-By-Side Refrigerator

### Door Panel Dimensions and Installation Information (in inches)

Order your own custom wood panels to match cabinetry or other decor.

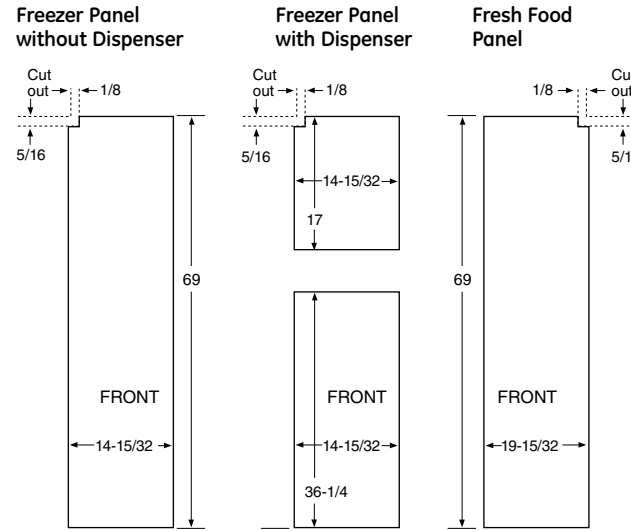
Panels up to 1/4" thick will fit door frame with no special preparation. Add filler behind material thinner than 1/4" for proper fit.

**Weight Limits:** Total weight of panels (i.e., both freezer panels)—Fresh Food = 38 lbs., Freezer = 28 lbs.

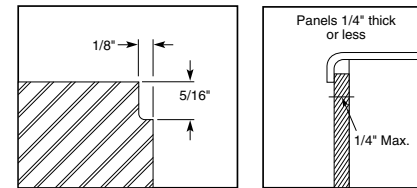
**NOTE:** Panels up to 3/4" will require special routing area around handles. Dimensions may vary depending on depth of panel.

**IMPORTANT:** Before finalizing specifications for your GE Profile Counter-Depth Refrigerator, please NOTE:

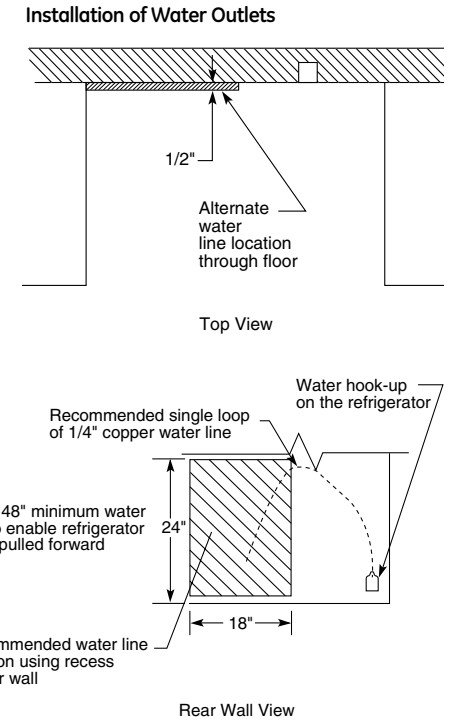
- A minimum of 36-1/8" is required for refrigerator installation with collar
- Be sure to allow for 1/2" or 3/4" side panels in addition to the 36-1/8" minimum.



Detail C



(Fresh Food panel shown)  
Notch required at top corner as noted.



For answers to your Monogram®, GE Profile™ or GE® appliance questions, visit our website at [ge.com](http://ge.com) or call GE Answer Center® service, 800.626.2000.

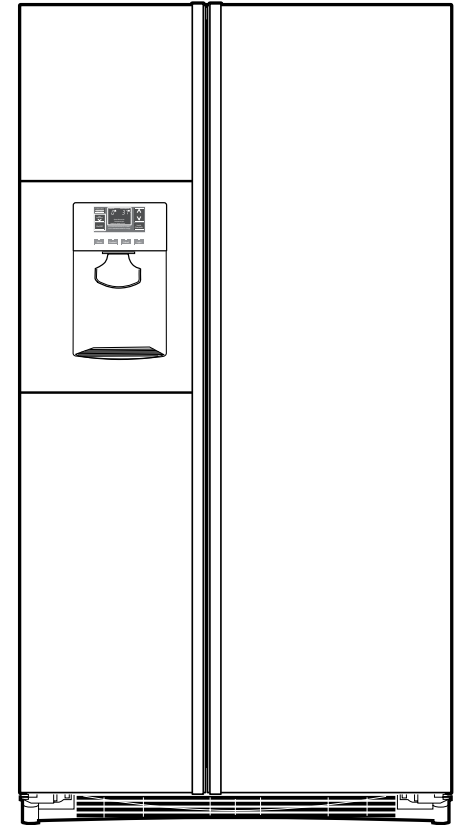


# PSIC5RGX

## GE Profile™ Counter-Depth 24.6 Cu. Ft. Side-By-Side Refrigerator

### Features and Benefits

- Counter-Depth Design - Offers a built-in look without the built-in expense
- ClimateKeeper2™ System - Keeps food garden fresh longer, while protecting ice from odor transfer, with its unique dual-evaporator system
- Quick Ice™ Option - Makes ice up to 50% faster than normal settings-ideal for entertaining
- TurboCool™ Setting - Cools the refrigerator quickly after frequent door openings
- Integrated Ice™ System - Frees up valuable freezer space; It tilts down, providing easy access to bulk ice
- Integrated Shelf Support System - Provides strong, yet flexible support
- Adjustable ClearLook™ Door Bins - Hold gallon-size containers with style and ease
- Adjustable Slide-Out, Spillproof Glass Shelves - Raised edges help contain spills and slide-out shelves make clean up quick and easy
- GE Water Plus Filtration System - Delivers clean, great-tasting water and ice through the LightTouch! Dispenser with indicator light
- FrostGuard™ Technology - Protects frozen items from freezer burn by monitoring freezer door openings and defrosting only when needed
- Premium Quiet Design - GE's most advanced sound control system
- Model PSIC5RGXBV - Black on black
- Model PSIC5RGXWV - White on white
- Model PSIC5RGXCV - Bisque on bisque



imagination at work



As an ENERGY STAR® partner, GE has determined that this product meets the ENERGY STAR guidelines for energy efficiency.