

Talak FLU floor

Talak LED floor

Neil Poulton 2008

Floor standing luminaires for direct adjustable fluorescent or LED lighting.

- body in injection molded thermoplastic in matte white powder coated finish, incorporating miniature T2 fluorescent or energy saving LED lighting
- body rotates 360° and can be adjusted in height by sliding it along its stem
- stem in polished chromed steel
- floor base in white painted steel

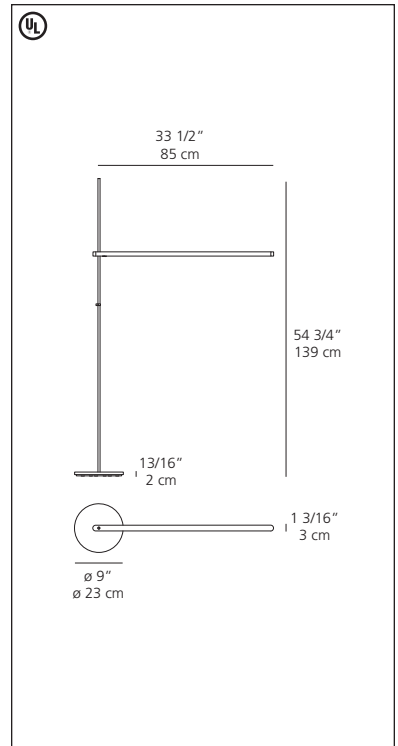
FLU version

- electronic ballast incorporated in body
- on/off switch on body

LED version

- dimmer switch on body
- energy efficient LED utilizing an array of 80 LEDs/8W

eco♥design



Talak FLU floor

fluorescent source

- 1 x 13W (axial/T2) supplied.....

Talak LED floor

LED source

- 80 LEDs/8W supplied

