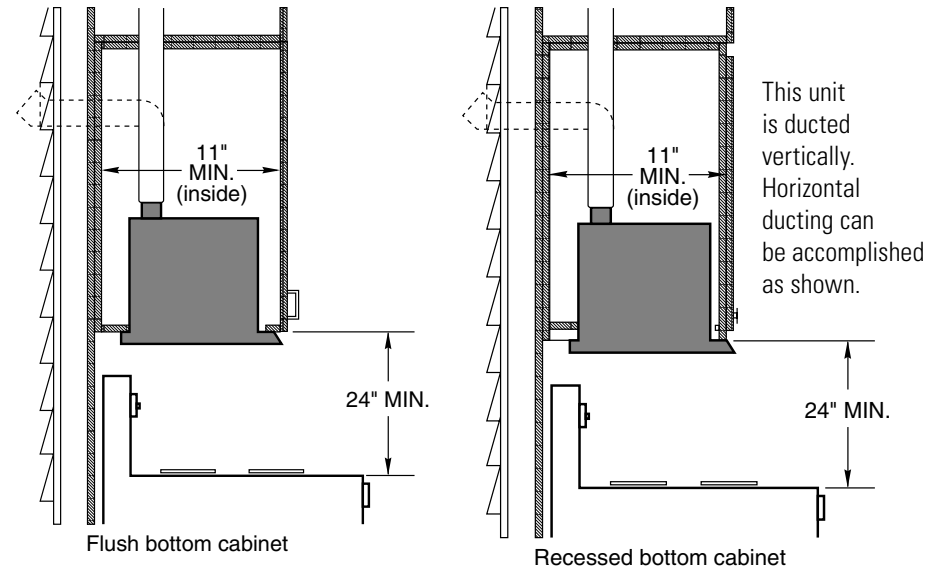
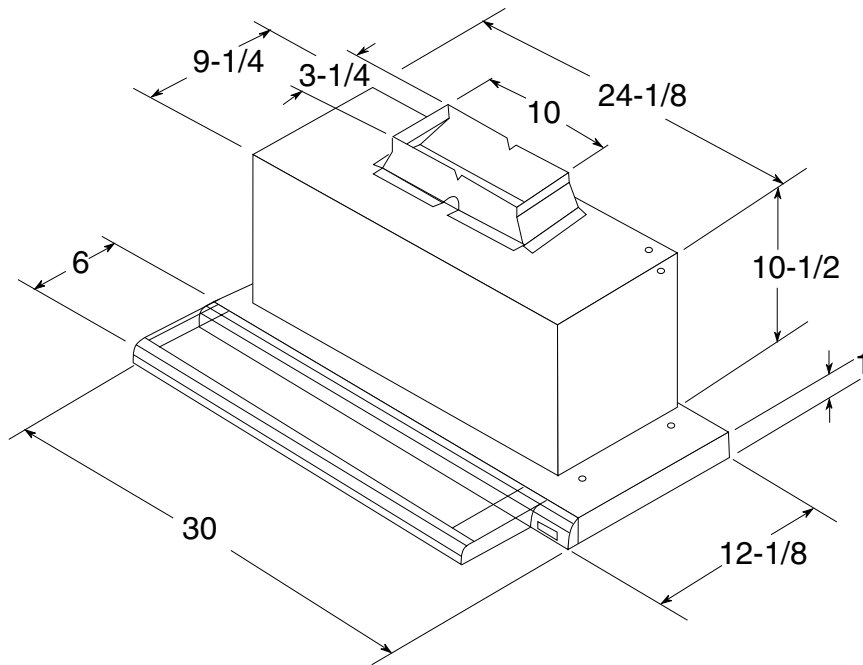




Profile™

JV394S – GE Profile™ Slide-Out Hood

Installation Information and Dimensions (in inches)



| Amp Rating | |
|------------|-----|
| 120V | 3.7 |

Note: Remove glass visor from unit before installing hood in cabinet to protect visor from damage.

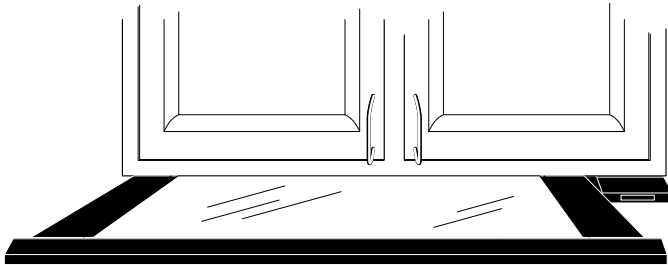
Installation Information: Before installing, consult Use & Care/installation instructions [Pub. No. 49-8463] packed with product for current dimensional data.





Profile™

JV394S – GE Profile™ Slide-Out Hood



Features and Benefits

- Black on black Model
- 30" Vented Hood With Cooktop Light
- See-Through Glass Visor Slides In and Out
- 300 CFM Performance With Variable Speed Fan Control
- Auto Heat Sensor
- Compact Housing Leaves Ample Shelf Space Behind Cabinet Doors
- Vertical Exhaust With 3-1/4" x 10" Rectangular Duct
- Sones Rating: Top Exhaust – 4.5
- Also Available In White on white as Model JV395S and Bisque as in Model JV396S