

JV348L

GE® 30" Deluxe Range Hood

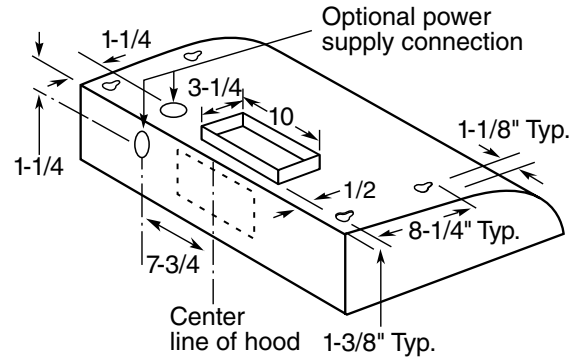
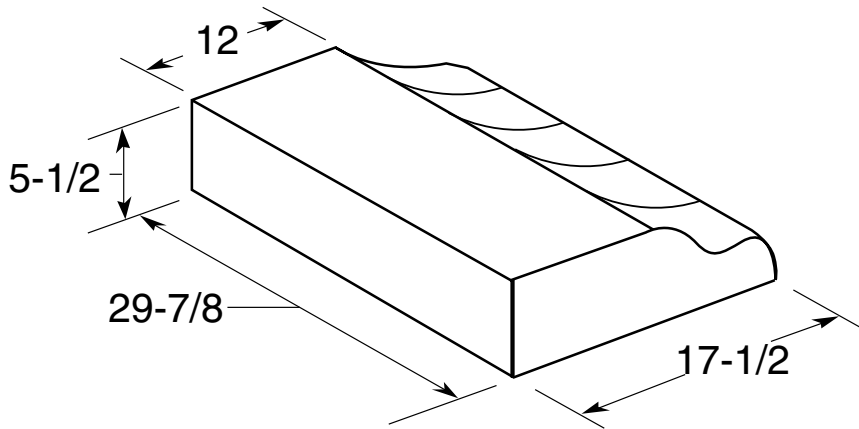
Dimensions and Installation Information (in inches)

Amp Rating	
120V	2.5

WB02X9381 replacement grease filter and WB02X10700 replacement charcoal filter are available for additional cost. Call toll-free 800.626.2002.

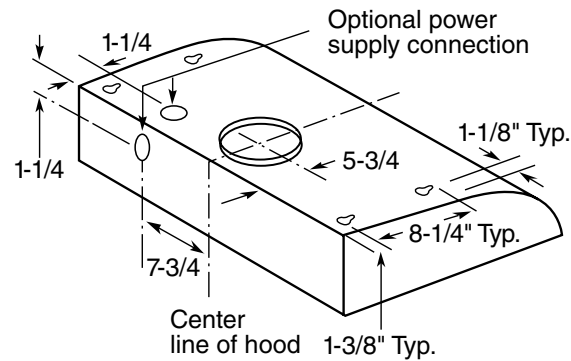
JXHC1 Cord Kit: Allows a receptacle in the cabinet over the range to accommodate either an over-the-range microwave oven or a standard hood.

Installation Information: Before installing, consult installation instructions, packed with product, for current dimensional data. Light bulb(s) not included.



Refer to this drawing for rectangular exhaust option.

Exhaust outlet connects to 3-1/4" x 10" rectangular duct. Vent top or rear. Includes rectangular damper.



Refer to this drawing for round exhaust option.

Exhaust outlet connects to 7" diameter duct. Vent top only. Round damper accessory. JXDA22, available at additional cost.

For answers to your Monogram®, GE Profile™ or GE® appliance questions, visit our website at ge.com or call GE Answer Center® service, 800.626.2000.

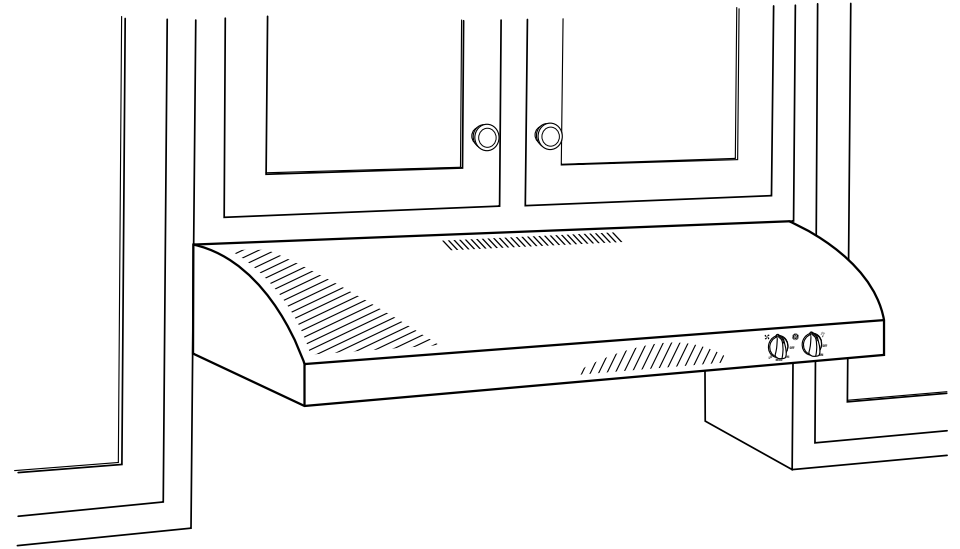


JV348L

GE® 30" Deluxe Range Hood

Features and Benefits

- Convertible Venting – Hood configuration can be changed to fit the needs of various installation requirements
- Vertical and Rear Exhaust – Provides the option of connecting duct work to either the rear or the top of the hood
- Variable 3 Speed Fan Control – Powerful variable speed exhaust system that effectively pulls smoke and vapors out of the kitchen
- Cooktop Light – Provides light to illuminate cooking surface below hood
- Removable Grease Filter – Durable filters can be removed for easy cleaning and maintenance
- Round and Rectangular Ducting – Hood is designed to fit either standard round or rectangular duct work
- Damper Included
- Model JV348LSS – Stainless steel



For answers to your Monogram,® GE Profile™ or GE® appliance questions, visit our website at ge.com or call GE Answer Center® service, 800.626.2000.



imagination at work