



Profile Dryers

Safety Instructions 2-4

Operating Instructions

Controls5-8
Cycle Options9, 10
Dryer Features10, 11
Quick Start Guide5
Settings Option10
Using the Dryer12

Installation Instructions

Before You Begin13, 14
Connecting the Inlet Hoses16
Connecting a Gas Dryer17-20
Connecting an
Electric Dryer21-23
Exhausting the Dryer24-30
Final Setup31
Installing the Pedestal41-43
Location of your Dryer14, 15
Reversing the Door Swing32-37
Stacking the Washer
and Dryer38-40

Troubleshooting Tips44-47

Consumer Support

Consumer Support Back Cover
Warranty (Canada) 50
Warranty (U.S.) 49

**Owner's Manual &
Installation Instructions**

DPVH890
UPVH890

Sécheuses Profile

**Manuel d'utilisation
et d'installation**

La section française commence à la page 101

Secadoras Profile

**Manual del propietario
e instalación**

La sección en español empieza en la página 101

SAVE THESE INSTRUCTIONS

Write the model and serial
numbers here:

Model # _____

Serial # _____

They are on the label on the front
of the dryer behind the door.

IMPORTANT SAFETY INFORMATION. READ ALL INSTRUCTIONS BEFORE USING.

▲ WARNING!

For your safety, the information in this manual must be followed to minimize the risk of fire or explosion, electric shock, or to prevent property damage, personal injury, or death.

- Do not store or use gasoline or other flammable vapors and liquids in the vicinity of this or any other appliance.
- Installation and service must be performed by a qualified installer, service agency or the gas supplier.

WHAT TO DO IF YOU SMELL GAS:

- 1 Do not try to light a match, or cigarette, or turn on any gas or electrical appliance.
- 2 Do not touch any electrical switch; do not use any phone in your building.
- 3 Clear the room, building or area of all occupants.
- 4 Immediately call your gas supplier from a neighbor's phone. Follow the gas supplier's instructions carefully.
- 5 If you cannot reach your gas supplier, call the fire department.

California Safe Drinking Water and Toxic Enforcement Act

This act requires the governor of California to publish a list of substances known to the state to cause cancer, birth defects or other reproductive harm and requires businesses to warn customers of potential exposure to such substances.

Gas appliances can cause minor exposure to four of these substances, namely benzene, carbon monoxide, formaldehyde and soot, caused primarily by the incomplete combustion of natural gas or LP fuels.

Properly adjusted dryers will minimize incomplete combustion. Exposure to these substances can be minimized further by properly venting the dryer to the outdoors.



PROPER INSTALLATION

This dryer must be properly installed and located in accordance with the Installation Instructions before it is used. Installation Instructions are included in the back of this manual.

- Properly ground dryer to conform with all governing codes and ordinances. Follow details in Installation Instructions.
- Install or store where it will not be exposed to temperatures below freezing or exposed to water or weather.
- Connect to a properly rated, protected and sized power supply circuit to avoid electrical overload.
- Remove all sharp packing items and dispose of all shipping materials properly.

Exhaust/Ducting

- 1 Dryers **MUST** be exhausted to the outside to prevent large amounts of moisture and lint from being blown into the room.
- 2 Use only rigid metal 4" diameter ductwork inside the dryer cabinet. Use only rigid metal or flexible metal 4-in diameter ductwork for exhausting to the outdoors. Never use plastic or other combustible, easy-to-puncture ductwork.

For complete details, follow the Installation Instructions.

⚠ WARNING!



YOUR LAUNDRY AREA

- Keep the area underneath and around your appliances free of combustible materials, (lint, paper, rags, etc.), gasoline, chemicals and other flammable vapors and liquids.
- Keep the floor around your appliances clean and dry to reduce the possibility of slipping.
- Close supervision is necessary if this appliance is used by or near children. Do not allow children to play on, with or inside this or any other appliance.
- Keep the area around the exhaust opening and adjacent surrounding areas free from the accumulation of lint, dust and dirt.
- Keep all laundry aids (such as detergents, bleaches, etc.) out of the reach of children, preferably in a locked cabinet. Observe all warnings on container labels to avoid injury.
- Never climb on or stand on the dryer top.



WHEN USING YOUR DRYER

- Never reach into the dryer while the drum is moving. Before loading, unloading or adding clothes, wait until the drum has completely stopped.
- Clean the lint filter before each load to prevent lint accumulation inside the dryer or in the room. **DO NOT OPERATE THE DRYER WITHOUT THE LINT FILTER IN PLACE.**
- Do not wash or dry articles that have been cleaned in, washed in, soaked in or spotted with combustible or explosive substances (such as wax, oil, paint, gasoline, degreasers, dry-cleaning solvents, kerosene, etc.). These substances give off vapors that may ignite or explode. Do not add these substances to the wash water. Do not use or place these substances around your washer or dryer during operation.
- Do not place items exposed to cooking oils in your dryer. Items contaminated with cooking oils may contribute to a chemical reaction that could cause a clothes load to catch fire.
- Any article on which you have used a cleaning solvent or that contains flammable materials (such as cleaning cloths, mops, towels used in beauty salons, restaurants or barber shops, etc.) must not be placed in or near the dryer until solvents or flammable materials have been removed. There are many highly flammable items used in homes such as acetone, denatured alcohol, gasoline, kerosene, some household cleaners, some spot removers, turpentine, waxes, wax removers and products containing petroleum distillates.
- The laundry process can reduce the flame retardancy of fabrics. To avoid such a result, carefully follow the garment manufacturer's care instructions.
- Do not dry articles containing rubber, plastic or similar materials such as padded bras, tennis shoes, galoshes, bath mats, rugs, bibs, baby pants, plastic bags, pillows, etc. that may melt or burn. Some rubber materials, when heated, can under certain circumstances produce fire by spontaneous combustion.
- Do not store plastic, paper or clothing that may burn or melt on top of the dryer during operation.
- Garments labeled *Dry Away from Heat* or *Do Not Tumble Dry* (such as life jackets containing Kapok) must not be put in your dryer.
- Do not dry fiberglass articles in your dryer. Skin irritation could result from the remaining particles that may be picked up by clothing during subsequent dryer uses.
- To minimize the possibility of electric shock, unplug this appliance from the power supply or disconnect the dryer at the household distribution panel by removing the fuse or switching off the circuit breaker before attempting any maintenance or cleaning (except the removal and cleaning of the lint filter). **NOTE:** Pressing **START/PAUSE** or **POWER** does **NOT** disconnect the appliance from the power supply.
- If you see water on the floor around the dryer, call for service.

IMPORTANT SAFETY INFORMATION. READ ALL INSTRUCTIONS BEFORE USING.

▲ WARNING!



WHEN USING YOUR DRYER (cont.)

- Never attempt to operate this appliance if it is damaged, malfunctioning, partially disassembled, or has missing or broken parts, including a damaged cord or plug.
- The interior of the machine and the exhaust duct connection inside the dryer should be cleaned at least once a year by a qualified technician. See the *Sorting and Loading Hints* section on page 12.
- If yours is a gas dryer, it is equipped with an automatic electric ignition and does not have a pilot light. **DO NOT ATTEMPT TO LIGHT WITH A MATCH.** Burns may result from having your hand in the vicinity of the burner when the automatic ignition turns on.
- Do not open the dryer door during steam cycles. The steam is very hot and it will continue to exhaust from the port for several seconds after opening. Do not touch the steam port after a steam cycle.
- Do not use a steam cycle with items such as wool, leather, silk, lingerie, foam products or electric blankets.
- Do not use steam cycles on new clothes without first washing.
- You may wish to soften your laundered fabrics or reduce the static electricity in them by using a dryer-applied fabric softener or an anti-static conditioner. We recommend you use either a fabric softener in the wash cycle, according to the manufacturer's instructions for those products, or try a dryer-added product for which the manufacturer gives written assurance on the package that their product can be safely used in your dryer. Service or performance problems caused by use of these products are the responsibility of the manufacturers of those products and are not covered under the warranty of this appliance.
- Never attempt to use the Steam Dewrinkle or Steam Refresh cycles without clothes in the drum. Additionally, it is highly recommended to select the appropriate load size for best results. Selecting large load cycles for small loads may result in wetting of clothes, and selecting small load cycles for large loads may result in poor dewrinkling performance.



WHEN NOT USING YOUR DRYER

- Grasp the plug firmly when disconnecting this appliance to avoid damage to the cord while pulling. Place the cord away from traffic areas so it will not be stepped on, tripped over or subjected to damage.
- Do not attempt to repair or replace any part of this appliance or attempt any servicing unless specifically recommended in this Owner's Manual or in published user-repair instructions that you understand and have the skills to carry out.
- Before discarding a dryer, or removing it from service, remove the dryer door to prevent children from hiding inside.
- Do not tamper with controls.



READ AND FOLLOW THIS SAFETY INFORMATION CAREFULLY.
SAVE THESE INSTRUCTIONS

About the dryer control panel.

ge.com

⚠ WARNING! To reduce the risk of fire, electric shock, or injury to persons, read the **IMPORTANT SAFETY INSTRUCTIONS** before operating this appliance.

Throughout this manual, features and appearance may vary from your model.

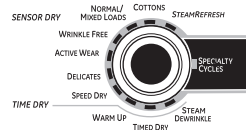
Quick Start

If the screen is dark, press the **POWER** button to “wake up” the display.

- 1 Press the **POWER** button.



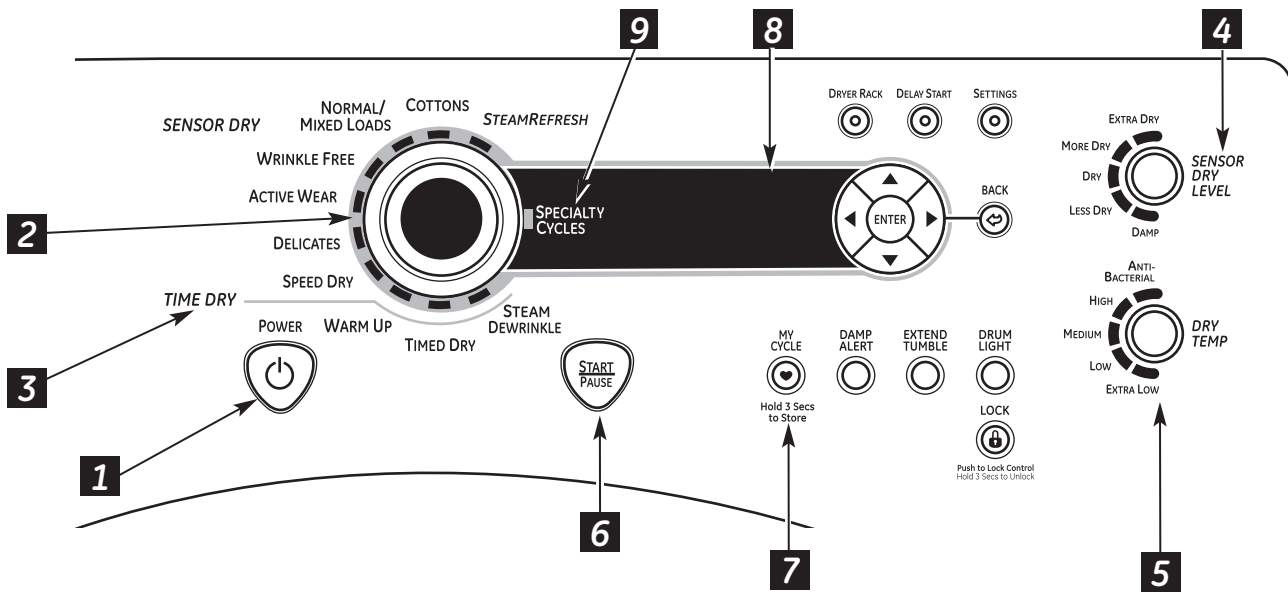
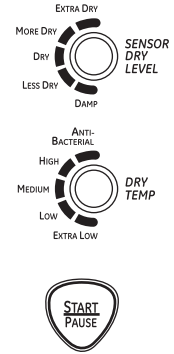
- 2 Select a cycle by turning the **Cycle Knob**.



- 3 If you selected a **SENSOR CYCLE** – just press the **START/PAUSE** button.



If you selected a **TIMED DRY CYCLE** – select your heat setting and the amount of time you want your items to dry by using the cursor buttons. Then press the **START/PAUSE** button.



- 1 **Power**
Press to “wake up” the display. If the display is active, press to turn the dryer off.

NOTE: Pressing **POWER** does not disconnect the appliance from the power supply.

About the dryer control panel.

2 Dry Cycles

The dry cycle controls the cycle time for the drying process. The chart below will help you match the dry setting with the loads.

Sensor Cycles

COTTONS	For cottons and most linens.
NORMAL/ MIXED LOAD	For loads consisting of cottons and poly-blends.
WRINKLE FREE	For wrinkle-free/easy care and permanent press items.
ACTIVE WEAR	Clothing worn for active sports exercise and some casual wear. Fabrics include new technology finishes and stretch fibers such as Spandex.
DELICATES	For lingerie and special-care fabrics.
SPEED DRY	For small loads that are needed in a hurry, such as sports or school uniforms. Can also be used if the previous cycle left some items damp, such as collars or waistbands.

Timed Dry Cycles

STEAM REFRESH	For slightly wrinkled dry garments. Significantly reduces wrinkles on 1–5 garments. Selecting a higher number of garments for the cycle (e.g., selecting 5-garment load for a 1-garment load) may result in excessive wetting of clothes. After the SteamRefresh Cycle, the unit will beep and display “Garments Ready” and “0:00.” If the unit is not turned off or if the door is not opened, the dryer will continue to tumble for 30 minutes. At the end of 30 minutes, it will display “0:00” and “Cycle Complete.” A single extremely light fabric item may need to have an additional item included in the steam refresh cycle to achieve optimum results.
STEAM DEWRINKLE	For use with larger loads than STEAM REFRESH. Ideal for loads left in dryer for an extended time. Selecting a larger cycle than needed (e.g., selecting Large Load for a half-full dryer) may result in excessive wetting of clothes.
WARM UP	Provides 10 minutes of warming time to warm up clothes.

My Cycle (on some models)

MY CYCLE	Press to use, create or modify custom dry cycles.
-----------------	---

3 Timed Dry

Use to set your own dry time. **TIMED DRY** is also recommended for small loads.

To use TIMED DRY:

1. Turn dry cycle dial to **TIMED DRY**.
2. Select the drying time by pressing the ▲ and ▼ buttons. You can increase the time in 10-minute increments up to 2½ hours.
3. Select the **DRY TEMP**.
4. Close the door.
5. Press **START/PAUSE**.

4 Sensor Dry Level

The sensor continuously monitors the amount of moisture in the load. When the moisture in your clothes reaches your selected dry level, the dryer will stop.

EXTRA DRY	Use for heavy-duty fabrics or items that should be very dry, such as towels.
MORE DRY	Use for heavy or mixed type of fabrics.
DRY	Use for normal dryness level suitable for most loads. This is the preferred cycle for energy saving.
LESS DRY	Use for lighter fabric (ideal for ironing).
DAMP	For leaving items partially damp.

5 Dry Temp

You can change the temperature of your dry cycle.

ANTI-BACTERIAL This option may only be used with **COTTONS** or **MIXED LOAD** cycles. This option reduces certain types of bacteria by 99.9%, including: *Staphylococcus aureus*, *Pseudomonas aeruginosa* and *Klebsiella pneumoniae**. The anti-bacterial process occurs when high heat is used during a portion of this drying cycle.

NOTE: Do not use this cycle on delicate fabrics.

* The Anti-Bacterial Cycle is Certified by NSF International (formerly National Sanitation Foundation) to NSF Protocol P154 Sanitization Performance of Residential Clothes Dryers.



NSF Protocol P154
Sanitization Performance of
Residential Clothes Dryers

HIGH	For regular to heavy cottons.
MEDIUM	For synthetics, blends and items labeled permanent press.
LOW	For delicates, synthetics and items labeled <i>Tumble Dry Low</i> .
EXTRA LOW	For lingerie and special-care fabrics.

6 START/PAUSE

Press to start a dry cycle. If the dryer is running, press it once and it will pause the dryer. Press it again to restart the dry cycle.

7 MY CYCLE *My Cycle (on some models)*

Set up your favorite combination of settings and save them here for one touch recall. These custom settings can be set while a cycle is in progress.

To store a MY CYCLE combination of settings:

1. Select your drying cycle.
2. Change **DRY TEMP** and **SENSOR DRY LEVEL** settings to fit your needs.
3. Select any drying **OPTIONS** you want.
4. Press and hold the **MY CYCLE** button for 3 seconds to store your selection. A beep will sound and the button will light up.

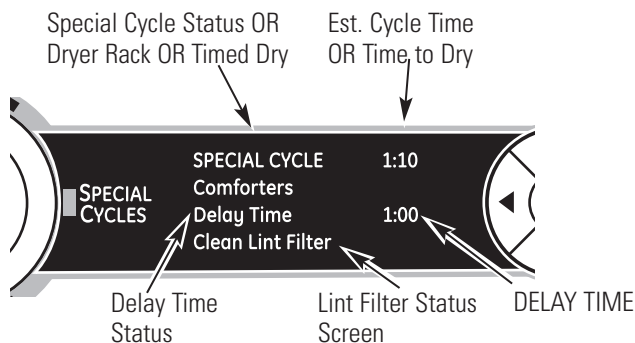
To recall your stored MY CYCLE combination:

Press the **MY CYCLE** button before drying a load. The light around the button will light up when **MY CYCLE** is selected.

To change your stored MY CYCLE combination:

Follow Steps 1-4 in "To store a MY CYCLE combination of settings."

8 Display



"CLEAN LINT FILTER" (message)

This message stays on for 15 minutes after the cycle finishes. **This message is only a reminder.**

About the dryer control panel.

9 Specialty Cycles

1. Turn the **CYCLE** knob to **SPECIAL CYCLES**. A list of cycle options will appear in the display.
2. Using the cursor buttons, select a **CATEGORY**.
3. Using the cursor buttons, select a **CYCLE**.
Press the **BACK** button to take you back to the **CATEGORIES**.
4. Press **ENTER** to select.
5. Press the **START/PAUSE** button.

SPECIALTY CYCLES include:

Garments

- Coats
- Hosiery/Bras (use mesh bag)
- Jeans
- Khakis

Bed and Bath

- Blankets (Cotton)
- Comforters
- Sheets
- Towels

Other Specialty

- Air Fluff
- Dryel
- Fleece
- Fragile Cotton
- Performance Fabrics
- Pet Bedding
- Play Clothes
- Sleeping Bags
- Rack Dry
- Throw Rugs

Washer Communicated Cycles

To turn on communication, press the **SETTINGS** button on the washer control panel. When "DRYER LINK" appears in the display, press **ENTER**. Using the arrow keys, select ON; then press **ENTER**.

When the washer cycle is completed, the washer will communicate with the dryer when any button on the control panel is touched or the door is opened.

The washer will display, "TRANSFERRING CYCLE INFORMATION TO THE DRYER" and the dryer will display, "RECEIVING CYCLE INFORMATION TO THE DRYER".

The dryer will only communicate with the washer if the dryer is not running a cycle.

If the washer starts a new cycle before the dryer has a chance to communicate with it, the information will be lost.

About cycle options.

NOTE: Not all features are available on all dryer models.

ge.com

EXTEND TUMBLE



Extend Tumble

Minimizes wrinkles by adding approximately 60 minutes of no-heat tumbling after clothes are dry. The beeper will sound every 2 minutes to remind you to remove the clothes. The **ESTIMATED TIME REMAINING** display will show **00**.

The light around the button will light up when **EXTEND TUMBLE** is on.

Extend Tumble is automatically selected for the SteamRefresh cycle and cannot be deselected. Dryer will beep and display "Garments Ready" when SteamRefresh is complete. The dryer will continue in Extend Tumble until the door is opened.

DAMP ALERT



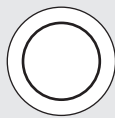
Damp Alert

This option causes the dryer to beep when clothes have dried to a damp level. Remove items that you wish to hang dry. The **DAMP ALERT** will only beep when this option is selected.

Removing clothes and hanging them when they are damp can reduce the need to iron some items.

The light around the button will light up when **DAMP ALERT** is on.

DRUM LIGHT



Drum Light

Press this button to turn on the light in the dryer.

Press the button again to turn the light off.

This only controls the light when the door is shut. **NOTE: The light will turn off by itself after one minute when the door is shut.**

When the door is opened, the light comes on automatically.

The light around the button will light up when **DRUM LIGHT** is on.

DELAY START



Delay Start

Use to delay the start of your dryer.

1. Choose your dry cycle and any options.
2. Press **DELAY START**. You can change the delay time in 1/2-hour increments, using the ▲ or ▼ arrow pads.
3. Press the **START/PAUSE** button to start the countdown.

The countdown time will be shown in the **ESTIMATED TIME REMAINING** display.

NOTES:

■ If the door is opened while the dryer is in **DELAY**, the countdown time will not restart unless the door is closed and **START/PAUSE** button has been pressed again.

■ You can delay the start of a dry cycle up to 24 hours.

The light around the button will light up when **DELAY START** is on.

LOCK



Lock

You can lock the controls to prevent any selections from being made. Or you can lock the controls after you have started a cycle.

Children cannot accidentally start the dryer by touching pads with this option selected.

To lock the dryer, press the **LOCK** button. To unlock the dryer, press and hold the **LOCK** button for 3 seconds.

The light around the **LOCK** button will light up when the controls are locked.

Even though the controls are locked, the **POWER** button is still active in case you have to turn the unit off.

Press to lock control.
Hold 3 seconds to unlock.

About cycle options.

NOTE: Not all features are available on all dryer models.

SETTINGS



Settings

Under the **SETTINGS** option, you can adjust the volume or the brightness of the display.

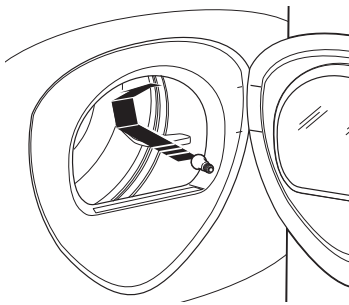
VOLUME

- End of Cycle (signal) volume can be set from **HIGH, MED, LOW** or **OFF**.
- Control Sounds volume can be set from **HIGH, MED, LOW** or **OFF**.

DISPLAY BRIGHTNESS can be set from **HIGH, MED** or **LOW**.

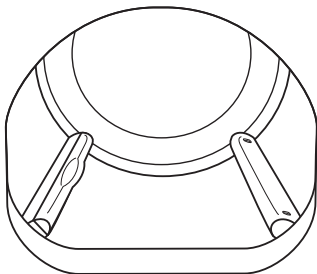
After you have made your selection, press **ENTER**.

About dryer features.



Drum Lamp

Before replacing the light bulb, be sure to unplug the dryer power cord or disconnect the dryer at the household distribution panel by removing the fuse or switching off the circuit breaker. Reach above dryer opening from inside the drum. Remove the bulb and replace with the same size bulb.



Built-In Rack Dry System

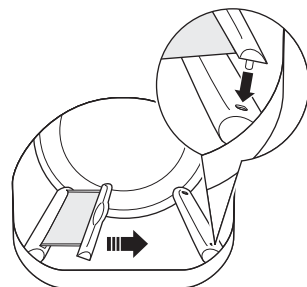
A handy drying rack may be used for drying items such as tennis shoes. Place items flat on the drying rack and block such items as wool sweaters and delicate fabrics. Dry with low heat.

To install the Built-In Rack Dry System

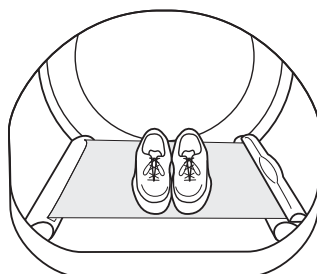
1. Make sure the drum of the dryer is oriented so the rack drying system is on the left side of the dryer.
2. Pull the drying rack screen out from the left side and engage the handle "posts" in the opposite baffle slots.
3. Place the garment on the rack and close the door.
4. Press the **DRYER RACK** button.
5. Select desired **TIME**.
6. Press the **START/PAUSE** button.

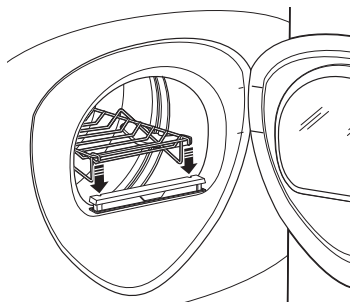
NOTE:

- Do not use this drying rack when there are other clothes in the dryer.
- Make sure to detach the drying rack at the end of the cycle and fully retract the screen back into the baffle.



Engage the handle posts





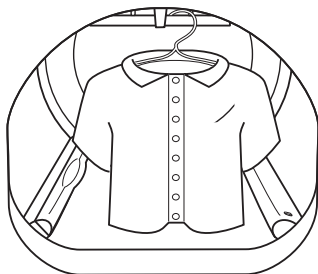
Drying Rack (Optional Accessory)

A handy drying rack may be used for drying delicate items such as washable sweaters. Place items flat on the drying rack and block such items as wool sweaters and delicate fabrics. Dry with low heat.

To install the drying rack, pull up the lint filter slightly. Insert the drying rack into the slots, then push the filter back down.

NOTE:

- The drying rack must be used with the **TIMED DRY** or **RACK DRY** (on some models) cycles.
- Do not use this drying rack when there are other clothes in the dryer.



To Use the Built-In Hook for Hanging Garments

1. Make sure the drum of the dryer is oriented so the hook is on the top center of the dryer.
2. Using your finger, pull the hook out of the baffle.
3. Hang the garment on a hanger, hang the hanger on the hook and close the door.
4. Press the **DRYER RACK** button.
5. Select the desired time.
6. Press the **START/PAUSE** button.

Reverse Tumble™

All Profile front-load matching dryers are equipped with the Reverse Tumble™ feature, as part of the Duo Dry Plus system™. By reversing the direction of drum rotation during the drying cycle, your dryer will tangle the clothes load less, dry more evenly and improve drying times. Typical loads such as bed and bath mixed loads, where sheets, towels and pillow cases are laundered together, benefit from this capability. When the dryer reverses direction, there will be a slight pause and sound change. This is normal. All dryer cycles utilize this feature, except when the rack dry option is selected, in which case the drum does not tumble.

Using the dryer.

Always follow fabric manufacturer's care label when laundering.

Sorting and Loading Hints

As a general rule, if clothes are sorted properly for the washer, they are sorted properly for the dryer. Try also to sort items according to size. For example, do not dry a sheet with socks or other small items.

Do not add fabric softener sheets once the load has become warm. They may cause fabric softener stains. Bounce® Fabric Conditioner Dryer Sheets have

been approved for use in this dryer when used in accordance with the manufacturer's instructions.

See below for lint filter cleaning instructions.





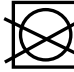









Do not overload. This wastes energy and causes wrinkling.

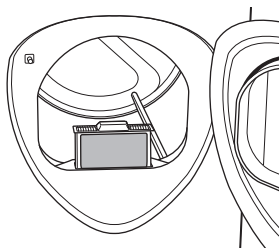
Do not dry the following items: fiberglass items, woollens, rubber-coated items, plastics, items with plastic trim and foam-filled items.

Fabric Care Labels

Below are fabric care label "symbols" that affect the clothing you will be laundering.

Dry Labels

Tumble dry	 Dry	 Normal	 Permanent Press/ wrinkle resistant	 Gentle/ delicate	 Do not tumble dry	 Do not dry (used with do not wash)
Heat setting	 High	 Medium	 Low	 No heat/air		
Special instructions	 Line dry/ hang to dry	 Drip dry	 Dry flat	 In the shade		



Care and Cleaning of the Dryer

Dryer Interior and Duct: The interior of the appliance and exhaust duct should be cleaned once a year by qualified service personnel.

The Exterior: Wipe or dust any spills or washing compounds with a damp cloth. Dryer control panel and finishes may be damaged by some laundry pretreatment soil and stain remover products. Apply these products away from the dryer. The fabric may then be washed and dried normally. Damage to your dryer caused by these products is not covered by your warranty.

Do not touch the surface or the display with sharp objects.

The Lint Filter: Clean the lint filter before each use. Remove by pulling straight up. Run your fingers across the filter. A waxy buildup may form on the lint filter from using dryer-added fabric softener sheets. To remove this buildup, wash the lint screen in warm, soapy water. Dry

thoroughly and replace. Do not operate the dryer without the lint filter in place.

Vacuum the lint from the dryer lint filter if you notice a change in dryer performance.

Stainless Steel: To clean stainless steel surfaces, use a damp cloth with a mild, nonabrasive cleaner suitable for stainless steel surfaces. Remove the cleaner residue, and then dry with a clean cloth.

The stainless steel used to make the dryer drum provides the highest reliability available in a GE dryer. If the dryer drum should be scratched or dented during normal use, the drum will not rust or corrode. These surface blemishes will not affect the function or durability of the drum.

The Exhaust Hood: Check with a mirror that the inside flaps of the hood move freely when operating. Make sure that there is no wildlife (birds, insects, etc.) nesting inside the duct or hood.

Installation Instructions

Dryer

DPVH890 and UPVH890

Questions? Call 800.GE.CARES (800.432.2737) or visit our Web site at: ge.com
In Canada, call 1.800.561.3344 or visit geappliances.ca

BEFORE YOU BEGIN

Read these instructions completely and carefully.

- **IMPORTANT** – Save these instructions for local electrical inspector's use.
- **IMPORTANT** – Observe all governing codes and ordinances.
- Install the clothes dryer according to the manufacturer's instructions and local codes.
- **Note to Installer** – Be sure to leave these instructions with the Consumer.
- **Note to Consumer** – Keep these instructions for future reference.
- Clothes dryer installation must be performed by a qualified installer.
- This dryer **must** be exhausted to the outdoors.
- Before the old dryer is removed from service or discarded, remove the dryer door.
- Service information and the wiring diagram are located in the control console.
- Do not allow children on or in the appliance. Close supervision of children is necessary when the appliance is used near children.
- Proper installation is the responsibility of the installer.
- Product failure due to improper installation is not covered under the Warranty.
- To reduce the risk of severe injury or death, follow all installation instructions.

FOR YOUR SAFETY:

⚠ WARNING – Risk of Fire

- Use only rigid metal or flexible metal 4-inch diameter ductwork for exhausting to the outdoors. Never use plastic or other combustible easy-to-puncture ductwork.
- Do not install a clothes dryer with flexible plastic venting materials. If flexible metal (foil type) duct is installed, it must be of a specific type identified by the appliance manufacturer as suitable for use with clothes dryers. Flexible venting materials are known to collapse, be easily crushed, and trap lint. These conditions will obstruct clothes dryer airflow and increase the risk of fire.
- This appliance must be properly grounded and installed as described in these instructions.
- Do not install or store appliance in an area where it will be exposed to water and/or weather.
- The National Fuel Gas Code restricts installations of gas appliances in garages. They must be 18 inches off the ground and protected by a barrier from vehicles.
- Install the dryer where the temperature is above 50°F for satisfactory operation of the dryer control system.

FOR GAS MODELS ONLY:

NOTE: Installation and service of this dryer must be performed by a qualified installer, service agency or the gas supplier.

In the Commonwealth of Massachusetts:

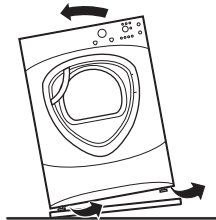
- This product must be installed by a licensed plumber or gas fitter.
- When using ball-type gas shut-off valves, they shall be T-handle-type.
- A flexible gas connector, when used, must not exceed 3 feet.

Installation Instructions

UNPACKING YOUR DRYER

Tilt the dryer sideways and remove the foam shipping pads by pulling at the sides and breaking them away from the dryer legs. Be sure to remove all of the foam pieces around the legs.

Remove the bag containing the literature and serial cable.



LOCATION OF YOUR DRYER

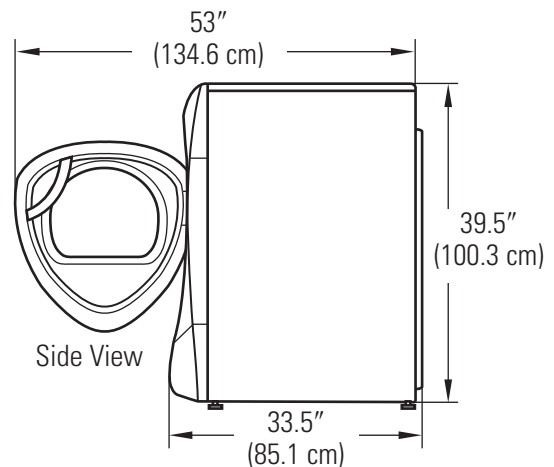
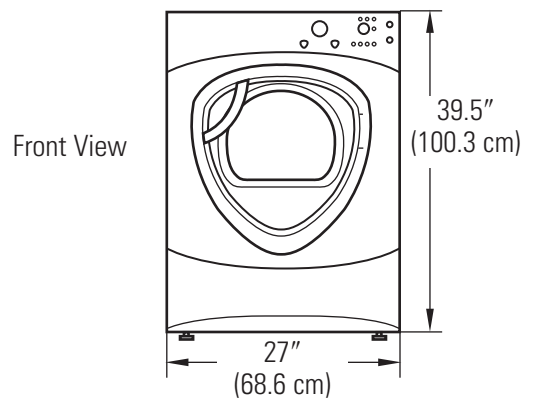
MINIMUM CLEARANCE OTHER THAN ALCOVE OR CLOSET INSTALLATION

Minimum clearance to combustible surfaces and for air openings are:

- 0 inch clearance both sides
- 1 inch front
- 3 inches rear

Consideration **must** be given to provide adequate clearance for proper operation and service.

DRYER DIMENSIONS



Installation Instructions

REQUIREMENTS FOR ALCOVE OR CLOSET INSTALLATION

- Your dryer is approved for installation in an alcove or closet, as stated on a label on the dryer back.
- The dryer MUST be vented to the outdoors. See the EXHAUSTING THE DRYER section.
- Minimum clearance between dryer cabinet and adjacent walls or other surfaces is:
 - 0" either side
 - 3" front and rear
- Minimum vertical space from floor to overhead shelves, cabinets, ceilings, etc., is 52".
- Closet doors must be louvered or otherwise ventilated and have at least 60 square inches of open area equally distributed. If the closet contains both a washer and a dryer, doors must contain a minimum of 120 square inches of open area equally distributed.
- The closet should be vented to the outdoors to prevent gas pocketing in case of gas in the supply line.
- No other fuel-burning appliance shall be installed in the same closet with the dryer (gas models only).

NOTE: WHEN THE EXHAUST DUCT IS LOCATED AT THE REAR OF THE DRYER, MINIMUM CLEARANCE FROM THE WALL IS 5.5 INCHES.

BATHROOM OR BEDROOM INSTALLATION

- The dryer MUST be vented to the outdoors. See EXHAUSTING THE DRYER.
- The installation must conform with local codes or, in the absence of local codes, with the NATIONAL ELECTRICAL CODE, ANSI/NFPA NO. 70 (for electric dryers) or NATIONAL FUEL GAS CODE, ANSI Z223 (for gas dryers).

MOBILE OR MANUFACTURED HOME INSTALLATION

- The installation must conform to the MANUFACTURED HOME CONSTRUCTION & SAFETY STANDARD, TITLE 24, PART 32-80 or, when such standard is not applicable, with AMERICAN NATIONAL STANDARD FOR MOBILE HOME, NO. 501B.
- The dryer MUST be vented to the outdoors with the termination securely fastened to the mobile home structure. (See EXHAUSTING THE DRYER.)
- The vent MUST NOT be terminated beneath a mobile or manufactured home.
- The vent duct material MUST BE METAL.
- FOR GAS MODELS ONLY: KIT 14-D346-33 MUST be used to attach the dryer securely to the structure.
- FOR GAS MODELS ONLY: The vent MUST NOT be connected to any other duct, vent or chimney.
- Do not use sheet metal screws or other refastening devices which extend into the interior of the exhaust vent.
- Provide an opening with a free area of at least 25 sq. in. for introduction of outside air into the dryer room.

Installation Instructions

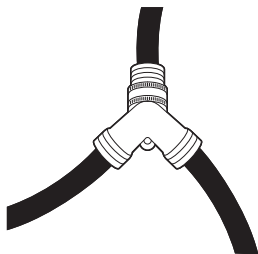
CONNECTING INLET HOSES

CONNECTING INLET HOSES

To produce steam, the dryer must connect to the cold water supply. Since the washer must also connect to the cold water, a "Y" connector is inserted to allow both inlet hoses to make that connection at the same time.

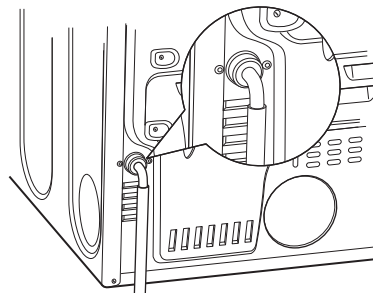
NOTE: Use the new inlet hoses provided; never use old hoses.

1. Turn the cold water faucet off. Remove the washer inlet hose from the washer fill valve connector (cold).
2. Ensure the rubber flat washer is in place and screw the female coupling of the short hose onto the washer fill valve connector. Tighten by hand until firmly seated.
3. Attach the female end of the "Y" connector to the male coupling of the short hose. Ensure the rubber flat washer is in place. Tighten by hand until firmly seated.



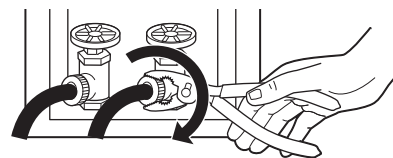
4. Insert the filter screen in the coupling of the **washer's** inlet hose. If a rubber flat washer is already in place remove it before installing the filter screen. Attach this coupling to one male end of the "Y" connector. Tighten by hand until firmly seated.
5. Ensure the rubber flat washer is in place and attach the **dryer's** long inlet hose to the other male end of the "Y" connector. Tighten by hand until firmly seated.
6. Ensure the rubber flat washer is in place and attach the other end of the **dryer's** long inlet hose to the fill valve connector at the bottom of the dryer back panel. Tighten by hand until firmly seated.

CONNECTING INLET HOSES (cont.)



7. Using pliers, tighten all the couplings with an additional two-thirds turn.

NOTE: Do not overtighten. Damage to the couplings may result.



8. Turn the water faucet on.
9. Check for leaks around the "Y" connector, faucet and hose couplings.

WATER SUPPLY REQUIREMENTS

Hot and cold water faucets **MUST** be installed within 42 in. (107 cm) of your washer's water inlet. The faucets **MUST** be 3/4 in. (1.9 cm) garden hose-type so inlet hoses can be connected. Water pressure **MUST** be between 10 and 120 pounds per square inch. Your water department can advise you of your water pressure.

NOTE: A water softener is recommended to reduce buildup of scale inside the steam generator if the home water supply is very hard.

Installation Instructions

CONNECTING A GAS DRYER (skip for electric dryers)

TOOLS YOU WILL NEED

- 10" Adjustable wrenches (2)
- Flat-blade screwdriver
- 8" Pipe wrench
- Level
- Slip-joint pliers

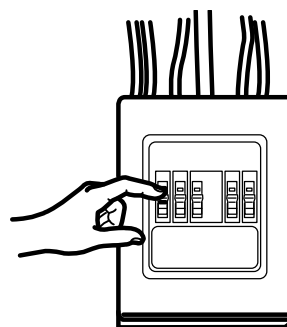
MATERIALS YOU WILL NEED

- 4" dia. metal elbow
- 4" dia. flexible metal duct (if needed)
- Pipe compound
- Gloves
- Flexible gas line connector
- Soap solution for leak detection
- Duct clamps (2) or Spring clamps (2)
- Safety glasses
- Exhaust hood
- 4" dia. metal duct (recommended)
- Duct tape

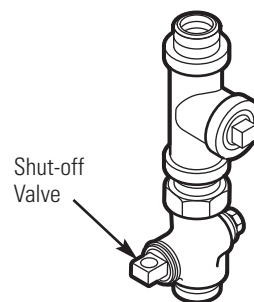
FOR YOUR SAFETY:

⚠ WARNING

Before beginning the installation, turn off the circuit breaker(s) or remove the dryer's circuit fuse(s) at the electrical box. Be sure the dryer cord is unplugged from the wall.



Turn the dryer's gas shut-off valve in the supply line to the OFF position.



Disconnect and discard old flexible gas connector and ducting material.



Installation Instructions

CONNECTING A GAS DRYER (cont.)

GAS REQUIREMENTS

⚠ WARNING

- Installation must conform to local codes and ordinances, or in their absence, the NATIONAL FUEL GAS CODE, ANSI Z223.
- This gas dryer is equipped with a Valve and Burner Assembly for use only with natural gas. Using conversion kit 14-A048, your local service organization can convert this dryer for use with propane (LP) gas. ALL CONVERSIONS MUST BE MADE BY PROPERLY TRAINED AND QUALIFIED PERSONNEL AND IN ACCORDANCE WITH LOCAL CODES AND ORDINANCE REQUIREMENTS.
- The dryer must be disconnected from the gas supply piping system during any pressure testing of that system at a test pressure in excess of 0.5 PSI (3.4 KPa).
- The dryer must be isolated from the gas supply piping system by closing the equipment shut-off valve during any pressure testing of the gas supply piping of test pressure equal to or less than 0.5 PSI (3.4KPa).

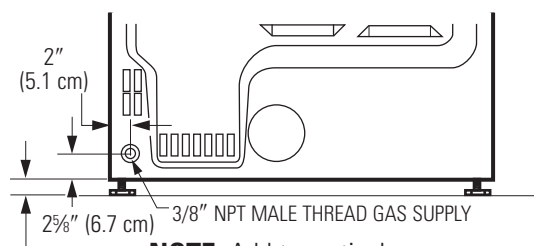
GAS SUPPLY

- A 1/8" National Pipe Taper thread plugged tapping, accessible for test gauge connection, must be installed immediately upstream of the gas supply connection to the dryer. Contact your local gas utility should you have questions on the installation of the plugged tapping.
- Supply line is to be 1/2" rigid pipe and equipped with an accessible shutoff within 6 feet of, and in the same room with, the dryer.
- Use pipe thread compound appropriate for natural or LP gas or use Teflon® tape.
- Connect flexible metal connector to dryer and gas supply.

IN THE COMMONWEALTH OF MASSACHUSETTS

- This product must be installed by a licensed plumber or gas fitter.
- When using ball-type gas shut-off valves, they shall be the T-handle type.
- A flexible gas connector, when used, must not exceed 3 feet.

DRYER GAS SUPPLY CONNECTION

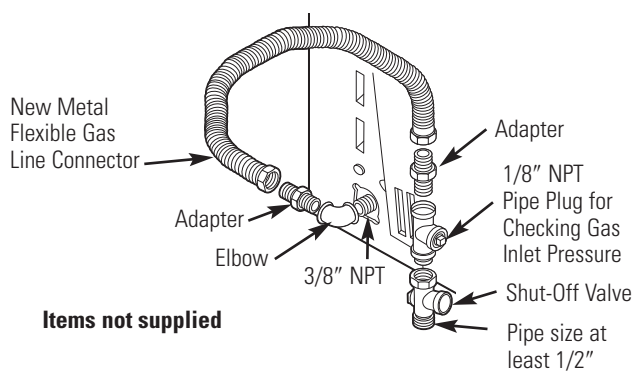


NOTE: Add to vertical dimension the distance between cabinet bottom to floor.

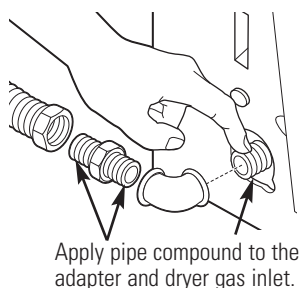
Installation Instructions

CONNECTING THE DRYER TO THE GAS SUPPLY

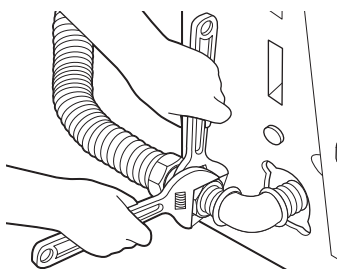
- A** Install a female 3/8" NPT elbow at the end of the dryer gas inlet.
Install a 3/8" flare union adapter to the female elbow.
- IMPORTANT:** Use a pipe wrench to securely hold on to the end of the dryer gas inlet to prevent twisting the inlet.
- NOTE:** Apply pipe compound or Teflon® tape to the threads of the adapter and dryer gas inlet.



- B** Attach the flexible metal gas line connector to the adapter.

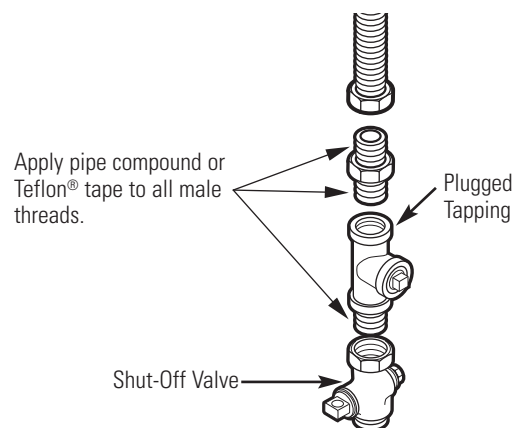


- C** Tighten the flexible gas line connection, using two adjustable wrenches.

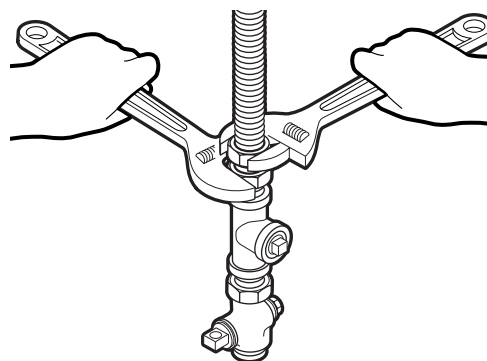


CONNECTING THE DRYER TO THE GAS SUPPLY (cont.)

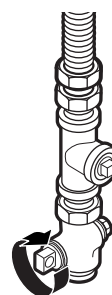
- D** Install a 1/8" NPT plugged tapping to the dryer gas line shut-off valve for checking gas inlet pressure.
- Install a flare union adapter to the plugged tapping.
- NOTE:** Apply pipe compound or Teflon® tape to the threads of the adapter and plugged tapping.



- E** Tighten all connections, using two adjustable wrenches. **Do not overtighten.**



- F** Open the gas shut-off valve.



Installation Instructions

CONNECTING A GAS DRYER (cont.)

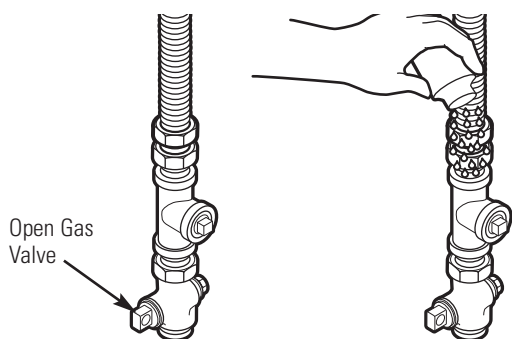
TEST FOR LEAKS

⚠ WARNING – Never use an open flame to test for gas leaks.

Check all connections for leaks with soapy solution or equivalent.

Apply a soap solution. The leak test solution must not contain ammonia, which could cause damage to the brass fittings.

If leaks are found, close the valve, retighten the joint and repeat the soap test.



ELECTRICAL CONNECTION INFORMATION FOR GAS DRYERS

⚠ WARNING – To reduce the risk of fire, electrical shock and personal injury:

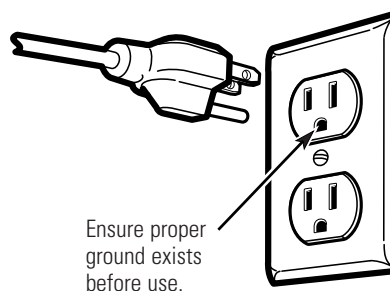
- Do not use an extension cord or an adapter plug with this appliance.
- The dryer must be electrically grounded in accordance with local codes and ordinances, or in the absence of local codes, in accordance with the NATIONAL ELECTRICAL CODE, ANSI/NFPA NO. 70.

ELECTRICAL REQUIREMENTS FOR GAS DRYERS

This appliance must be supplied with 120V, 60Hz, and connected to a properly grounded branch circuit, protected by a 15- or 20-amp circuit breaker or time-delay fuse.

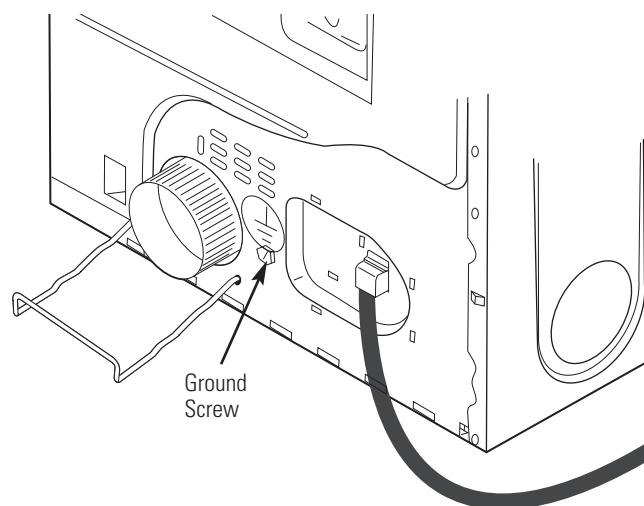
If electrical supply provided does not meet the above specifications, it is recommended that a licensed electrician install an approved outlet.

⚠ WARNING – This dryer is equipped with a three-prong (grounding) plug for your protection against shock hazard and should be plugged directly into a properly grounded three-prong receptacle. Do not cut or remove the grounding terminal from this plug.



If local codes permit, an external ground wire (not provided), which meets local codes, may be added by attaching to the green ground screw on the rear of the dryer, and to an alternate established ground.

Ensure proper ground exists before use.



Installation Instructions

CONNECTING AN ELECTRIC DRYER (skip for gas dryers)

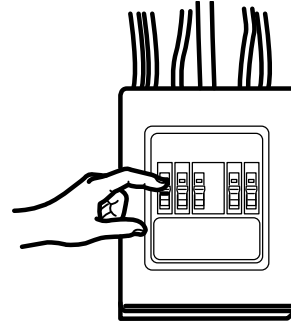
TOOLS YOU WILL NEED

- Slip-joint pliers
- Phillips screwdriver
- Flat-blade screwdriver
- Level

FOR YOUR SAFETY:

⚠ WARNING

Before making the electrical connection, turn off the circuit breaker(s) or remove the dryer's circuit fuse(s) at the electrical box. Be sure the dryer cord is unplugged from the wall. NEVER LEAVE THE ACCESS COVER OFF THE TERMINAL BLOCK.



MATERIALS YOU WILL NEED

- 4" dia. metal elbow
- Gloves
- 3/4" strain relief (UL recognized)
- Exhaust hood
- 4" duct clamps (2) or 4" spring clamps (2)
- Duct tape
- Safety glasses
- Dryer power cord kit (not provided with dryer)
UL rated 120/240V, 30A with 3 or 4 prongs. Identify the plug type as per the house receptacle before purchasing line cord.
- 4" dia. metal duct (recommended)
- 4" dia. flexible metal duct (if needed)

ELECTRICAL CONNECTION INFORMATION FOR ELECTRIC DRYERS

⚠ WARNING – To reduce the risk of fire, electrical shock and personal injury:

- Do not use an extension cord or an adapter plug with this appliance.
- The dryer must be electrically grounded in accordance with local codes and ordinances or, in the absence of local codes, in accordance with the NATIONAL ELECTRICAL CODE, ANSI/NFPA NO. 70.

Installation Instructions

CONNECTING AN ELECTRIC DRYER (cont.)

ELECTRICAL REQUIREMENTS FOR ELECTRIC DRYERS

This dryer must be connected to an individual branch circuit, protected by the required time-delay fuses or circuit breakers. A three- or four-wire, single-phase, 120/240V, 60Hz, 30-amp circuit is required.

If the electric supply does not meet the above specifications, then call a licensed electrician.

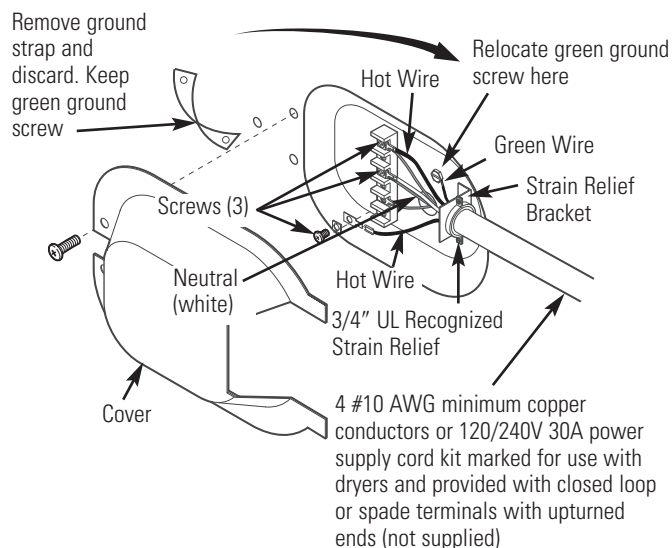
GROUNDING INSTRUCTIONS

This dryer must be connected to a grounded metal, permanent wiring system, or an equipment-grounding conductor must be run with the circuit conductors and connected to the equipment grounding terminal on the appliance.

CONNECTING DRYER USING 4-WIRE CONNECTION (MUST BE USED FOR MOBILE HOME INSTALLATION)

NOTE: Since January 1, 1996, the National Electrical Code requires that new constructions utilize a 4-wire connection to an electric dryer. A 4-wire cord must also be used where local codes do not permit grounding through the neutral.

3-wire connection is NOT for use on new construction.



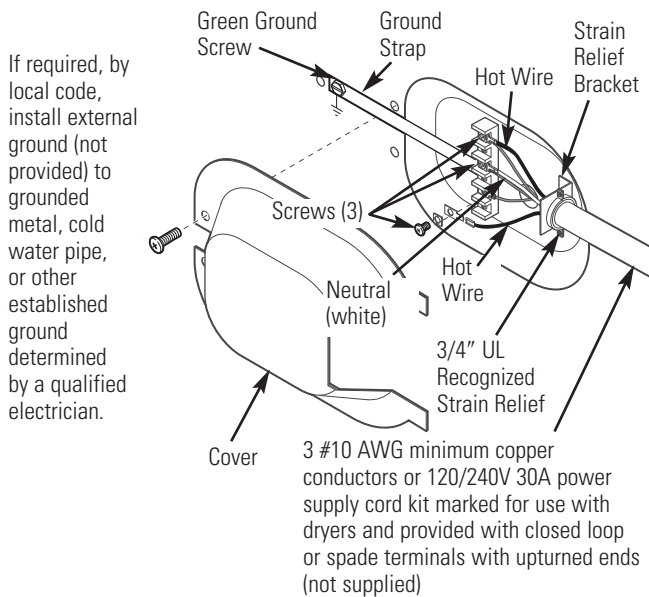
CONNECTING DRYER USING 4-WIRE CONNECTION (MUST BE USED FOR MOBILE HOME INSTALLATION) (cont.)

1. Turn off the circuit breaker(s) (30 amp) or remove the dryer's circuit fuse at the electrical box.
2. Be sure the dryer cord is unplugged from the wall receptacle.
3. Remove the power cord cover located at the lower back.
4. Remove and discard ground strap. Keep the green ground screw for Step 7.
5. Install 3/4 in. UL-recognized strain relief to power cord entry hole. Bring power cord through strain relief.
6. Connect power cord as follows:
 - A. Connect the 2 hot lines to the outer screws of the terminal block (marked L1 and L2).
 - B. Connect the neutral (white) line to the center of the terminal block (marked N).
7. Attach ground wire of power cord with the green ground screw (hole above strain relief bracket). Tighten all terminal block screws (3) completely.
8. Properly secure power cord to strain relief.
9. Reinstall the cover.

⚠ WARNING – NEVER LEAVE THE COVER OFF OF THE TERMINAL BLOCK.

Installation Instructions

CONNECTING DRYER USING 3-WIRE CONNECTION



1. Turn off the circuit breaker(s) (30 amp) or remove the dryer's circuit fuse at the electrical box.
2. Be sure the dryer cord is unplugged from the wall receptacle.
3. Remove the power cord cover located at the lower back.
4. Install 3/4-in. UL-recognized strain relief to power cord entry hole. Bring power cord through strain relief.
5. Connect power cord as follows:
 - A. Connect the 2 hot lines to the outer screws of the terminal block (marked L1 and L2).
 - B. Connect the neutral (white) line to the center of the terminal block (marked N).
6. Be sure ground strap is connected to neutral (center) terminal of block and to green ground screw on cabinet rear. Tighten all terminal block screws (3) completely.
7. Properly secure power cord to strain relief.
8. Reinstall the cover.

⚠ WARNING – NEVER LEAVE THE COVER OFF OF THE TERMINAL BLOCK.

Installation Instructions

EXHAUSTING THE DRYER

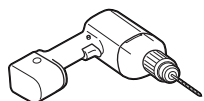
⚠ WARNING – To reduce the risk of fire or personal injury:

- This dryer must be exhausted to the outdoors.
- Use only metal duct.
- Do not terminate exhaust into a chimney, any gas vent, under an enclosed floor, in a crawl space, wall, ceiling, into an attic or other concealed space of a building. The accumulated lint could create a fire hazard.
- Provide an access for inspection and cleaning of the exhaust system, especially at turns. Inspect and clean at least once a year.
- Never terminate the exhaust into a common duct with a kitchen exhaust. A combination of lint and grease could create a fire hazard.
- Do not obstruct incoming or exhausted air.
- This dryer comes ready for rear exhausting. If space is limited, use the instructions on pages 28–30 to exhaust directly from the sides or bottom of the cabinet.

TOOLS AND MATERIALS YOU WILL NEED TO INSTALL EXHAUST DUCT



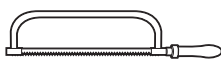
- Phillips-head screwdriver



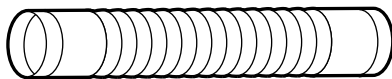
- Drill with 1/8" drill bit (for bottom venting)



- Duct tape or duct clamp



- Hacksaw



- Rigid or UL-listed flexible metal 4" (10.2 cm) duct



- Vent hood

EXHAUST SYSTEM CHECKLIST

HOOD OR WALL CAP

- Terminate in a manner to prevent back drafts or entry of birds or other wildlife.
- Termination should present minimal resistance to the exhaust airflow and should require little or no maintenance to prevent clogging.
- Never install a screen in or over the exhaust duct.
- Wall caps must be installed at least 12" above ground level or any other obstruction with the opening pointed down.
- If roof vents or louvered plenums are used, they must be equivalent to a 4" dampened wall cap in regard to resistance to airflow, prevention of back drafts and maintenance required to prevent clogging.

SEPARATION OF TURNS

- For best performance, separate all turns by at least 4 ft. of straight duct, including distance between last turn and dampened wall cap.

SEALING OF JOINTS

- All joints should be tight to avoid leaks. The male end of each section of duct must point away from the dryer.
- Do not assemble the ductwork with fasteners that extend into the duct. They will serve as a collection point for lint.
- Duct joints should be made air- and moisture-tight by wrapping the overlapped joints with duct tape or aluminum tape.
- Horizontal runs should slope down towards the outdoors 1/4" per foot.

INSULATION

- Ductwork that runs through an unheated area or is near air conditioning should be insulated to reduce condensation and lint buildup.

Installation Instructions

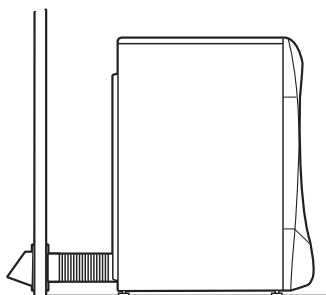
USING FLEXIBLE METAL DUCT FOR TRANSITION VENTING

Rigid or semi-rigid metal ducting is recommended for use as transition ducting between the dryer and the wall. In special installations when it is impossible to make a connection with the above recommendations, then a UL-listed flexible metal transition duct may be used between the dryer and wall connection only. The use of this ducting will affect dry time. Only those foil-type flexible ducts, if any, specifically identified for use with the appliance by the manufacturer should be used. In the United States, the duct must comply with the Outline for Clothes Dryer Transition Duct, Subject 2158A.

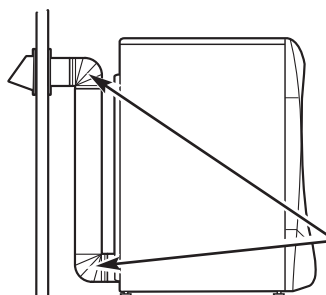
If flexible metal transition duct is necessary, the following directions must be followed:

- Use the shortest length possible. The total length of flexible metal duct shall not exceed 2.4 m.
- Stretch the duct to its maximum length.
- Do not crush or collapse.
- Never use flexible metal ducting inside the wall or inside the dryer.
- Avoid resting the duct on sharp objects.
- Venting must conform to local building codes.

FOR TRANSITION VENTING (DRYER TO WALL), DO:

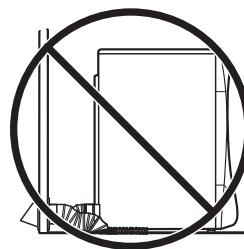


- **DO** cut duct as short as possible and install straight into wall.

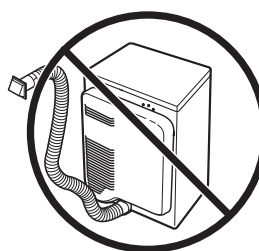


- **DO** use elbows when turns are necessary.

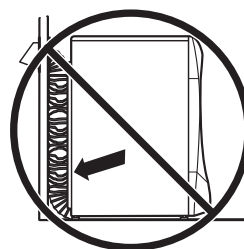
DO NOT:



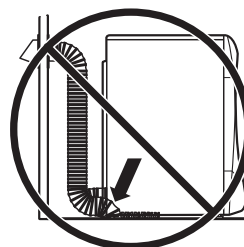
- **DO NOT** bend or collapse ducting. Use elbows if turns are necessary.



- **DO NOT** use excessive exhaust length. Cut duct as short as possible.



- **DO NOT** crush duct against the wall.



- **DO NOT** set dryer on duct.

Installation Instructions

EXHAUSTING THE DRYER (cont.)

⚠ WARNING – USE ONLY METAL 4" DUCT. DO NOT USE DUCT LONGER THAN SPECIFIED IN THE EXHAUST LENGTH TABLE.

Using exhaust longer than specified length will:

- Increase the drying times and the energy cost.
- Reduce the dryer life.
- Accumulate lint, creating a potential fire hazard.

The correct exhaust installation is YOUR RESPONSIBILITY.

Problems due to incorrect installation are not covered by the warranty.

The MAXIMUM ALLOWABLE length of the exhaust system depends upon the type of duct, number of turns, the type of exhaust hood (wall cap) and all conditions noted below. Both rigid and flexible metal duct are shown in the table below.

EXHAUST LENGTH

RECOMMENDED MAXIMUM LENGTH	
Exhaust Hood Types	
Recommended	Use only for short-run installations

No. of 90° Elbows	Rigid Metal	Flexible Metal	Rigid Metal	Flexible Metal
0	150 Feet	55 Feet	125 Feet	45 Feet
1	135 Feet	52 Feet	115 Feet	42 Feet
2	125 Feet	49 Feet	105 Feet	39 Feet
3	115 Feet	46 Feet	95 Feet	36 Feet
4	105 Feet	43 Feet	85 Feet	33 Feet
5	95 Feet	40 Feet	75 Feet	30 Feet

If using flexible metal duct, please refer to page 25.

EXHAUST SYSTEM CHECKLIST HOOD OR WALL CAP

- Terminate in a manner to prevent back drafts or entry of birds or other wildlife.
- Termination should present minimal resistance to the exhaust airflow and should require little or no maintenance to prevent clogging.
- **Never** install a screen in or over the exhaust duct. This could cause lint buildup.
- Wall caps must be installed at least 12" above ground level or any other obstruction with the opening pointed down.
- If roof vents or louvered plenums are used, they must be equivalent to a 4" dampened wall cap in regard to resistance to airflow, prevention of back drafts and maintenance required to prevent clogging.

SEPARATION OF TURNS

For best performance, separate all turns by at least 4 ft. of straight duct, including the distance between the last turn and the exhaust hood.

URNS OTHER THAN 90°

- One turn of 45° or less may be ignored.
- Two 45° turns should be treated as one 90° turn.
- Each turn over 45° should be treated as one 90° turn.

SEALING OF JOINTS

- All joints should be tight to avoid leaks. The male end of each section of duct must point away from the dryer.
- Do not assemble the ductwork with fasteners that extend into the duct. They will serve as a collection point for lint.
- Duct joints can be made air- and moisture-tight by wrapping the overlapped joints with duct tape.
- Horizontal runs should slope down toward the outdoors 1/2" per foot.

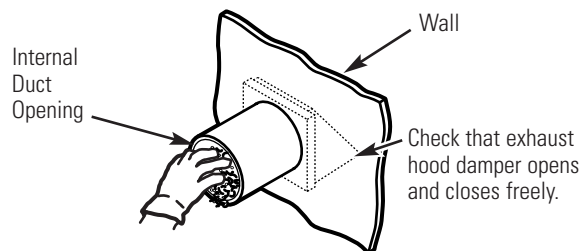
INSULATION

Ductwork that runs through an unheated area or is near air conditioning should be insulated to reduce condensation and lint buildup.

Installation Instructions

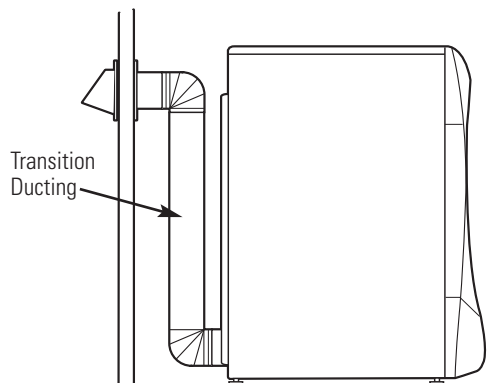
BEFORE YOU BEGIN

Remove any lint from the wall exhaust opening.



RECOMMENDED CONFIGURATION TO MINIMIZE EXHAUST BLOCKAGE

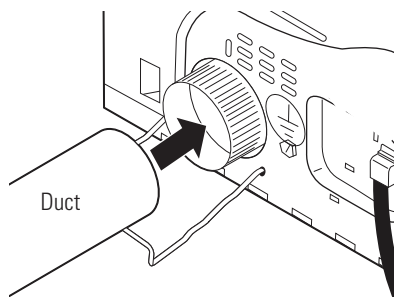
Using duct elbows will prevent duct kinking and collapsing.



STANDARD REAR EXHAUST

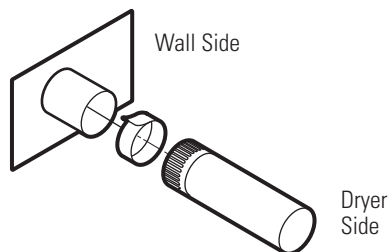
We recommend that you install your dryer before installing your washer. This will permit direct access for easier exhaust connection.

Slide the end of the exhaust duct on the back of the dryer and secure with duct tape or a hose clamp.



NOTE: We strongly recommend using rigid metal exhaust duct. If using semi-rigid metal duct, cut it to the proper length and avoid bunching of the duct behind the dryer.

- For straight-line installation, connect the dryer exhaust to the wall, using duct tape.



Installation Instructions

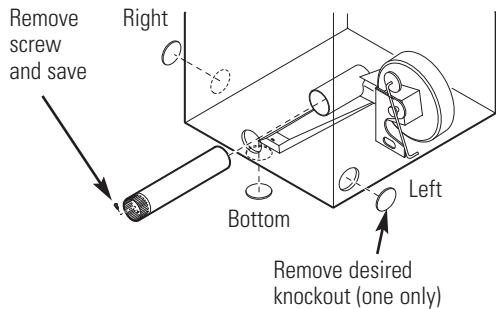
EXHAUSTING THE DRYER (cont.)

SIDE VENTING:

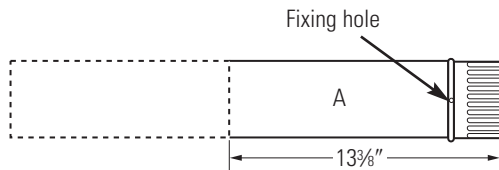
Dryer Exhaust to right of cabinet for Electric models only.

Dryer Exhaust to left of cabinet for Gas and Electric models.

⚠ WARNING – BEFORE PERFORMING THIS EXHAUST INSTALLATION, BE SURE TO DISCONNECT THE DRYER FROM ITS ELECTRICAL SUPPLY. PROTECT YOUR HANDS AND ARMS FROM SHARP EDGES WHEN WORKING INSIDE THE CABINET. BE SURE TO WEAR GLOVES.

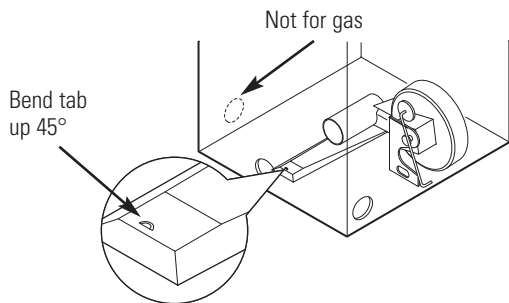


Detach and remove the bottom, right or left side knockout as desired. Remove the screw inside the dryer exhaust duct and save. Pull the duct out of the dryer.



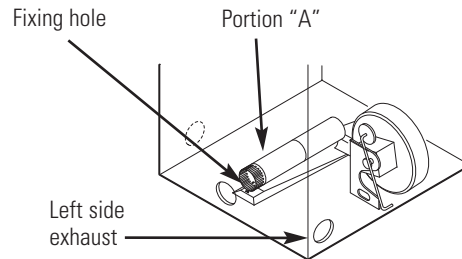
Cut the duct as shown and keep portion A.

TAB LOCATION



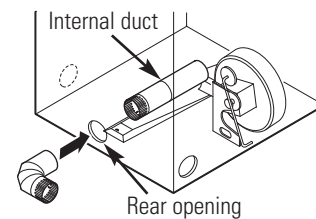
Through the rear opening, locate the tab in the middle of the appliance base. Lift the tab to about 45°, using a flat-blade screwdriver.

ADDING A NEW DUCT

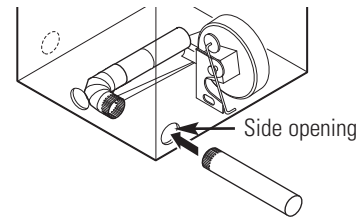


Reconnect the cut portion (A) of the duct to the blower housing. Make sure that the shortened duct is aligned with the tab in the base. Use the screw saved previously to secure the duct in place through the tab on the appliance base.

ADDING ELBOW AND DUCT FOR EXHAUST TO LEFT OR RIGHT SIDE OF CABINET



- Insert the 4" elbow through the rear opening and connect the elbow to the dryer internal duct.



- Insert the 4" duct through the side opening and connect it to the elbow.

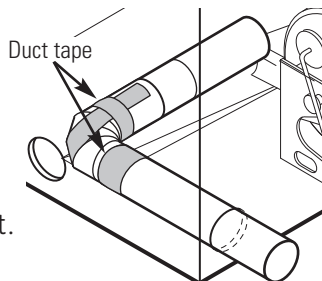
CAUTION: Do not pull or damage the electrical wires and do not remove the vinyl cover from the electrical components inside the dryer when inserting the duct. A slight interference may occur between the exhaust and the wire components.

Installation Instructions

SIDE VENTING (cont.)

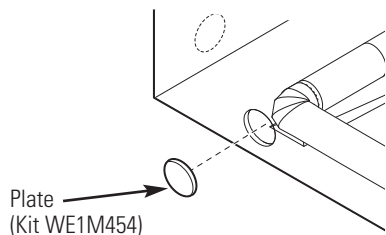
ADDING ELBOW AND DUCT FOR EXHAUST TO LEFT OR RIGHT SIDE OF CABINET (cont.)

- Apply duct tape as shown on the joint between the dryer internal duct and the elbow, and also the joint between the elbow and the side duct.



CAUTION: Internal duct joints must be secured with tape; otherwise, they may separate and cause a safety hazard.

ADDING COVER PLATE TO REAR OF CABINET (SIDE EXHAUST)



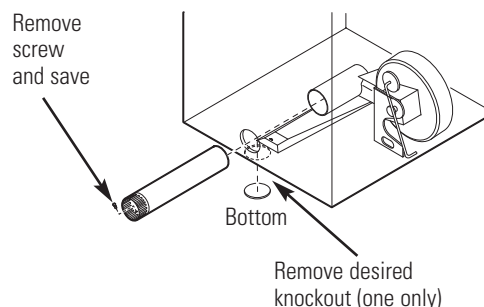
Connect standard metal elbows and ducts to complete the exhaust system. Cover back opening with a plate (Kit WE1M454) available from your local service provider. Place dryer in final location.

⚠ WARNING – NEVER LEAVE THE BACK OPENING WITHOUT THE PLATE.
(Kit WE1M454)

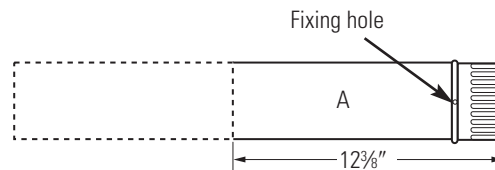
BOTTOM VENTING:

Dryer Exhaust to the bottom of cabinet for Gas and Electric models.

⚠ WARNING – BEFORE PERFORMING THIS EXHAUST INSTALLATION, BE SURE TO DISCONNECT THE DRYER FROM ITS ELECTRICAL SUPPLY. PROTECT YOUR HANDS AND ARMS FROM SHARP EDGES WHEN WORKING INSIDE THE CABINET. BE SURE TO WEAR GLOVES.



Remove the screw inside the dryer exhaust duct and save. Pull the duct out of the dryer. Detach and remove the bottom knockout.



Cut the duct as shown and keep portion A.

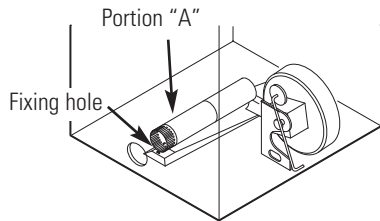
Installation Instructions

EXHAUSTING THE DRYER (cont.)

BOTTOM VENTING (cont.)

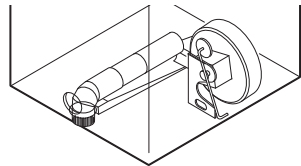
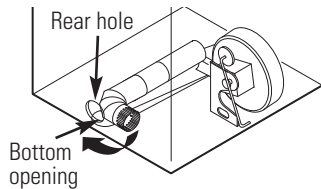
ADDING A NEW DUCT

- Reconnect the cut portion A of the duct to the blower housing.

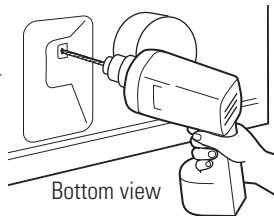


- Tape the elbow in a 90-degree position to prevent rotation.

- Insert the elbow through the rear hole and connect it to portion A. Rotate the elbow through the bottom opening.



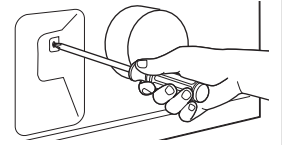
- While holding down the pipe and elbow, using your hand through the rear opening, drill a 1/8" hole through the bottom tab hole and the pipe as shown in the illustration.



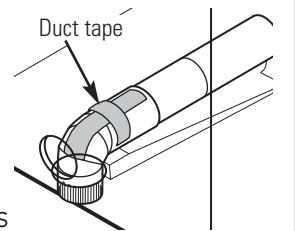
NOTE: Make sure the hole is drilled all the way through the elbow and pipe.

CAUTION: Be sure not to pull or damage the electrical wires inside the dryer when inserting the duct.

- While still holding down the pipe and elbow from the rear opening, screw the pipes in place with the previously saved screw.



- Apply duct tape as shown on the joint between the dryer internal duct and the elbow.

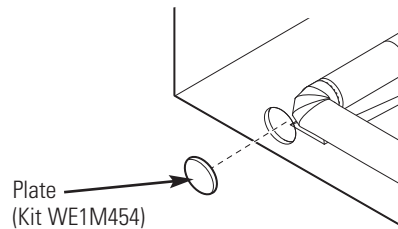


NOTE: Make sure the tape covers the screw hole in portion A where it connects to the elbow.

CAUTION: Internal duct joints must be secured with tape; otherwise, they may separate and cause a safety hazard.

Dryer Exhaust to the bottom of cabinet for Gas and Electric models.

ADDING COVER PLATE TO REAR OF CABINET (BOTTOM EXHAUST)



Connect standard metal elbows and ducts to complete the exhaust system. Cover back opening with a plate (Kit WE1M454) available from your local service provider. Place dryer in final location.

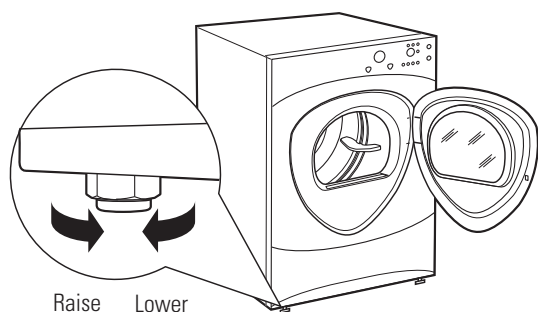
⚠ WARNING – NEVER LEAVE THE BACK OPENING WITHOUT THE PLATE. (Kit WE1M454)

Installation Instructions

FINAL SETUP

1 LEVEL THE DRYER

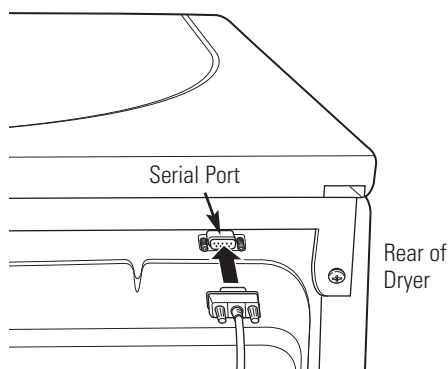
Stand the dryer upright near the final location and adjust the four leveling legs at the corners to ensure that the dryer is level from side to side and front to rear.



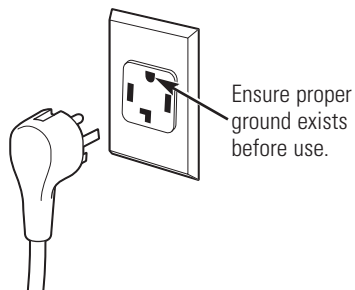
2 ATTACH SERIAL CABLE

Attach the serial cable for washer and dryer connection to the serial port on the back of the dryer.

Attach the other end of the cable to the washer before pushing the washer into its final position.



3 PLUG DRYER IN



4 GROUNDING INSTRUCTIONS

This appliance must be grounded. In the event of malfunction or breakdown, grounding will reduce the risk of electric shock by providing a path of least resistance for electric current. This appliance is equipped with a cord having an equipment-grounding conductor and a grounding plug. The plug must be plugged into an appropriate outlet that is properly installed and grounded in accordance with all local codes and ordinances.

5 DRYER STARTUP

Press the **POWER** button.



NOTE: If the dryer has been exposed to temperatures below freezing for an extended period of time, allow it to warm up before pressing **POWER**. Otherwise, the display will not come on. The dryer is now ready for use.

SERVICING

⚠ WARNING – Label all wires prior to disconnection when servicing controls. Wiring errors can cause improper and dangerous operation after servicing/installation.

For replacement parts and other information, refer to the back cover for servicing phone numbers.

Installation Instructions

REVERSING THE DOOR SWING (if desired)


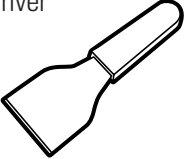

IMPORTANT NOTES

- Read the instructions all the way through before starting.
- Handle parts carefully to avoid scratching paint.
- Provide a non-scratching work surface for the doors.
- Set screws down by their related parts to avoid using them in the wrong places.
- All screws must be hand-tightened.
- Normal completion time to reverse the door swing is 30–60 minutes.




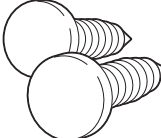
IMPORTANT: Once you begin, do not move the cabinet until door-swing reversal is completed.

These instructions are for changing the hinges from the right side to the left side—if you ever want to switch them back to the right side, follow these same instructions and reverse all references to the left and right.

TOOLS YOU WILL NEED

- Phillips-head screwdriver 
- Putty knife or thin-blade screwdriver 
- Pliers 

STANDARD REVERSIBILITY KIT

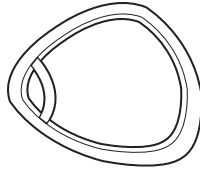
- Chrome door cap 
- Chrome door hinge cap 
- Inner door cap 
- 2 Plug buttons 

Installation Instructions

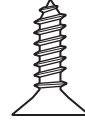
DOOR PARTS



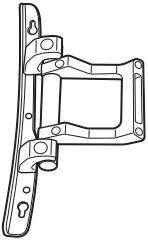
Hinge cap



Chrome door cover



C Small tapping screw
1 – #8 x 0.375"



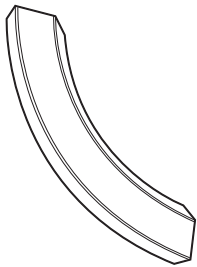
Hinge assembly



Chrome door cap



D Small tapping screws
11 – #8 x 0.625"



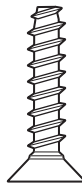
Outer handle



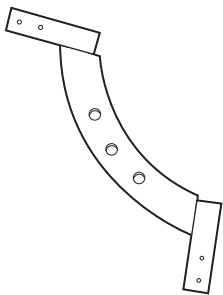
Inner door cap



E Machine screws
4 – #8 x 0.50"



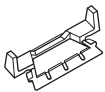
A Large tapping screws
7 – #10 x 1.125"



Inner handle



B Large tapping screws
2 – #10 x 0.750"



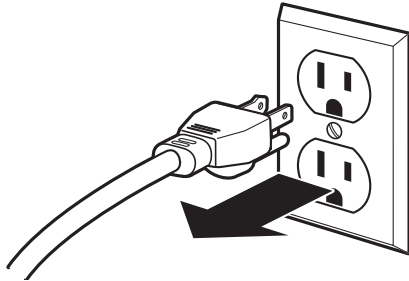
2 Handle caps

Installation Instructions

REVERSING THE DOOR SWING (if desired)

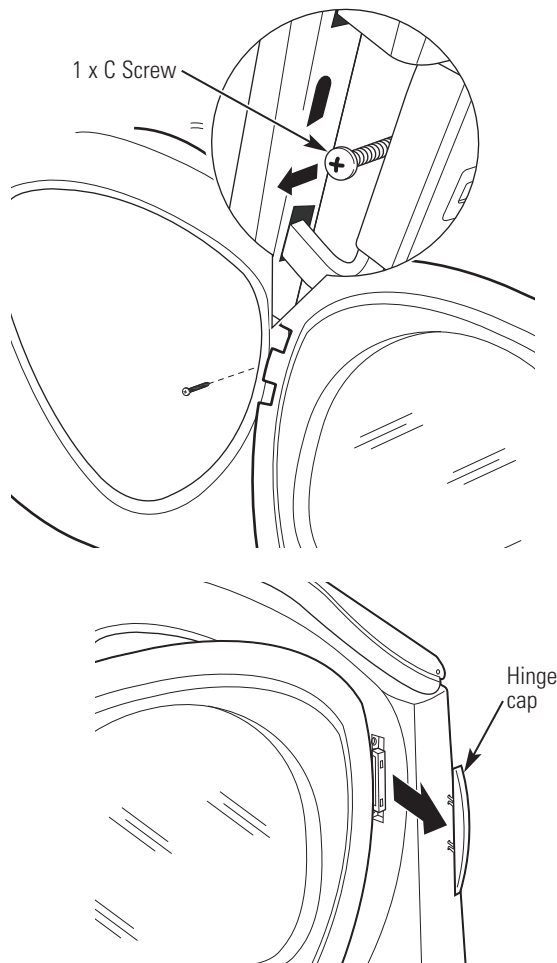
BEFORE YOU START

Unplug the dryer from its electrical outlet.



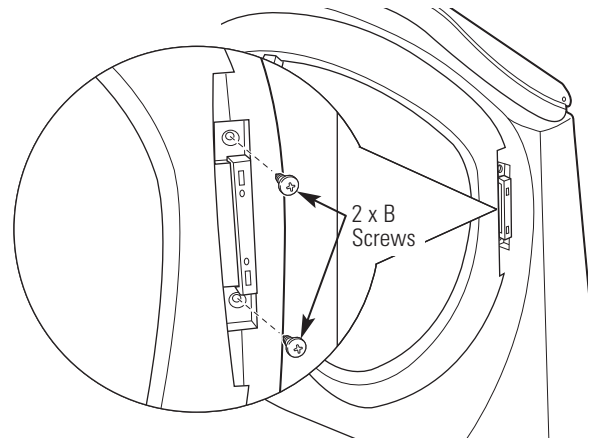
1 REMOVE THE DOOR ASSEMBLY

Remove the side hinge cap by opening the dryer door and removing the screw from behind the hinge (#8 x .375" tapping screw). Then using your hand, pop the hinge cap off the dryer.



1 REMOVE THE DOOR ASSEMBLY (cont.)

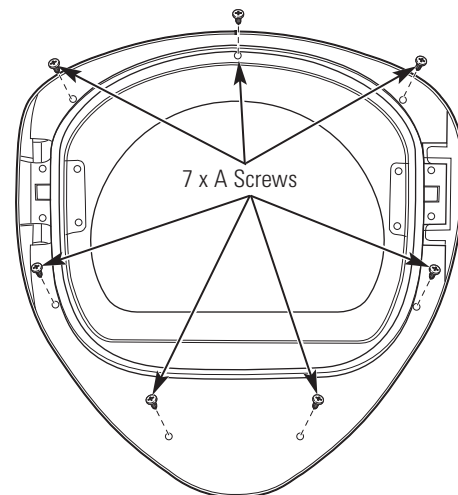
Hold the door and remove the 2 hinge screws (#10 x 0.75" tapping screws). Pull the door away from the dryer front panel.



2 DISASSEMBLE THE DOOR ASSEMBLY

Lay the door down on a soft, protected, flat surface so that the inner part faces upward (door resting on the handle side).

Remove the 7 screws (#10 x 1.125" tapping screws) located around the perimeter of the door.

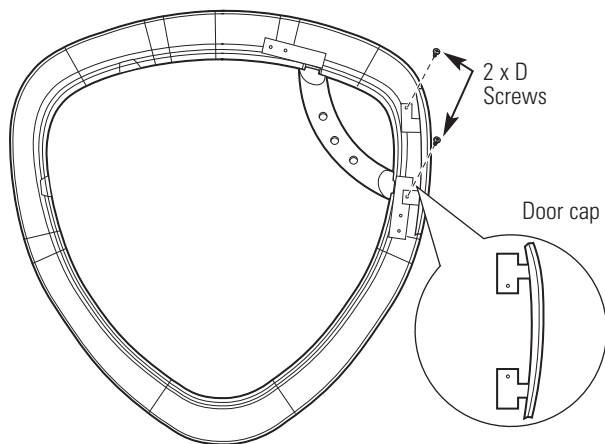


Turn the door assembly over and separate the chrome cover from the inner door. Put the inner door aside on a soft, protected flat surface.

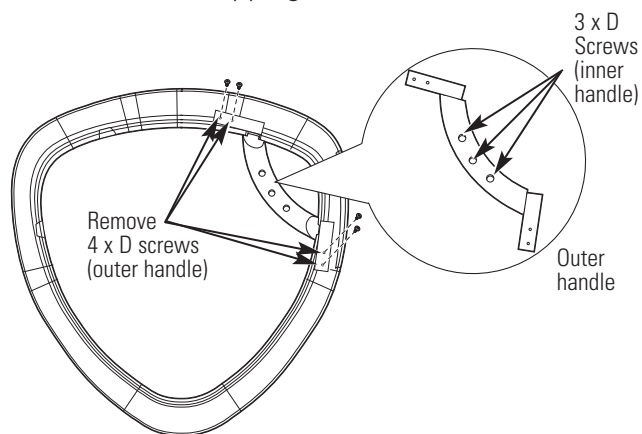
Installation Instructions

3 REVERSE DOOR HANDLE AND CAPS

- A** Lay the chrome cover down on a soft, protected, flat surface so that the inner part faces upward (resting on the handle side). Disassemble the door cap from the chrome cover on the handle side by removing 2 screws (#8 x 0.625" tapping screws).

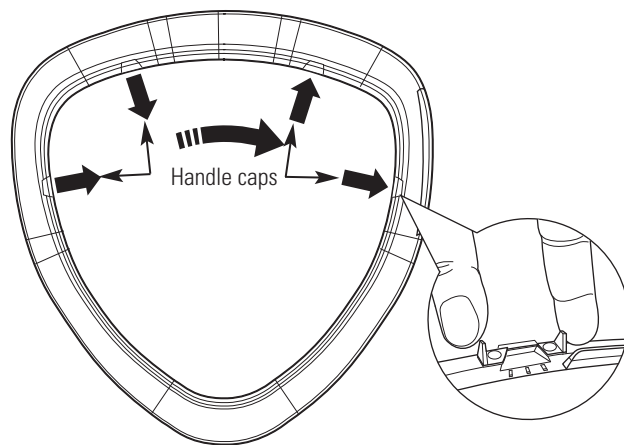


- B** Disassemble the inner handle from the outer handle by removing 3 screws (#8 x 0.625" tapping screws). Disassemble the outer handle from the chrome cover by removing 4 screws (#8 x 0.625" tapping screws).

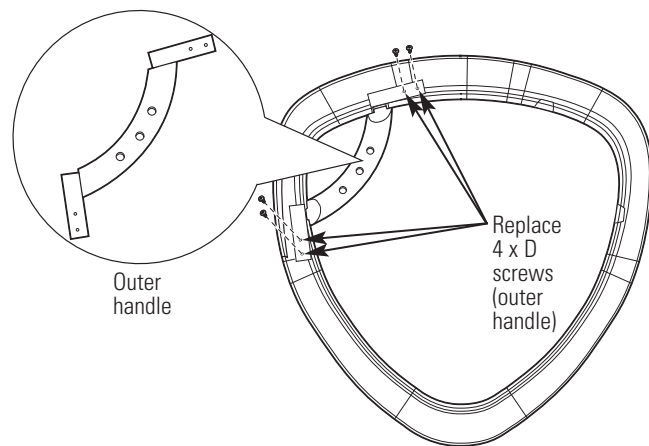


3 REVERSE DOOR HANDLE AND CAPS (CONT.)

- C** Pop the 2 handle caps out toward you and reassemble on the opposite side of the chrome cover, where you removed the outer handle.



- D** Assemble the outer handle onto the opposite side of the chrome cover, using 4 screws (#8 x 0.625" tapping screws).

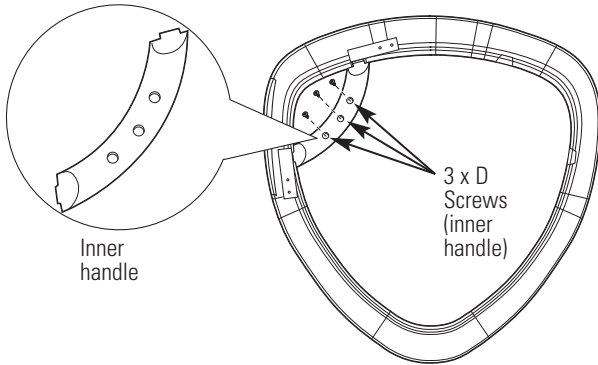


Installation Instructions

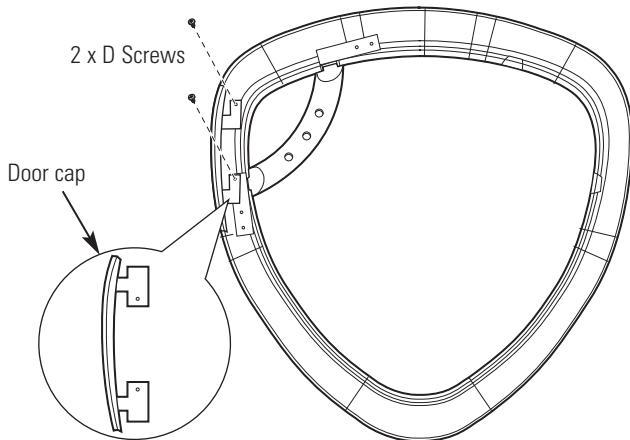
REVERSING THE DOOR SWING (if desired)

3 REVERSE DOOR HANDLE AND CAPS (CONT.)

E Reassemble the inner handle to the outer handle, using 3 screws (#8 x 0.625" tapping screws).



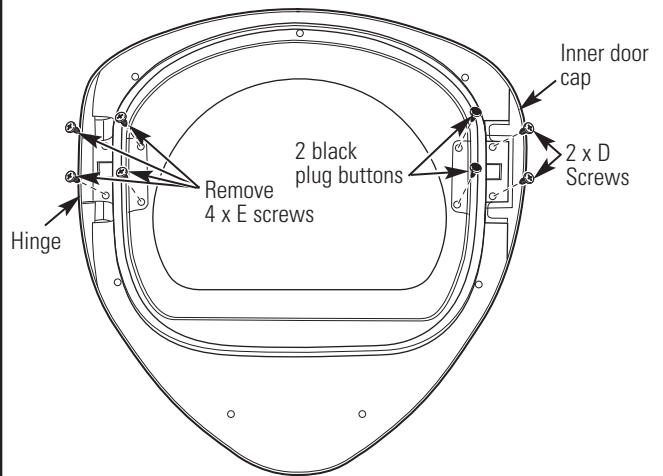
F Assemble the new right-side door cap (from reversibility kit), using 2 screws (#8 x 0.625" tapping screws).



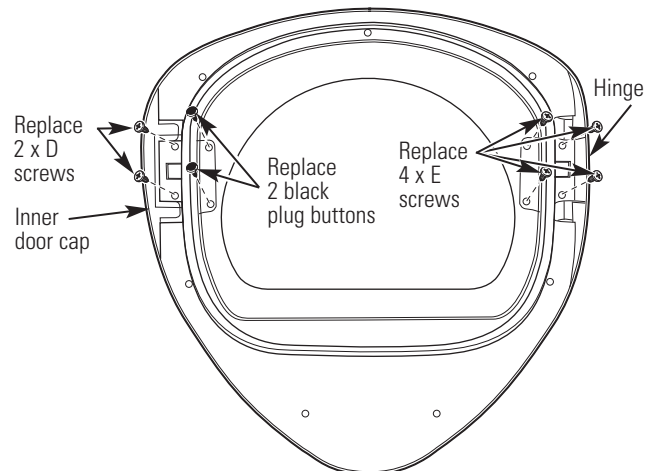
Put the chrome cover aside on a soft, protected flat surface.

4 REVERSE HINGE AND CAPS

- Lay the inner door down on a soft, protected flat surface so that the inner part faces up.
- Remove the 2 black plug buttons on the opposite side of the hinge, using a putty knife or thin-blade screwdriver.
- Disassemble the inner door cap from the inner door by removing 2 screws (#8 x 0.75" tapping screws).
- Disassemble the hinge from the inner door by removing 4 screws (#8-32 x 0.50" machine screws).



- Assemble the hinge to the opposite side of the inner door, using 4 screws (#8-32 x 0.50" machine screws).
- Assemble the new inner door cap (from reversibility kit) on the opposite side of the hinge, using 2 screws (#8 x 0.75" tapping screws).
- Install the 2 black plug buttons on the opposite side of the hinge in the 2 remaining holes.

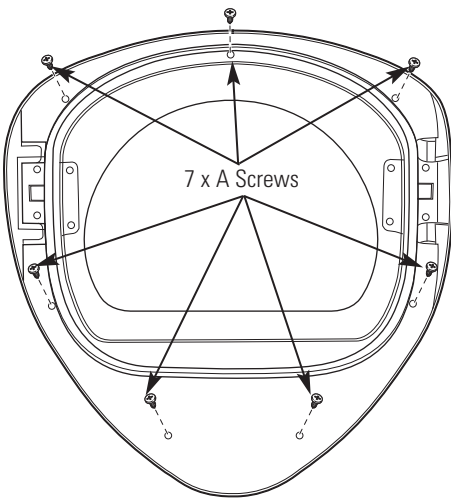
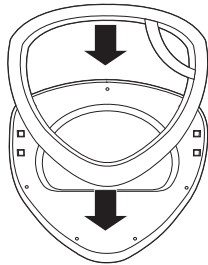


Installation Instructions

5 REASSEMBLE DOOR ASSEMBLY

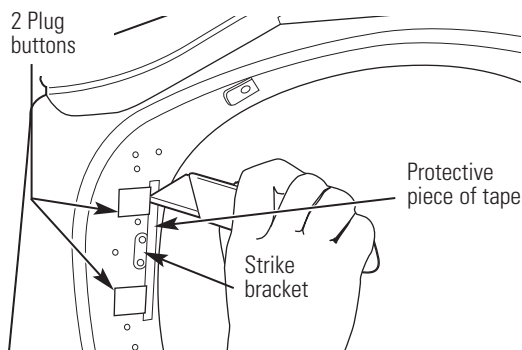
Turn the inner door over and place on a soft, protected flat surface so that the inner part is facing down. Assemble the chrome cover to the inner door by placing them together.

Flip the door assembly over and assemble, using 7 screws (#10 x 1.125" tapping screws).



6 REVERSE FRONT PANEL PLUG BUTTONS AND STRIKE PLATE

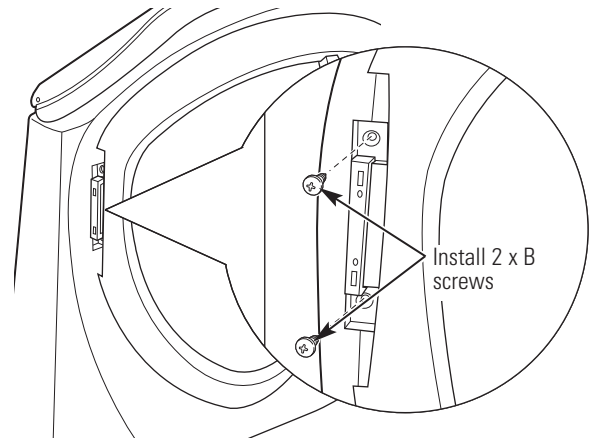
Remove the 2 plug buttons on the dryer front panel, using a putty knife or other flat tool as shown, and reinstall on the opposite side. Switch the strike bracket and its cover by removing 2 screws (#8 x 0.625" tapping screws) for each and reinstalling on opposite sides.



NOTE: Apply a protective piece of tape to the side of the plug button where the putty knife blade will be inserted to prevent scratching.

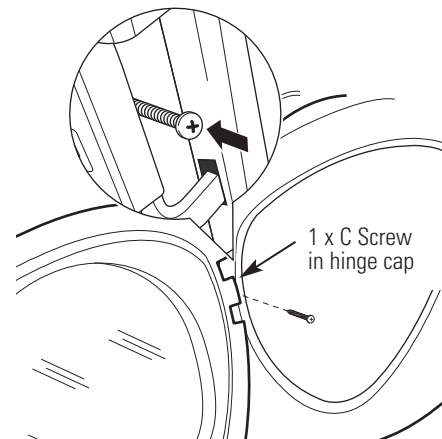
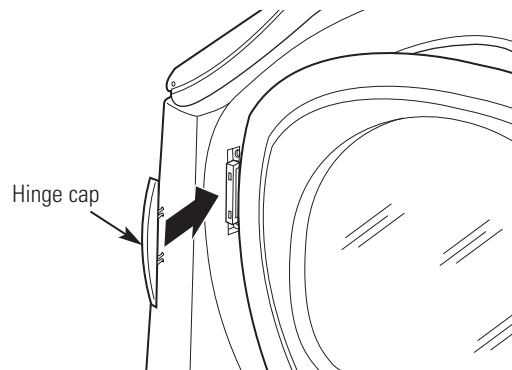
7 REINSTALL DOOR ASSEMBLY

Place the door back on the dryer front panel, making sure the latch is engaged and the hinge is sitting in the two openings in the dryer front. Assemble the door to the front cabinet, using 2 screws (#10 x 0.75" tapping screws).



Install the new left-hand hinge cap (from the reversibility kit) onto the hinge, by opening the dryer door and screwing the hinge cap into place.

NOTE: Save the remaining caps and covers in case you want to reverse the hinge again.



Installation Instructions

STACKING THE WASHER AND DRYER (if desired)

BEFORE YOU BEGIN

Read these instructions completely and carefully.

- **IMPORTANT** – Save these instructions for local electrical inspector's use.
- **IMPORTANT** – Observe all governing codes and ordinances.
- **Note to Installer** – Be sure to leave these instructions with the Consumer.
- **Note to Consumer** – Keep these instructions for future reference.
- Service **must** be performed by a qualified installer.
- Proper installation is the responsibility of the installer.

FOR YOUR SAFETY:

WARNING –

- Electric Shock Hazard. Disconnect power before installing. Failure to do so could result in serious injury or death.
- **Potential Personal Injury. More than two people are recommended to lift the dryer into position because of its weight and size. Failure to do so could result in personal injury or death.**
- Avoid Tipping and Rupture of Utility Services. Dryer must be securely attached to the washer. DO NOT place the washer on top of the dryer. Failure to do so could result in personal injury/death or property damage.
- Mobile Home or Manufactured Home Installation – Stacking of a gas dryer is not permitted in a mobile home or manufactured home.

MINIMUM CLEARANCE OTHER THAN ALCOVE OR CLOSET INSTALLATION

Minimum clearance to combustible surfaces and for air opening are: 0" both sides, 1" front and 3" rear. Consideration must be given to provide adequate clearance for installation and service.

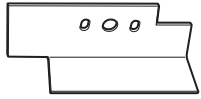
REQUIREMENTS FOR ALCOVE OR CLOSET INSTALLATION

- Your dryer is approved for installation in an alcove or closet, as stated on a label on the dryer back.
- The dryer **MUST** be vented to the outdoors. See the EXHAUSTING THE DRYER section.
- Minimum clearance between dryer cabinet and adjacent walls or other surfaces is:
 - 0" either side
 - 3" front and rear
- Minimum vertical space from floor to overhead shelves, cabinets, ceilings, etc., is 52".
- Closet doors must be louvered or otherwise ventilated and have at least 60 square inches of open area equally distributed. If the closet contains both a washer and a dryer, doors must contain a minimum of 120 square inches of open area equally distributed.
- The closet should be vented to the outdoors to prevent gas pocketing in case of gas in the supply line.
- No other fuel-burning appliance shall be installed in the same closet with the dryer (gas models only).

NOTE: WHEN THE EXHAUST DUCT IS LOCATED AT THE REAR OF THE DRYER, MINIMUM CLEARANCE FROM THE WALL IS 5.5 INCHES.

Installation Instructions

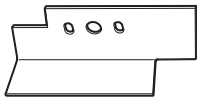
KIT CONTENTS



Right hand bracket



4 #12 x 1" screws



Left hand bracket

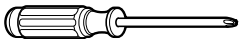


4 #8 x 1/2" screws



4 rubber pads

TOOLS YOU WILL NEED



Phillips screwdriver



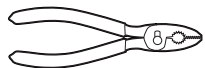
Gloves



Open-ended wrench



Level



Pliers

INSTALLATION PREPARATION

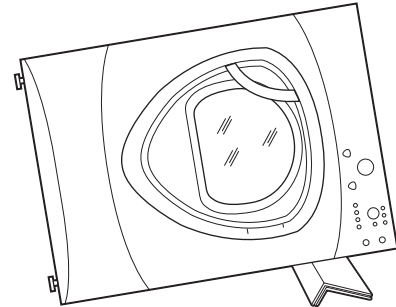
Remove the packaging.

Flatten the product carton to use as a pad to lay the dryer down on its side. Continue using the carton to protect the finished floor in front of the installation location.

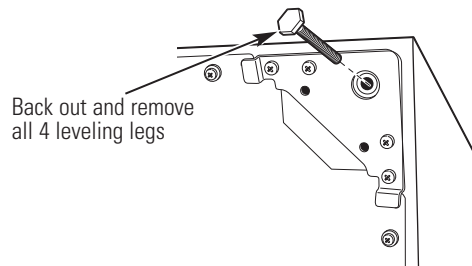
INSTALLING THE STACK BRACKET KIT

1 REMOVE THE DRYER LEVELING LEGS

A. Carefully lay the dryer on its side. Use the packing material so you don't scratch the finish on the dryer.

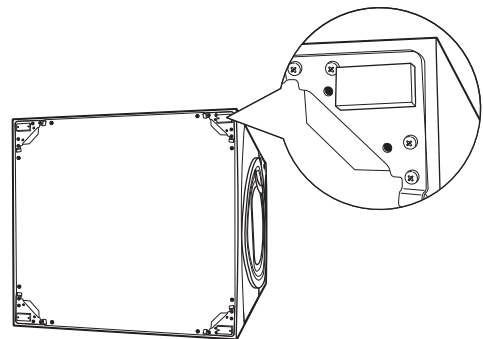


B. Use an open-end wrench or pliers to remove the dryer leveling legs.



2 INSTALL RUBBER PADS TO DRYER BASE

Locate the 4 rubber pads in the parts package. Remove the adhesive backing and firmly place over on the bracket where you removed the leveling legs.



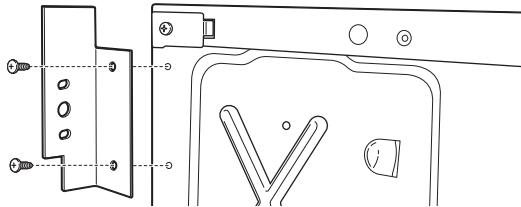
Installation Instructions

STACKING THE WASHER AND DRYER (if desired) (cont.)

3 INSTALL BRACKET TO DRYER

- Align the holes in the left bracket with the holes in the bottom left corner of the dryer. Use a Phillips screwdriver to install the 2 #12 x 1" tapping screws.
- Repeat the above step with the right bracket on the bottom right corner of the dryer.
- Set the dryer upright.

NOTE: Make sure to set the dryer on a piece of packing material so the brackets that are attached to the bottom of the dryer do not damage the floor.

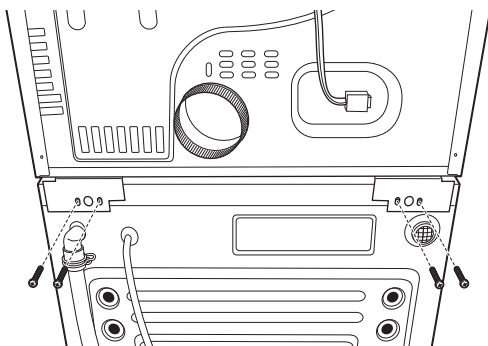


4 INSTALL DRYER AND BRACKET ON WASHER

- Lift the dryer on top of the washer. Be careful not to scratch the top of the washer with the brackets. Protect the washer control panel with cardboard or other protection. Be sure to lift the dryer high enough to clear the washer control panel.

⚠ WARNING – Potential Personal Injury. More than two people are recommended to lift the dryer into position because of its weight and size. Failure to do so could result in personal injury or death.

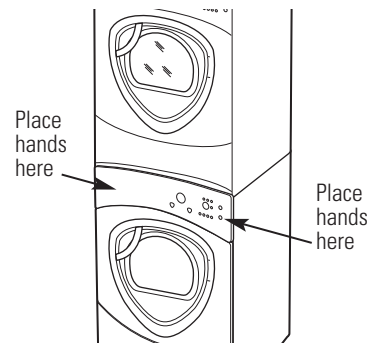
- Align the holes in the bracket with the holes in the back of the washer. Using a Phillips screwdriver, attach the 2 #8 x 1/2" tapping screws. Repeat on both sides of the washer.



5 FINALIZE THE INSTALLATION

- Refer to the washer Installation Instructions to complete the washer installation.
- Refer to the dryer Installation Instructions to complete the dryer installation.
- Carefully slide or walk the stacked washer and dryer into place. Use felt pads or other sliding device to assist moving and to protect flooring.

⚠ WARNING – Potential Personal Injury. Do not push on the dryer once installed to top of the washer. Pushing on the dryer may result in pinched fingers.



Installation Instructions

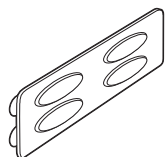
INSTALLING THE PEDESTAL (if desired)

⚠ CAUTION — Due to the size and weight of these products, and to reduce the risk of personal injury or damage to the product, **TWO PEOPLE ARE REQUIRED FOR PROPER INSTALLATION.**

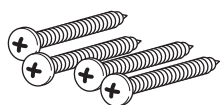
KIT CONTENTS



☐ 4 Support pads



☐ Drawer divider

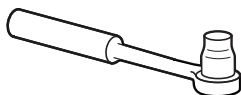


☐ 4 Mounting screws

TOOLS YOU WILL NEED



☐ Phillips-head screwdriver



☐ 7 mm Socket wrench



☐ 9/16" Open-end wrench or adjustable wrench

INSTALLATION PREPARATION

Remove the packaging.

The drawer divider is taped at the top of the shipping carton. Remove the divider and set aside for final installation.

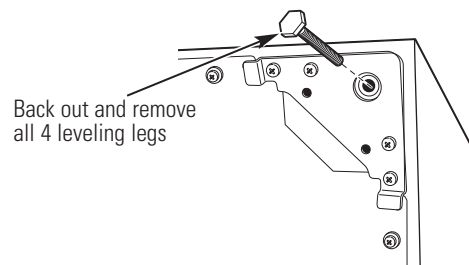
Flatten the product carton to use as a pad to lay the washer or dryer down on its side. Continue using the carton to protect the finished floor in front of the installation location.

1 REMOVE THE LEVELING LEGS

A Carefully lay the washer or dryer on its side to access the leveling legs on the bottom of the appliance.

IMPORTANT: Do not lay the washer or dryer on its back! Do not remove the shipping bolts on the back side of the washer. The bolts must remain in place until the washer is returned to an upright position.

B Use an open-end wrench to remove the washer or dryer leveling legs.



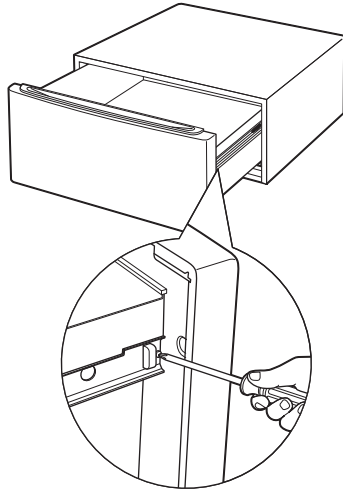
Installation Instructions

INSTALLING THE PEDESTAL (if desired) (cont.)

2 PREPARE THE PEDESTAL

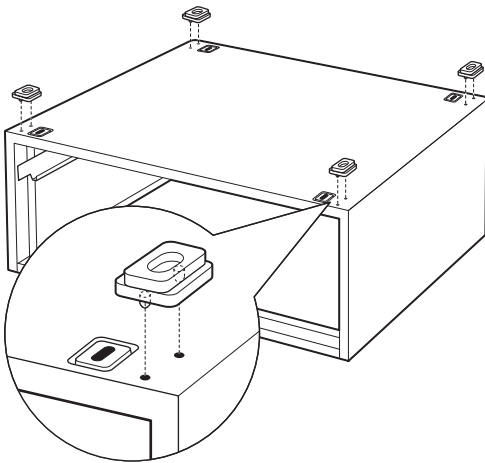
A Pull the drawer out as far as it will go.

B Remove screws from drawer slides. Slide drawer out of the base and set aside.



FOR DRYERS ONLY:

C Locate the 4 support pads from the parts package. Each pad has 2 protrusions that fit into the holes on top of the pedestal. Press the rubber pads into each set of corner holes on the top of the pedestal as shown.

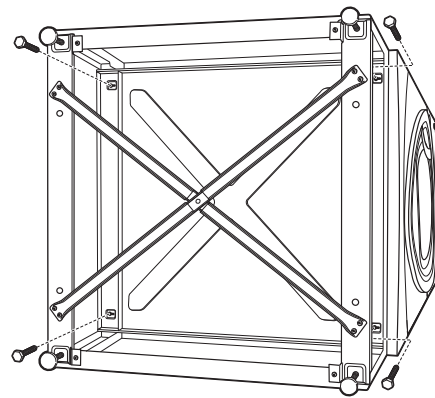


NOTE: The support pads should be installed on the dryer only. DO NOT INSTALL THESE PADS ON THE WASHER PEDESTAL.

3 INSTALL THE PEDESTAL TO THE WASHER OR DRYER

A Place the pedestal against the bottom of the unit. Check to be sure the drawer front is at the front of the washer.

B Align the holes in the pedestal with the holes in the bottom of the unit. Use a Phillips screwdriver to install the 4 bolts through the pedestal and into the unit—do not tighten.

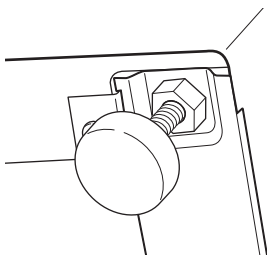


C Slide the pedestal toward the unit, until it is aligned front to back. Use a 7 mm socket wrench to securely tighten the bolts.

Installation Instructions

4 LEVEL THE WASHER OR DRYER

- A** Stand the washer or dryer upright. Move it close to its final location.
- B** Make sure that the washer or dryer is level by placing a level on top. Check side to side and front to back.
- C** Use an open ended wrench to adjust the legs in and out. Tighten the lock nut against the bottom of the pedestal.



NOTE: To minimize vibration, the locking nuts must be tight.

6 REMOVE SHIPPING SCREWS

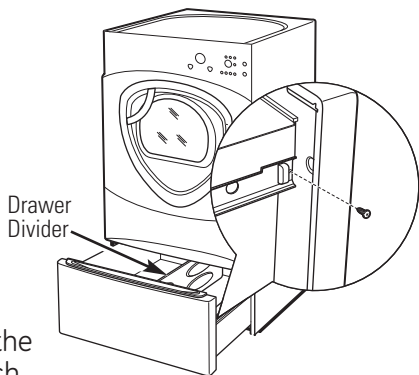
Remove the 4 shipping screws on the back side of the washer.

7 FINALIZE THE INSTALLATION

Refer to the washer or dryer Installation Instructions to complete the installation.

5 REINSTALL THE DRAWER

- A** Check to be sure the slides are closed.
- B** Slide the drawer into the opening. Align the drawer supports to the slides on each side.
- C** Reinstall the original screws into each drawer slide. Tighten both screws.
- D** Open the drawer fully. Slide drawer divider into slots in the center of the drawer. The drawer should slide smoothly when you push it closed.



Before you call for service...



Troubleshooting Tips

Save time and money! Review the charts on the following pages, or visit ge.com. You may not need to call for service.

PROBLEM	Possible Causes	What To Do
Dryer shakes or makes noise	Some shaking/noise is normal. Dryer may be sitting unevenly	<ul style="list-style-type: none"> Move dryer to an even floor space, or adjust leveling legs as necessary until even.
Clothes take too long to dry	Improper or obstructed ducting	<ul style="list-style-type: none"> Check the Installation Instructions to make sure the dryer venting is correct. Make sure ducting is clean, free of kinks and unobstructed. Check to see if outside wall damper operates easily.
	Improper sorting	<ul style="list-style-type: none"> Separate heavy items from lightweight items (generally, a well-sorted washer load is a well-sorted dryer load).
	Large loads of heavy fabrics (like beach towels)	<ul style="list-style-type: none"> Large, heavy fabrics contain more moisture and take longer to dry. Separate large, heavy fabrics into smaller loads to speed drying time.
	Controls improperly set	<ul style="list-style-type: none"> Match control settings to the load you are drying.
	Lint filter is full	<ul style="list-style-type: none"> Clean lint filter before every load.
	Blown fuses or tripped circuit breaker	<ul style="list-style-type: none"> Replace fuses or reset circuit breakers. Since most dryers use 2 fuses/breakers, make sure both are operating.
	Overloading/combining loads	<ul style="list-style-type: none"> Do not put more than one washer load in the dryer at a time.
	Underloading	<ul style="list-style-type: none"> If you are drying only one or two items, add a few items to ensure proper tumbling.
The DRY dryness level was chosen but load is still damp	Load consists of a mixture of heavy and light fabrics	<ul style="list-style-type: none"> When combining heavy and light fabrics in a load, choose MORE DRY.
	Exhaust system is blocked	<ul style="list-style-type: none"> Inspect and clean exhaust system.
Control pads not responding	Controls accidentally put in service mode	<ul style="list-style-type: none"> Press START/PAUSE.
	Controls accidentally put in lock mode	<ul style="list-style-type: none"> Hold the LOCK button for 3 seconds to unlock the dryer.
	Controls performed an incorrect operation	<ul style="list-style-type: none"> Reset the in-house breaker.
Dryer doesn't start	Control panel is "asleep"	<ul style="list-style-type: none"> This is normal. Press POWER to activate the control panel.
	Dryer is unplugged	<ul style="list-style-type: none"> Make sure the dryer plug is pushed completely into the outlet.
	Fuse is blown/circuit breaker is tripped	<ul style="list-style-type: none"> Check the building's fuse/circuit breaker box and replace fuse or reset breaker. NOTE: Electric dryers use two fuses or breakers.
	Dryer was accidentally paused when starting Delay Start	<ul style="list-style-type: none"> If the light on the START/PAUSE button is flashing, the dryer is paused. Press START/PAUSE to restart the countdown.
No numbers displayed during cycle, only lights	Dryer is continuously monitoring the amount of moisture in the clothes	<ul style="list-style-type: none"> This is normal. When the dryer senses a low level of moisture in the load, the dryer will display the dry time remaining.

PROBLEM	Possible Causes	What To Do
<i>Time Remaining jumped to a lower number</i>	The estimated time may change when a smaller load than usual is drying	<ul style="list-style-type: none"> This is normal.
<i>Cannot make a selection and the dryer beeps twice</i>	The DRYNESS LEVEL , TEMP or OPTION that you are trying to select is incompatible with the chosen dry cycle	<ul style="list-style-type: none"> This is normal.
<i>Dryer is running but 00 is displayed in Time Remaining</i>	The EXTEND TUMBLE option was chosen	<ul style="list-style-type: none"> This is normal. During extended tumbling, the time remaining is not displayed. The extended tumbling option lasts approximately 20 minutes.
<i>Clean Lint Filter (message)</i>	POWER button was activated	<ul style="list-style-type: none"> Press START/PAUSE to begin a dry cycle and the message will disappear.
<i>Dryer doesn't heat</i>	Fuse is blown/circuit breaker is tripped; the dryer may tumble but not heat	<ul style="list-style-type: none"> Check the building's fuse/circuit breaker box and replace both fuses or reset both breakers. Your dryer may tumble if only one fuse is blown or one breaker tripped.
	Gas service is off	<ul style="list-style-type: none"> Make sure gas shutoff at dryer and main shutoff are fully open.
	LP gas supply tank is empty or there has been a utility interruption of natural gas (gas models)	<ul style="list-style-type: none"> Refill or replace tank. Dryer should heat when utility service is restored.
<i>Inconsistent drying times</i>	Type of heat	<ul style="list-style-type: none"> Drying time will vary according to the type of heat used. If you recently changed from an electric to a gas (natural or LP) dryer, or vice versa, the drying time could be different.
	Type of load and drying conditions	<ul style="list-style-type: none"> The load size, types of fabric, wetness of clothes and the length and condition of the exhaust system will affect drying times.
<i>Glow at the rear of the drum</i>	Heaters behind the drum	<ul style="list-style-type: none"> This is normal. Under certain drying conditions and room ambient lighting, the glow of the heaters may be visible at the rear of the drum.
<i>Clothes are still wet and dryer shut off after a short time</i>	The door was opened mid-cycle. The load was then removed from the dryer and a new load put in without selecting a new cycle	<ul style="list-style-type: none"> A dry cycle must be reselected each time a new load is put in.
	Small load	<ul style="list-style-type: none"> When drying 3 items or less, choose SPEED DRY or TIMED DRY.
	Load was already dry except for collars and waistbands	<ul style="list-style-type: none"> Choose SPEED DRY or TIMED DRY to dry damp collars and waistbands. In the future, when drying a load with collars and waistbands, choose MORE DRY.
	Dryer is not level	<ul style="list-style-type: none"> Move dryer to an even floor space or adjust leveling legs as necessary until even.
<i>Clothes are wrinkled</i>	Overdrying	<ul style="list-style-type: none"> Select a shorter drying time. Remove items while they still hold a slight amount of moisture. Select a LESS DRY or DAMP setting.
	Letting items sit in dryer after cycle ends	<ul style="list-style-type: none"> Remove items when cycle ends and fold or hang immediately, or use the EXTEND TUMBLE option.
	Overloading	<ul style="list-style-type: none"> Separate large loads into smaller ones.

Before you call for service...



Troubleshooting Tips
Save time and money! Review the charts on the following pages, or visit ge.com. You may not need to call for service.

PROBLEM	Possible Causes	What To Do
<i>Clothes shrink</i>	Some fabrics will naturally shrink when washed. Others can be safely washed, but will shrink in the dryer	<ul style="list-style-type: none"> To avoid shrinkage, follow garment care labels exactly. Some items may be pressed back into shape after drying. If you are concerned about shrinkage in a particular item, do not machine wash or tumble dry it.
<i>Greasy spots on clothes</i>	Improper use of fabric softener	<ul style="list-style-type: none"> Follow directions on fabric softener package.
	Drying dirty items with clean ones	<ul style="list-style-type: none"> Use your dryer to dry only clean items. Dirty items can stain clean items and the dryer.
	Clothes were not completely clean	<ul style="list-style-type: none"> Sometimes stains which cannot be seen when the clothes are wet <i>appear</i> after drying. Use proper washing procedures before drying.
<i>Lint on clothes</i>	Lint filter is full	<ul style="list-style-type: none"> Clean lint screen before each load.
	Improper sorting	<ul style="list-style-type: none"> Sort lint producers (like chenille) from lint collectors (like corduroy).
	Static electricity can attract lint	<ul style="list-style-type: none"> See suggestions in this section under STATIC.
	Overloading	<ul style="list-style-type: none"> Separate large loads into smaller ones.
	Paper, tissue, etc., left in pockets	<ul style="list-style-type: none"> Empty all pockets before laundering clothes.
<i>Static occurs</i>	No fabric softener was used	<ul style="list-style-type: none"> Try a fabric softener. Bounce® Fabric Conditioner Dryer Sheets have been approved for use in all GE Dryers when used in accordance with the manufacturer's instructions.
	Overdrying	<ul style="list-style-type: none"> Try a fabric softener. Adjust setting to LESS DRY or DAMP.
	Synthetics, permanent press and blends can cause static	<ul style="list-style-type: none"> Try a fabric softener.
<i>Collars and waistbands still wet at end of cycle</i>	The dryness monitor senses that the body of the clothes is dry	<ul style="list-style-type: none"> Choose SPEED DRY or TIMED DRY to dry damp collars and waistbands. In the future, when drying a load with collars and waistbands, choose MORE DRY.
<i>Slight variation in metallic color</i>	This is normal	<ul style="list-style-type: none"> Due to the metallic properties of paint used for this unique product, slight variations of color may occur due to viewing angles and lighting conditions.
<i>Door is too foggy to see clothes during a steam cycle</i>	Steam condenses on inner door	<ul style="list-style-type: none"> This is normal.
<i>Water seen on inside of door and top of lint filter when opening door after steam cycle</i>	Steam condenses on these surfaces	<ul style="list-style-type: none"> This is normal.
<i>Small areas on clothes are damp after steam cycle</i>	Steam condenses on inner drum	<ul style="list-style-type: none"> Select a shorter cycle.
	Cycle or cycle time selected too long for size of load	<ul style="list-style-type: none"> Manually reduce cycle time for given cycle.

PROBLEM	Possible Causes	What To Do
<i>Small amount of water on floor in front of dryer</i>	<i>Inadequate load size for steam cycle selected, excess steam condenses inside cabinet and leaks out</i>	<ul style="list-style-type: none"> • Select a shorter cycle. Manually reduce cycle time for given cycle.
<i>Water on floor in back of dryer</i>	<i>Loose water hose connection to valve</i>	<ul style="list-style-type: none"> • Tighten connection.
	<i>Hose missing rubber washer at connection with valve</i>	<ul style="list-style-type: none"> • Install rubber washer provided with hose.
<i>Dryer makes water noises</i>	<i>Water valve is open filling steam generator</i>	<ul style="list-style-type: none"> • This is normal.
	<i>Steam generator is dispensing steam into drum</i>	<ul style="list-style-type: none"> • This is normal.
<i>Water drips from door when opened after a Steam Cycle</i>	<i>Steam condenses on inner door</i>	<ul style="list-style-type: none"> • This is normal.
<i>Cannot see steam at beginning of cycle</i>	<i>Steam released at different time in cycle</i>	<ul style="list-style-type: none"> • This is normal.
<i>Garments still wrinkled after steam cycle</i>	<i>Too many garments</i>	<ul style="list-style-type: none"> • Load fewer garments; manually increase time.
<i>Dryer continues to tumble after display says Complete</i>	<i>Extend Tumble was selected</i>	<ul style="list-style-type: none"> • Ensure Extend Tumble option is not selected.

Consumer Support

Troubleshooting Tips

Operating Instructions

Safety Instructions

Notes.

GE Dryer Warranty. *(For customers in the United States)*



All warranty service provided by our Factory Service Centers, or an authorized Customer Care® technician. To schedule service, on-line, visit us at ge.com, or call 800.GE.CARES (800.432.2737).

Please have serial number and model number available when calling for service.

Staple your receipt here.
Proof of the original purchase date is needed to obtain service under the warranty.

For The Period Of: We Will Replace:

One Year <i>From the date of the original purchase</i>	Any part of the dryer which fails due to a defect in materials or workmanship. During this limited one-year warranty , GE will also provide, free of charge , all labor and related service costs to replace the defective part.
Second Year <i>From the date of the original purchase</i>	Any part of the dryer which fails due to a defect in materials or workmanship. During this additional one-year limited warranty , you will be responsible for any labor or related service costs.
Second through Fifth Year <i>From the date of the original purchase</i>	The extra-large or super-capacity dryer drum and main electronic control board if any of these parts should fail due to a defect in materials or workmanship. During this additional three-year limited warranty , you will be responsible for any labor or related service costs.

What Is Not Covered (in the United States):

- Service trips to your home to teach you how to use the product.
- Improper installation, delivery or maintenance.
- Failure of the product if it is abused, misused or used for other than the intended purpose or used commercially.
- Replacement of the light bulb after its expected useful life.
- Replacement of house fuses or resetting of circuit breakers.
- Damage to the product caused by accident, fire, floods or acts of God.
- Incidental or consequential damage caused by possible defects with this appliance.
- Damage caused after delivery.
- Product not accessible to provide required service.

EXCLUSION OF IMPLIED WARRANTIES—Your sole and exclusive remedy is product repair as provided in this Limited Warranty. Any implied warranties, including the implied warranties of merchantability or fitness for a particular purpose, are limited to one year or the shortest period allowed by law.

This warranty is extended to the original purchaser and any succeeding owner for products purchased for home use within the USA. If the product is located in an area where service by a GE Authorized Servicer is not available, you may be responsible for a trip charge or you may be required to bring the product to an Authorized GE Service location for service. In Alaska, the warranty excludes the cost of shipping or service calls to your home.

Some states do not allow the exclusion or limitation of incidental or consequential damages. This warranty gives you specific legal rights, and you may also have other rights which vary from state to state. To know what your legal rights are, consult your local or state consumer affairs office or your state's Attorney General.

Warrantor: General Electric Company. Louisville, KY 40225

GE Dryer Warranty. *(For customers in Canada)*



All warranty service provided by our Factory Service Centres or an authorized technician. For service, call 1.800.561.3344.

Please have serial number and model number available when calling for service.

For The Period Of:	We Will Replace:
One Year From the date of the original purchase	Any part of the dryer which fails due to a defect in materials or workmanship. During this limited one-year warranty , GE will also provide, free of charge , all labor and related service costs to replace the defective part.
Second Year From the date of the original purchase	Any part of the dryer which fails due to a defect in materials or workmanship. During this additional one-year limited warranty , you will be responsible for any labor or related service costs.
Second through Fifth Year From the date of the original purchase	The extra-large or super-capacity dryer drum and main electronic control board if any of these parts should fail due to a defect in materials or workmanship. During this additional three-year limited warranty , you will be responsible for any labor or related service costs.

What Is Not Covered (in Canada):

- Service trips to your home to teach you how to use the product.
- Improper installation, delivery or maintenance.
- Failure of the product if it is abused, misused or used for other than the intended purpose or used commercially.
- Replacement of the light bulb after its expected useful life.
- Replacement of house fuses or resetting of circuit breakers.
- Damage to the product caused by accident, fire, floods or acts of God.
- Incidental or consequential damage caused by possible defects with this appliance.
- Damage caused after delivery.
- Product not accessible to provide required service.

EXCLUSION OF IMPLIED WARRANTIES—Your sole and exclusive remedy is product repair as provided in this Limited Warranty. Any implied warranties, including the implied warranties of merchantability or fitness for a particular purpose, are limited to one year or the shortest period allowed by law.

This warranty is extended to the original purchaser and any succeeding owner for products purchased in Canada for home use within Canada. In-home warranty service will be provided in areas where it is available and deemed reasonable by Mabe to provide.

WARRANTOR IS NOT RESPONSIBLE FOR CONSEQUENTIAL DAMAGES.

Warrantor: MABE CANADA INC.

Mesures de sécurité 52-54

Fonctionnement

Caractéristiques60, 61
Guide de démarrage55
Option réglage60
Options de cycle59, 60
Panneau de contrôle55-58
Utilisation de la sècheuse62

Installation

Avant de commencer63, 64
Branchement des boyaux
d'arrivée66
Emplacement
de votre sècheuse64, 65
Évacuation de la sècheuse74-80
Installation du socle91-93
Installation finale81
Inversion de l'ouverture
de la porte82-87
Raccordement
d'une sècheuse à gaz67-70
Raccordement
d'une sècheuse électrique71-73
Superposer la sècheuse
à la laveuse88-90

Conseils de dépannage ...94-97

Soutien au consommateur

Garantie 99
Soutien au
consommateur 100

CONSERVEZ CES DIRECTIVES

**Inscrivez ici les numéros
de modèle et de série :**

Modèle N° _____

Série N° _____

Ces informations figurent
sur l'étiquette située à l'avant
de la sècheuse, derrière la porte.

Mesures de sécurité

Fonctionnement

Conseils de dépannage

Soutien au consommateur

MESURES DE SÉCURITÉ IMPORTANTES. LISEZ D'ABORD TOUTES LES DIRECTIVES.

⚠ AVERTISSEMENT!

Pour votre sécurité, suivez les directives fournies dans le présent manuel afin de minimiser les risques d'incendie, d'explosion et de chocs électriques et prévenir des dégâts matériels et des blessures graves ou mortelles.

■ *N'entreposez pas ou n'utilisez pas d'essence ou autres vapeurs ou liquides inflammables à proximité de cet appareil ou de tout autre électroménager.*

■ *L'installation et les réparations doivent être effectuées par un installateur qualifié, une entreprise de réparation ou votre fournisseur de gaz.*

SI VOUS REMARQUEZ UNE ODEUR DE GAZ :

1 *N'allumez pas d'allumette ou de cigarette, ou ne faites fonctionner aucun appareil à gaz ou électrique.*

2 *N'actionnez aucun interrupteur; n'utilisez aucun téléphone dans votre édifice.*

3 *Évacuez la pièce, l'édifice ou les environs.*

4 *Appelez immédiatement votre fournisseur de gaz en utilisant le téléphone d'un voisin. Suivez les directives qu'il vous donnera.*

5 *Si vous ne pouvez joindre votre fournisseur de gaz, appelez les pompiers.*

Loi californienne sur le contrôle des substances toxiques et de l'eau potable

Cette loi exige que le gouverneur de Californie publie une liste de substances reconnues par l'état comme étant cancérigènes, responsables de malformations congénitales ou des autres effets nuisibles sur les organes reproducteurs, et que les entreprises avertissent les clients de l'exposition potentielle à ces substances.

Les appareils ménagers fonctionnant au gaz peuvent causer une exposition mineure à quatre de ces substances, à savoir le benzène, le monoxyde de carbone, le formaldéhyde et la suie, principalement en raison de la combustion incomplète du gaz naturel ou du gaz de pétrole liquéfié.

Le réglage adéquat de la sècheuse réduira au maximum la combustion incomplète. L'exposition à ces substances peut être encore réduite davantage en assurant une évacuation adéquate de la sècheuse vers l'extérieur.



UNE INSTALLATION ADÉQUATE

Avant d'utiliser votre sècheuse, assurez-vous qu'elle a été adéquatement installée, conformément aux Instructions d'installation. Les consignes d'installation figurent au dos de ce manuel.

- Mettez l'appareil à la terre conformément à tous les codes et règlements en vigueur. Suivez les Directives d'installation.
- Installez ou entreposez l'appareil dans une pièce où la température est supérieure à 0°C, et où il sera à l'abri des intempéries.
- Branchez l'appareil sur un circuit protégé et de capacité appropriée afin d'éviter toute surcharge électrique.
- Retirez tous les articles d'emballage tranchants et jetez tous les matériaux de transport.

Conduit d'évacuation :

- 1 L'air des sècheuses **DOIT** être évacué à l'extérieur pour empêcher que de grandes quantités d'humidité et de charpie soient envoyées dans la pièce.
- 2 Utilisez uniquement des conduits métalliques rigides, d'un diamètre de 4 po, à l'intérieur de la carrosserie de la sècheuse. Utilisez uniquement un conduit métallique rigide ou flexible de 4 po de diamètre pour l'évacuation vers l'extérieur. N'utilisez jamais un conduit en plastique ou autre matériau combustible facilement perforable.

Pour des détails complets, suivez les Instructions d'installation.

⚠ AVERTISSEMENT!



AUTOUR DE VOTRE SÈCHEUSE

- Conservez la zone sous et autour de vos appareils libre de tous matériaux combustibles (charpies, papiers, chiffons, etc.), essence, produits chimiques et autres gaz et liquides inflammables.
- Gardez le sol propre et sec à proximité de vos électroménagers afin de ne pas glisser.
- Il faut exercer une étroite surveillance lorsque vous faites fonctionner cet appareil en présence d'enfants. Ne les laissez pas jouer sur, avec ou dans cet appareil ou dans tout autre appareil.
- Assurez-vous qu'il n'y ait aucune accumulation de charpie, de poussière ou de saleté autour et à proximité de l'orifice d'évacuation.
- Gardez tous les produits pour la lessive (comme les détergers, les javellisants, etc.) hors de la portée des enfants, de préférence dans une armoire fermée à clef. Suivez toutes les mises en garde sur les étiquettes pour éviter des blessures.
- Ne montez jamais sur le dessus de la sècheuse.



LORSQUE VOUS UTILISEZ LA SÈCHEUSE

- Ne vous penchez jamais dans la sècheuse pendant que le tambour tourne. Avant de charger ou de décharger la sècheuse ou d'y ajouter des vêtements, attendez que le tambour se soit complètement arrêté.
- Avant chaque séchage, nettoyez le filtre à charpie afin de prévenir l'accumulation de charpie à l'intérieur de la sècheuse ou dans la pièce. **NE FAITES PAS FONCTIONNER LA SÈCHEUSE SANS LE FILTRE À CHARPIE.**
- Ne lavez pas ou ne faites pas sécher des articles qui ont été lavés avec des produits combustibles ou explosifs, ou qui ont été trempés dans ces produits ou qui en sont tachés (cire, peinture, huile, essence, dégraissants, solvants pour le nettoyage à sec, kérosène, etc.). Ces substances émettent des vapeurs qui peuvent prendre feu ou exploser. Ne versez pas ces substances dans l'eau de la laveuse. N'utilisez pas ces substances à proximité de votre laveuse ou de votre sècheuse pendant qu'elles fonctionnent.
- Ne rangez pas dans votre sècheuse des articles qui ont été en contact avec des huiles de cuisson; ceux-ci peuvent provoquer une réaction chimique susceptible de faire s'enflammer vos vêtements.
- Il ne faut pas mettre dans la sècheuse, ou à proximité de celle-ci, tout article ayant été utilisé avec un solvant dégraissant ou contenant une substance inflammable (comme des chiffons de nettoyage, des vadrouilles, des serviettes utilisées dans les salons de coiffure, etc.), à moins qu'ils aient été débarrassés de toute trace et de toute vapeur de substance inflammable. On utilise à la maison de nombreux produits inflammables : acétone, alcool dénaturé, essence, kérosène, nettoyeurs ménagers, détachants, térébenthine, cire, décapants, contenant du distillat de pétrole.
- La lessive peut atténuer les propriétés ignifugeantes des tissus. Pour éviter cette situation, suivez à la lettre les directives données par le fabricant du vêtement.
- Ne faites pas sécher des articles contenant du caoutchouc, du plastique, de la mousse ou autres matériaux similaires (comme des soutiens-gorge préformés, des chaussures de tennis, des caoutchoucs, des tapis de bain, des carpettes, des bavoirs, des culottes de bébé, des sacs de plastique, des oreillers, etc.), car ces matériaux peuvent fondre ou brûler. De plus, dans certaines circonstances, certains matériaux de caoutchouc peuvent causer un incendie par combustion spontanée lorsqu'ils sont chauffés.
- Ne rangez pas des articles qui peuvent fondre ou brûler, comme du plastique, du papier, ou des vêtements sur le dessus de la sècheuse pendant qu'elle fonctionne.
- Les vêtements portant la mention «Faire sécher loin de la chaleur» ou «Ne pas faire sécher par culbutage» (comme les gilets de sauvetage contenant du Kapok) ne doivent pas être séchés dans votre sècheuse.
- Ne faites pas sécher d'articles en fibre de verre dans votre sècheuse. Les particules qui restent dans la sècheuse et qui pourraient être recueillies par les vêtements lors d'un séchage subséquent risquent de causer des irritations cutanées.
- Pour réduire les risques de chocs électriques, débranchez toujours l'appareil ou coupez l'alimentation électrique au panneau de distribution en enlevant le fusible ou en déclenchant le disjoncteur avant de le réparer ou de le nettoyer (sauf pour enlever et nettoyer le filtre à charpie). **REMARQUE :** Le fait d'appuyer sur **START/PAUSE (MISE EN MARCHÉ/PAUSE)** ou **POWER (ALIMENTATION)** NE coupe PAS l'alimentation électrique à l'appareil.
- Si vous apercevez de l'eau sur le plancher autour de la sècheuse, appelez le service à la clientèle.

MESURES DE SÉCURITÉ IMPORTANTES. LISEZ D'ABORD TOUTES LES DIRECTIVES.

⚠ AVERTISSEMENT!



LORSQUE VOUS UTILISEZ LA SÈCHEUSE (SUITE)

- Ne faites pas fonctionner l'appareil s'il est endommagé, défectueux, partiellement démonté ou si des pièces sont manquantes ou défectueuses, ou si le cordon d'alimentation ou la fiche sont endommagés.
- L'intérieur de l'appareil et le raccord du conduit d'évacuation à l'intérieur de la sècheuse doivent être nettoyés une fois par an par une personne qualifiée. Voyez les Conseils pour le tri et le chargement en page 62.
- Si votre sècheuse fonctionne au gaz, elle est pourvue d'un système d'allumage électrique automatique et ne possède pas de veilleuse. **N'ESSAYEZ PAS DE L'ALLUMER AVEC UNE ALLUMETTE.** Vous risquez de vous brûler si vous approchez votre main du brûleur et que le dispositif d'allumage automatique s'allume.
- Ne pas ouvrir la porte de la sècheuse durant les cycles de vapeur. La vapeur est très chaude, et continuera de s'échapper du port plusieurs secondes après l'ouverture de la porte. Ne pas toucher le port de vapeur après un cycle de vapeur.
- Ne pas utiliser le cycle vapeur avec des items tel que : laine, cuir, soie, lingerie, produits mousse ou couvertures électriques.
- Ne pas utiliser les cycles vapeur avec les nouveaux vêtements sans un premier lavage.
- Il est possible que vous désiriez assouplir votre lessive ou réduire le collement électrostatique en utilisant un assouplissant textile dans votre sècheuse ou un produit antistatique. Nous vous recommandons d'utiliser un assouplissant liquide au cours du programme de lavage, conformément aux directives du fabricant de ce type de produit, ou de faire l'essai d'un assouplissant textile pour la sècheuse, pour lequel le fabricant certifie sur l'emballage que son produit peut être utilisé en toute sécurité dans la sècheuse. La responsabilité des problèmes de rendement ou de fonctionnement qui ne sont pas couverts par la garantie de cet appareil et sont attribuables à l'utilisation de ces produits relève du fabricant de ces produits.
- Ne jamais tenter d'utiliser les cycles Steam Dewrinkle (Vapeur Anti Froissage) ou Steam Refresh (Vapeur Rafrâichissante) sans vêtements dans le tambour. De plus, il est hautement recommandé de sélectionner la bonne taille de brassée pour de meilleurs résultats. Sélectionner des cycles pour de grosses brassées pour des petites brassées pourrait mouiller les vêtements et sélectionner des cycles de petites brassées pour des grosses brassées pourrait résulter en une mauvaise performance d'anti froissage.



LORSQUE VOTRE SÈCHEUSE N'EST PAS EN MARCHÉ

- Lorsque vous débranchez l'appareil, tirez sur la fiche et non pas sur le cordon afin d'éviter d'endommager le cordon d'alimentation. Installez le cordon de sorte que personne ne marche ou ne trébuche dessus, ou qu'il ne soit pas exposé à des dommages.
- Avant de jeter ou d'entreposer une sècheuse, enlevez toujours la porte afin d'empêcher les enfants de se cacher à l'intérieur.
- Ne trafiquez pas les commandes de l'appareil.
- Ne réparez ou ne remplacez aucune pièce de cet appareil, à moins que cela ne soit spécifiquement recommandé dans le présent manuel ou dans des directives de réparation que vous comprenez et que vous êtes en mesure de suivre.



VEUILLEZ LIRE ET SUIVRE ATTENTIVEMENT CES MESURES DE SÉCURITÉ.

CONSERVEZ CES DIRECTIVES

⚠ AVERTISSEMENT! Afin de réduire le risque d'incendie, de décharge électrique, ou de blessure, lisez les **MESURES DE SÉCURITÉ IMPORTANTES** avant de mettre cet appareil en marche.

Dans ce manuel, les caractéristiques et l'apparence peuvent varier selon votre modèle.

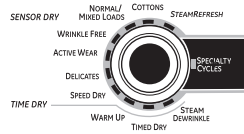
Démarrage

Si l'écran est noir, appuyez sur la touche **POWER (ALIMENTATION)** afin de réactiver l'affichage.

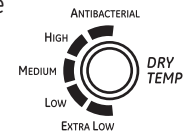
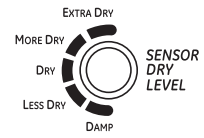
- 1 Appuyez sur la touche **POWER (ALIMENTATION)**.



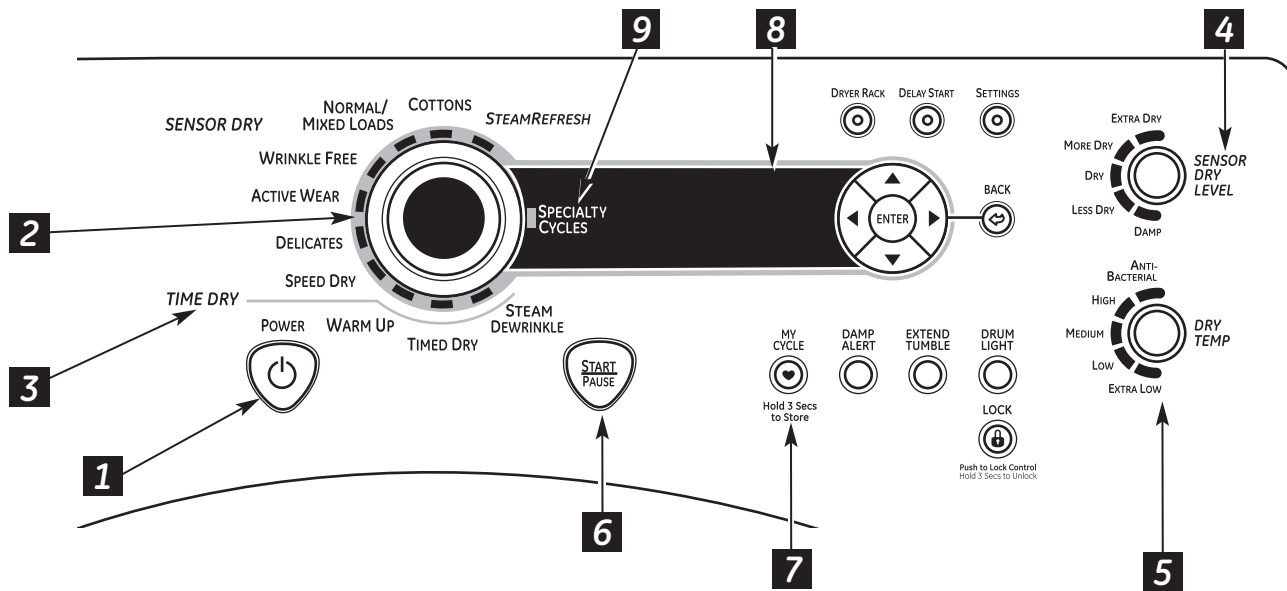
- 2 Sélectionnez un cycle en tournant le bouton **Cycle**.



Si vous avez sélectionné **TIMED DRY CYCLE (CYCLE DE SÉCHAGE MINUTÉ)** – sélectionnez le réglage de chaleur et la durée que vous désirez pour le séchage de vos articles en utilisant les touches du curseur. Appuyez ensuite sur la touche **START/PAUSE (MISE EN MARCHE/PAUSE)**.



- 3 Si vous avez sélectionné **SENSOR CYCLE (CYCLE PAR CAPTEUR)** – appuyez simplement sur la touche **START/PAUSE (MISE EN MARCHE/PAUSE)**.



- 1 **Power (alimentation)**
Appuyez sur cette touche pour « allumer » l'écran. Si l'écran est actif, appuyez pour éteindre la sècheuse.

REMARQUE : Le fait d'appuyer sur **POWER (ALIMENTATION)** ne coupe pas l'alimentation électrique à l'appareil.

A propos du panneau de contrôle de la sècheuse.

2 Dry Cycles (cycles de séchage)

Le cycle de séchage contrôle la durée du processus de séchage. Le tableau ci-dessous vous aidera à trouver le bon réglage de séchage en fonction de votre brassée.

Cycles par capteur

COTTONS (cotons)	Pour les cotons et la plupart des articles en toile.
NORMAL/ MIXED LOAD (charge normale/ mixte)	Pour les brassées constituées de cotons et de mélanges de polyester.
WRINKLE FREE (infroissables)	Pour les articles infroissables/entretien facile et sans repassage.
ACTIVE WEAR (vêtements de sport)	Pour les vêtements de sports, d'exercice et certains vêtements décontractés. Les tissus bénéficient de finitions en nouvelle technologie et sont composés de fibres élastiques comme le Spandex.
DELICATES (délicats)	Pour la lingerie et les tissus délicats.
SPEED DRY (séchage rapide)	Pour les petites brassées qui doivent être séchées rapidement, comme les tenues de sport ou les uniformes d'école. Ce cycle peut aussi être utilisé si le cycle précédent a laissé quelques articles encore humides, comme des cols ou des ceintures.

Timed Dry Cycles (cycles de séchage minuté)

STEAM REFRESH (vapeur rafraîchissante)	Pour des vêtements secs légèrement froissés. Réduit de façon significative les plis sur 1 à 5 vêtements. Sélectionnez un plus grand nombre de vêtements pour le cycle (par exemple, sélectionner une brassée de 5 morceaux de vêtements pour une brassée de 1 morceaux de vêtement) pourrait mouiller les vêtements. Après le Cycle SteamRefresh, l'unité émettra un bip et affichera "Garments Ready" (Vêtements Prêts) et « 0 :00 ». Si l'unité n'est pas fermée ou si la porte n'est pas ouverte, la sècheuse continuera le culbutage pendant 30 minutes. À la fin des 30 minutes, il sera affiché « 0 :00 » et « Cycle Complete » (« 0 :00 » et « Cycle terminé »). Un seul article de tissu extrêmement léger peut nécessiter d'ajouter un article supplémentaire au cycle de vapeur rafraîchissante pour atteindre des résultats optimaux.
STEAM DEWRINKLE (défroisser)	Pour utiliser avec des brassées plus grosses que le STEAM REFRESH. Idéal pour des brassées de vêtements qui ont été laissées dans la sècheuse pendant une longue période de temps. Sélectionnez un cycle plus important que nécessaire (par exemple, sélectionner Grosse Brassée pour une sècheuse à moitié pleine) pourrait mouiller les vêtements.
WARM UP (préchauffage)	Fournit 10 minutes de préchauffage des vêtements.

My Cycle (mon cycle) (sur certains modèles)

MY CYCLE (mon cycle)	Appuyez sur cette touche pour créer, modifier ou utiliser des cycles de séchage personnalisés.
---------------------------------	--

3 Timed Dry (séchage minuté)

Cette commande permet de définir son propre temps de séchage. La fonction **TIMED DRY (SÉCHAGE MINUTÉ)** est aussi recommandée pour les petites brassées.

Pour utiliser TIMED DRY (SÉCHAGE MINUTÉ) :

1. Tournez le cadran du cycle de séchage sur **TIMED DRY**.
2. Sélectionnez le temps de séchage en appuyant sur les touches ▲ et ▼. Vous pouvez augmenter la durée par intervalle de 10 minutes, et ce jusqu'à 2 heures et demie.
3. Sélectionnez la température de séchage (**DRY TEMP**).
4. Fermez la porte.
5. Appuyez sur **START/PAUSE (MISE EN MARCHE/PAUSE)**.

4 Sensor Dry Level (détection du niveau d'humidité)

Le détecteur surveille en permanence le niveau d'humidité dans le linge. Quand l'humidité dans vos vêtements atteint le niveau de séchage que vous avez choisi, la sècheuse s'arrête.

EXTRA DRY (extra sec)	Utilisé pour les tissus résistants ou les articles qui ont besoin d'être très secs, comme par exemple les serviettes.
MORE DRY (plus sec)	Utilisé pour les types de tissus lourds ou mélangés.
DRY (sec)	Utilisé pour un niveau de séchage normal adapté à la plupart des brassées. C'est le cycle recommandé pour un fonctionnement en économie d'énergie.
LESS DRY (moins sec)	Utilisé pour les tissus plus légers (idéal pour le repassage).
DAMP (humide)	Pour laisser les articles partiellement humides.

5 Dry Temp (température de séchage)

Vous pouvez modifier la température de votre cycle de séchage.

ANTI-BACTERIAL (anti-bactérien)

Cette option peut uniquement être utilisée avec les cycles **COTTONS (COTONS)** ou **MIXED LOAD (CHARGE MIXTE)**. Cette option permet de diminuer de 99,9 % la possibilité que certains types de bactéries soient présentes, parmi lesquelles : *Staphylococcus aureus*, *Pseudomonas aeruginosa* et *Klebsiella pneumoniae**. Le processus antibactérien se produit quand des températures élevées sont mises en oeuvre pendant une partie de ce cycle de séchage.

REMARQUE : N'utilisez pas ce cycle pour des tissus délicats.

* Le cycle antibactérien (Anti-Bacterial) est certifié par NSF International (autrefois appelé National Sanitation Foundation) conformément au Protocole P154 de NSF sur les performances sanitaires des sècheuses domestiques.



Protocole P154 de NSF
sur les performances sanitaires
des sècheuses domestiques

HIGH (haute)	Pour les cotons normaux à lourds.
MEDIUM (moyenne)	Pour les synthétiques, les mélanges et les articles étiquetés sans repassage.
LOW (basse)	Pour les tissus délicats, synthétiques et les articles étiquetés <i>Tumble Dry Low (séchage par culbutage à basse température)</i> .
EXTRA LOW (extra basse)	Pour la lingerie et les tissus délicats.

6 START/PAUSE (MISE EN MARCHÉ/PAUSE)

Appuyez sur cette touche pour lancer un cycle de séchage. Si la sècheuse est déjà en fonctionnement, le fait d'appuyer sur cette touche interrompt le cycle en cours. Appuyez encore sur la touche pour reprendre le cycle de séchage.

7 MY CYCLE (My Cycle (mon cycle) (sur certains modèles)



Configurez votre propre combinaison de réglages et enregistrez-la ici pour ensuite la lancer d'une touche. Cette configuration personnalisée peut être définie pendant qu'un cycle est en cours.

Pour enregistrer une combinaison de réglages MY CYCLE (MON CYCLE) :

1. Sélectionnez un cycle de séchage.
2. Changez les réglages **DRY TEMP** et **SENSOR DRY LEVEL** afin de répondre à vos besoins.
3. Sélectionnez toutes les **OPTIONS** de séchage souhaitées.
4. Appuyez sur la touche **MY CYCLE (MON CYCLE)** et maintenez-la enfoncée pendant trois secondes pour sauvegarder votre sélection. Un bip retentira et la touche s'illuminera.

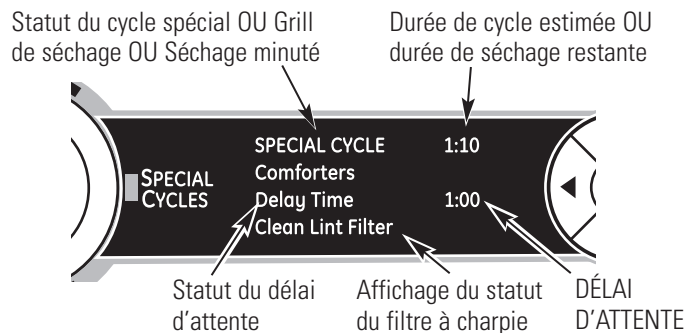
Pour lancer votre combinaison MY CYCLE (MON CYCLE) enregistrée :

Appuyez sur la touche **MY CYCLE (MON CYCLE)** avant de sécher une brassée. La lumière autour de la touche s'illuminera quand **MY CYCLE (MON CYCLE)** est sélectionné.

Pour modifier votre combinaison MY CYCLE (MON CYCLE) enregistrée :

Suivez les étapes 1 à 4 dans la section « **Pour enregistrer une combinaison de réglages MY CYCLE (MON CYCLE)** ».

8 Display (affichage)



« **CLEAN LINT FILTER** » (Nettoyer le filtre à charpie) (message)

Ce message reste à l'écran pendant 15 minutes après la fin du cycle. Ce message est uniquement un rappel. 57

A propos du panneau de contrôle de la sècheuse.

9

Specialty Cycles (cycles spéciaux)

1. Tournez le bouton **CYCLE** sur **SPECIAL CYCLES**. Une liste d'options de cycle apparaîtra à l'écran.
2. Sélectionnez une **CATEGORY (CATÉGORIE)** en appuyant les touches de curseur.
3. Sélectionnez un **CYCLE** en appuyant les touches de curseur.
Appuyez sur la touche **BACK (RETOUR)** pour retourner aux **CATÉGORIES**.
4. Appuyez sur **ENTER (ENTRÉE)** pour effectuer une sélection.
5. Appuyez sur la touche **START/PAUSE (MISE EN MARCHÉ/PAUSE)**.

Les cycles spéciaux (**SPECIALTY CYCLES**) comprennent :

Vêtements

- Bas/soutiens-gorge (utilisez un filet)
- Jeans
- Kakis
- Manteaux

Literie et salle de bain

- Couvertures (coton)
- Draps
- Édredons
- Serviettes

Autres articles spéciaux

- Action bouffante
- Coton fragile
- Dryel
- Grille de séchage
- Literie pour animaux domestiques
- Molleton
- Petits tapis
- Sac de couchage
- Séchoir
- Tissus performants
- Vêtements de Jeux

Cycles reliés à la laveuse

Pour mettre la communication en route, appuyez sur la touche **SETTINGS (RÉGLAGES)** sur le panneau de commande de la laveuse. Quand « DRYER LINK » (connexion à la sècheuse) apparaît à l'écran, appuyez sur **ENTER (ENTRÉE)**. Sélectionnez ON en utilisant les flèches ; appuyez ensuite sur **ENTER**.

Quand le cycle de la laveuse est terminé, ce dernier communiquera avec la sècheuse quand n'importe quelle touche du panneau de commande est enfoncée ou quand la porte est ouverte.

La laveuse affichera « TRANSFERRING CYCLE INFORMATION TO THE DRYER » (Transfert des informations du cycle vers la sècheuse en cours) et la sècheuse affichera « RECEIVING CYCLE INFORMATION TO THE DRYER » (Réception des informations du cycle par la sècheuse en cours).

La sècheuse communiquera uniquement avec la laveuse s'il n'y a aucun cycle en cours.

Si la laveuse démarre un nouveau cycle avant que la sècheuse n'ait pu communiquer avec elle, les informations seront perdues.

Options de cycle.

REMARQUE : Certaines caractéristiques peuvent ne pas être offertes sur tous les modèles de sècheuses.

www.electromenagersge.ca

EXTEND TUMBLE



Extend Tumble (Culbutage prolongé)

Réduit les faux plis au maximum en ajoutant environ 60 minutes de culbutage sans chaleur une fois que les vêtements sont secs. L'avertisseur retentira toutes les 2 minutes afin de vous rappeler de retirer les vêtements. L'affichage « **ESTIMATED TIME REMAINING** » (TEMPS RESTANT ESTIMÉ) affichera 00.

La lumière autour de la touche s'illuminera quand **EXTEND TUMBLE (CULBUTAGE PROLONGÉ)** est sélectionné.

Extend Tumble (Culbutage Prolongé) est automatiquement sélectionné pour le cycle SteamRefresh et ne pas pas être dé-sélectionner. La sècheuse émettra un bip et affichera « Garments Ready » (Vêtements Prêt) lorsque le cycle SteamRefresh est terminé. La sècheuse continuera en Extend Tumble jusqu'à la porte soit ouverte.

DAMP ALERT



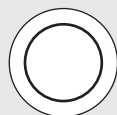
Damp Alert (Alerte d'humidité)

Cette option fait sonner la sècheuse quand les vêtements ont été séchés jusqu'à un certain niveau d'humidité. Retirez les articles que vous souhaitez étendre pour sécher. **DAMP ALERT (L'ALERTE DU NIVEAU D'HUMIDITÉ)** retentira uniquement quand cette option est sélectionnée.

Le fait de retirer les vêtements et les étendre quand ils sont humides peut diminuer le besoin de repasser certains articles.

La lumière autour de la touche s'illuminera quand l'option **DAMP ALERT** est sélectionnée.

DRUM LIGHT



Drum Light (Lumière du tambour)

Appuyez sur cette touche pour allumer la lumière de la sècheuse.

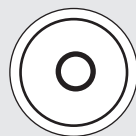
Appuyez à nouveau sur cette touche pour éteindre la lumière.

Ceci contrôle la lumière uniquement quand la porte est fermée. **REMARQUE : La lumière s'éteindra automatiquement après une minute lors que la porte est fermée.**

Quand la porte est ouverte, la lumière s'allume automatiquement.

Le voyant autour de la touche s'illuminera quand **DRUM LIGHT** est sélectionné.

DELAY START



Delay Start (Mise en marche différée)

Utilisez pour retarder le démarrage de votre sècheuse.

1. Sélectionnez votre cycle de séchage et toutes les options.
2. Appuyez sur **DELAY START (MISE EN MARCHÉ DIFFÉRÉE)**. Vous pouvez changer le délai d'attente par intervalles de 30 minutes en utilisant les flèches ▲ ou ▼.
3. Appuyez sur la touche **START/PAUSE (MISE EN MARCHÉ/PAUSE)** pour lancer le compte à rebours.

Le compte à rebours sera indiqué sur l'affichage « **ESTIMATED TIME REMAINING** » (TEMPS RESTANT ESTIMÉ).

REMARQUES :

- Si la porte est ouverte alors que la sècheuse est en mode **DELAY (MISE EN MARCHÉ DIFFÉRÉE)**, le compte à rebours ne redémarrera pas sauf si la porte est fermée et que la touche **START/PAUSE (MISE EN MARCHÉ/PAUSE)** est à nouveau enfoncée.
- Vous pouvez retarder le démarrage d'un cycle de séchage jusqu'à 24 heures.

La lumière autour de la touche s'illuminera quand **DELAY START (MISE EN MARCHÉ DIFFÉRÉE)** est sélectionné.

LOCK



Lock (Verrouillage)

Vous pouvez verrouiller les commandes pour en éviter la sélection. Ou vous pouvez verrouiller les commandes après le démarrage d'un cycle.

Avec cette option sélectionnée, les enfants ne peuvent plus démarrer la sècheuse accidentellement en appuyant sur les touches.

Pour verrouiller la sècheuse, appuyez sur la touche **LOCK (VERROUILLAGE)**. Pour déverrouiller la sècheuse, appuyez sur la touche **LOCK** et maintenez-la enfoncée pendant 3 secondes.

Le voyant autour de la touche **LOCK** s'illuminera quand les commandes sont verrouillées.

Même si les commandes sont verrouillées, la touche **POWER (ALIMENTATION)** est encore active au cas où vous auriez besoin d'éteindre l'unité.

Appuyez pour verrouiller la commande. Maintenez enfoncé pendant 3 secondes pour déverrouiller.

Options de cycle.

REMARQUE : Certaines caractéristiques peuvent ne pas être offertes sur tous les modèles de sècheuses.

SETTINGS



Settings (Réglage)

Dans l'option **SETTINGS (RÉGLAGE)**, vous pouvez ajuster le volume ou la luminosité de l'affichage.

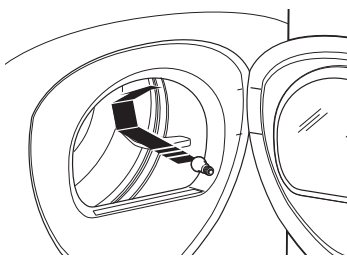
VOLUME

- Le volume du signal de fin de cycle peut être réglé sur **HIGH (HAUT)**, **MED (MOYEN)**, **LOW (BAS)** ou **OFF (ARRÊT)**.
- Le volume de la tonalité des commandes peut être réglé sur **HIGH**, **MED**, **LOW** ou **OFF**.

La luminosité de l'affichage (DISPLAY BRIGHTNESS) peut être réglée sur **HIGH**, **MED** ou **LOW**.

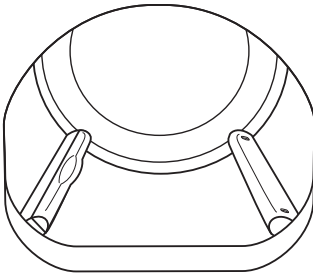
Une fois que vous avez effectué votre sélection, appuyez sur **ENTER (ENTRÉE)**.

À propos des caractéristiques de la sècheuse.



Lumière de tambour

Avant de remplacer l'ampoule, assurez-vous de débrancher le cordon d'alimentation de la sècheuse ou de couper l'alimentation au panneau de distribution électrique en enlevant le fusible ou en déclenchant le disjoncteur. Accédez au dessus de l'ouverture de la sècheuse depuis l'intérieur du tambour. Retirez l'ampoule et remplacez-la par une ampoule de même taille.



« Built-In Rack Dry System »

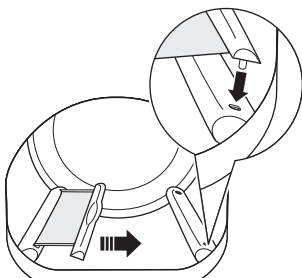
Un support de séchage pratique peut être utilisé pour sécher des articles comme les chaussures de tennis. Placez les articles à plat sur le support de séchage et bloquez les pulls en laine ou les tissus délicats. Séchez à faible chaleur.

Pour installer le « Built-In Rack Dry System »

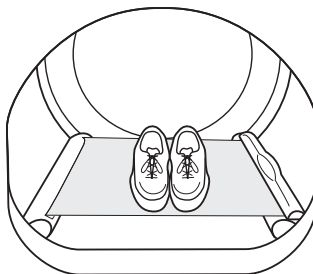
1. Assurez-vous que le tambour de la sècheuse est orienté de sorte que le système de support de séchage se trouve sur le côté gauche de la sècheuse.
2. Tirez sur le support de séchage du côté gauche et engagez les "tiges" de la poignée dans les fentes se trouvant à l'opposé.
3. Placez le vêtement sur le support et fermez la porte.
4. Appuyez sur la touche **DRYER RACK (GRILLE DE SÉCHAGE)**.
5. Sélectionnez le temps désiré.
6. Appuyez sur la touche **START/PAUSE (MISE EN MARCHÉ/PAUSE)**.

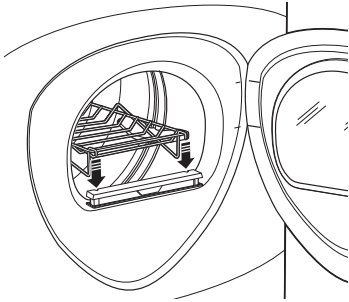
REMARQUE :

- N'utilisez pas ce support de séchage quand d'autres vêtements sont dans la sècheuse.
- Assurez-vous de détacher le support de séchage à la fin du cycle et rabattez entièrement le support de séchage à l'intérieur du déflecteur.



Enfoncez les potences





Grille de séchage (accessoire en option)

Une grille de séchage portable peut être utilisée pour sécher des articles comme des pulls lavables. Placez les articles à plat sur la grille de séchage et bloquez les pulls en laine ou les tissus délicats. Séchez à faible chaleur.

Pour installer la grille de séchage, tirez légèrement le filtre à charpie vers le haut. Insérez la grille de séchage dans les fentes, puis remettez le filtre en place.

REMARQUE :

- La grille de séchage doit être utilisée avec les cycles **TIMED DRY (SÉCHAGE MINUTÉ)** ou **RACK DRY (GRILLE DE SÉCHAGE)** (sur certains modèles).
- N'utilisez pas cette grille de séchage si d'autres articles sont présents dans la sècheuse.



Utilisation du crochet incorporé pour accrocher des vêtements

1. Assurez-vous que le tambour de la sècheuse est orienté de sorte que le crochet soit situé sur la partie supérieure centrale de la sècheuse.
2. En utilisant votre doigt, retirez le crochet de la fente.
3. Accrochez le vêtement sur un cintre, accrochez ce dernier sur le crochet et fermez la porte.
4. Appuyez sur la touche **DRYER RACK (GRILLE DE SÉCHAGE)**.
5. Sélectionnez le temps désiré.
6. Appuyez sur la touche **START/PAUSE (MISE EN MARCHÉ/PAUSE)**.

Reverse Tumble^{MC}

Toutes les sècheuses à chargement frontal Profile sont dotées de la fonction Reverse Tumble^{MC}, une option incorporée au système Duo Dry Plus^{MC}. En inversant le sens de rotation du tambour pendant le cycle de séchage, votre sècheuse mélangera moins votre linge, le séchera de façon plus homogène et écourtera le séchage. Les charges habituelles telles que celles composées de draps, de serviettes de bain et de housses sont les premières à profiter de cette fonctionnalité. Lorsque la sècheuse inverse le culbutage, une courte pause s'amorce et le bruit émis par la machine change. Ne vous inquiétez pas, c'est normal. Tous les cycles de la sècheuse utilisent cette fonctionnalité, sauf lorsque l'option de séchage à l'aide du support ou de la grille de séchage est sélectionnée, auquel cas le tambour ne tourne pas.

Utilisation de la sècheuse.

Suivez toujours l'étiquette du fabricant de tissus pour laver.

Conseils pour le tri et le chargement

En règle générale, lorsque les vêtements sont correctement triés pour le lavage, ils le sont aussi pour le séchage. Essayez aussi de trier les articles en fonction de leur taille. Par exemple, ne séchez pas un drap avec des chaussettes ou d'autres petits articles.

N'ajoutez pas votre feuille d'assouplissant textile lorsque la brassée a commencé à chauffer, car elle risque de provoquer des taches d'assouplissant. Les feuilles d'assouplissant de tissus Bounce^{MD} pour sècheuses ont été

approuvées pour cette sècheuse si elles sont utilisées conformément aux instructions du fabricant.

Voir ci-dessous pour les consignes de nettoyage du filtre à charpie.





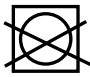







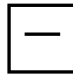
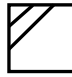
Ne surchargez pas. Ceci consomme inutilement de l'énergie et cause des faux plis.

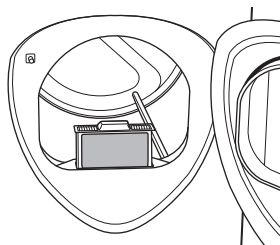
Ne séchez pas les articles suivants : Articles en fibre de verre, lainages, articles recouverts de caoutchouc, plastiques, articles dotés d'une garniture en plastique, articles remplis de mousse de caoutchouc.

Étiquettes d'entretien de tissu

Ci-dessous figurent les « symboles » des étiquettes d'entretien de tissu qui concernent le linge à sécher.

Étiquettes de séchage

Séchage par culbutage						
	Séchage	Normal	Sans repassage/ infroissables	Doux/délicat	Ne pas sécher par culbutage	Ne pas sécher (utilisé avec ne pas laver)
Réglage de chaleur						
	Haut	Moyen	Bas	Pas de chaleur/ aération		
Instructions spéciales						
	Sécher en suspendant après essorage	Sécher par égouttage	Sécher à plat	Sécher à l'ombre		



Entretien et nettoyage de la sècheuse

Intérieur de la sècheuse et conduit :

L'intérieur de la machine et du conduit d'évacuation doit être nettoyé une fois par an par du personnel de service qualifié.

Extérieur : Essayez les produits de lessive renversés, et enlevez la poussière avec un linge humide. Le fini et le panneau de contrôle de la sècheuse peuvent être endommagés par certains produits de traitement préliminaire et détachants. Appliquez ces produits loin de la sècheuse. Vous pouvez ensuite laver et faire sécher les vêtements normalement. Les dommages causés à votre sècheuse par ces produits ne sont pas couverts par votre garantie.

Ne touchez pas la surface ou l'écran avec des objets pointus.

Filtre à charpie : Nettoyez le filtre à charpie avant chaque utilisation. Sortez-le en le tirant vers le haut. Faites passer vos doigts sur le filtre. Un amas cireux peut se former sur le filtre à charpie à cause de l'utilisation des feuilles d'assouplissant textile. Pour éliminer cet amas, lavez le filtre à l'eau chaude savonneuse.

Séchez-le soigneusement et remplacez-le. N'utilisez pas la sècheuse sans le filtre à charpie en place.

Aspirez la charpie de la zone du filtre à charpie si vous remarquez une modification des performances de la sècheuse.

Acier inoxydable : Pour nettoyer les surfaces en acier inoxydable, utilisez un chiffon humidifié avec un nettoyant doux et non abrasif, adapté aux surfaces en acier inoxydable. Éliminez les résidus de nettoyant, puis séchez avec un chiffon propre.

L'acier inoxydable utilisé pour fabriquer le tambour de séchage fournit la plus haute fiabilité disponible dans une sècheuse GE. Si le tambour de séchage est rayé ou ébréché pendant une utilisation normale, le tambour ne rouillera pas ou ne se corrodéra pas. Ces défauts de surface n'affecteront pas le fonctionnement ou la durabilité du tambour.

Évent d'évacuation : Vérifiez avec un miroir que les volets à l'intérieur de l'évent se déplacent librement lors du fonctionnement. Assurez-vous qu'aucun animal (oiseaux, insectes, etc.) ne s'est introduit dans le conduit ou l'évent.

Instructions d'installation

Sécheuse

DPVH890 et UPVH890

Si vous avez des questions, appelez 800.GE.CARES ou visitez notre site web: www.ge.com
Au Canada, appelez le 1.800.561.3344 ou visitez electromenagersge.ca

AVANT DE COMMENCER

Lisez ces instructions entièrement et soigneusement.

- **IMPORTANT** – Conservez ces instructions pour l'inspecteur local.
- **IMPORTANT** – Observez tous les codes et les ordonnances en vigueur.
- Installez la sécheuse conformément à la réglementation locale et aux consignes du fabricant.
- **Note à l'installateur** – Assurez-vous de laisser ces instructions au consommateur.
- **Note au consommateur** – Conservez ces instructions à titre de référence.
- L'installation de la sécheuse doit être effectuée par un technicien qualifié.
- L'air de cette sécheuse **doit** être évacué vers l'extérieur.
- Avant d'enlever ou de jeter une ancienne sécheuse, démontez la porte de la sécheuse.
- Les informations de service et le diagramme de câblage sont situés dans la console de commande.
- N'autorisez pas les enfants à monter ou à entrer dans la machine. Une surveillance rapprochée est nécessaire lorsque la machine est utilisée à proximité d'enfants.
- L'installateur est responsable de bien installer cet appareil.
- Toute panne de produit due à une mauvaise installation n'est pas couverte par la garantie.
- Afin de réduire le risque de blessure importante ou de décès, suivez toutes les consignes d'installation.

POUR VOTRE SÉCURITÉ :

⚠ AVERTISSEMENT – Risque d'incendie

- Utilisez uniquement des conduits métalliques souples ou rigides, d'un diamètre de 10,2 cm (4 pouces), pour l'évacuation à l'extérieur. N'utilisez jamais de conduit en plastique ou d'un autre matériau combustible, facile à percer.
- N'installez pas une sécheuse avec des matériaux d'évacuation en plastique flexible. Si un conduit en métal flexible (de type « feuille ») est installé, il doit être d'un type spécifique identifié par le fabricant de l'appareil comme étant approprié pour l'utilisation avec la sécheuse. Les matériaux d'évacuation flexibles sont reconnus comme pouvant facilement se plier, être écrasés et piéger la charpie. Ces conditions entraîneront l'obstruction du flux d'air de la sécheuse et augmenteront le risque d'incendie.
- Cet électroménager doit être convenablement mis à la terre et installé de la façon décrite aux Instructions d'installation.
- N'installez pas ou n'entreposez pas cet appareil dans un endroit où il sera exposé à l'eau/aux intempéries.
- Le Code national du gaz des É.-U. restreint l'installation d'appareils utilisant le gaz dans les garages. Ils doivent se trouver à 45,7 cm (18 po) du sol et protégés des véhicules par une cloison.
- Installez la sécheuse dans un endroit où la température est supérieure à 10°C (50°F) pour un bon fonctionnement du système de contrôle de la sécheuse.

POUR LES MODÈLES À GAZ UNIQUEMENT :

REMARQUE : L'installation et la maintenance de cette sécheuse doivent être réalisées par un installateur qualifié, une agence de service ou le fournisseur de gaz.

Dans le Commonwealth du Massachusetts :

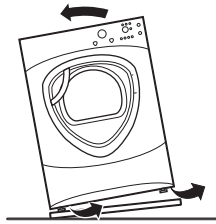
- Ce produit doit être installé par un plombier ou un monteur d'installations au gaz licencié.
- Si vous utilisez des robinets d'arrêt du gaz à bille, ils doivent avoir une poignée en T.
- Si vous utilisez un raccord de gaz souple, il ne doit pas dépasser 1 m (3 pieds).

Instructions d'installation

DÉBALLAGE DE VOTRE SÉCHEUSE

Inclinez la sècheuse latéralement et enlevez les coussinets d'expédition en mousse en les poussant sur les côtés et en les détachant des pattes de la sècheuse. Assurez-vous d'enlever toutes les pièces en mousse autour des pattes.

Enlevez le sac contenant la grille de séchage, la documentation et le câble série.



EMPLACEMENT DE VOTRE SÉCHEUSE

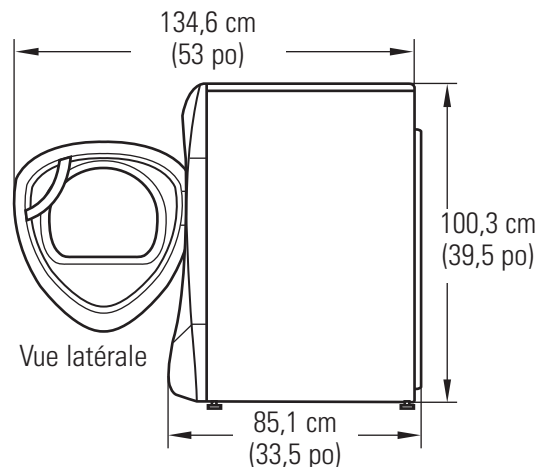
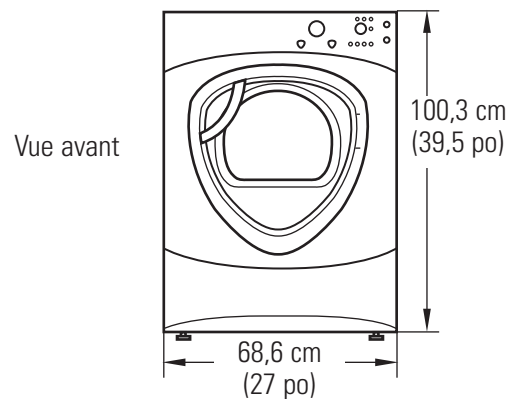
DÉGAGEMENTS MINIMUMS AUTRES QUE POUR UNE INSTALLATION ENCASTRÉE

Les dégagements minimums rapport aux surfaces combustibles et pour les orifices d'aération sont les suivants :

- un dégagement de 0 mm (0 po) des deux côtés
- 25 mm (1 po) à l'avant
- 75 mm (3 po) à l'arrière

Il est **nécessaire** de prévoir des dégagements appropriés pour le fonctionnement et l'entretien de la machine.

DIMENSIONS DE LA SÉCHEUSE



Instructions d'installation

EXIGENCES RELATIVES À UNE INSTALLATION ENCASTRÉE

- Votre sècheuse est homologuée pour une installation dans une alcôve ou dans un placard, comme l'indique l'étiquette figurant au dos de la sècheuse.
- L'air de la sècheuse DOIT être évacué vers l'extérieur. Consultez la section ÉVACUATION DE LA SÈCHEUSE.
- L'espace minimum entre la sècheuse et les murs adjacents ou d'autres surfaces est le suivant :
 - 0 mm (0 po) des deux côtés
 - 75 mm (3 po) avant et arrière
- La distance verticale minimum du sol aux étagères suspendues, armoires, plafonds, etc. de 132 cm (52 po).
- Les portes du placard doivent être perforées ou ventilées et doivent disposer d'un espace ouvert réparti de façon homogène d'au moins 1,5 m² (60 po carrés) de superficie. Si une laveuse et une sècheuse ont été installées dans le placard, les portes doivent disposer d'un espace ouvert réparti de façon homogène d'au moins 3 m² (120 po carrés).
- L'air du placard doit être évacué vers l'extérieur afin d'éviter la formation de poches de gaz si le tuyau d'alimentation de gaz transporte du gaz.
- Aucun autre appareil à combustible ne doit être installé dans le placard dans lequel se trouve la sècheuse (modèles à gaz uniquement).

REMARQUE : SI LE TUYAU D'ÉVACUATION EST SITUÉ À L'ARRIÈRE DE LA SÈCHEUSE, L'ESPACE MINIMUM PAR RAPPORT AU MUR EST DE 14 CM (5,5 PO).

INSTALLATION DANS UNE SALLE DE BAIN OU UNE CHAMBRE

- L'air de la sècheuse DOIT être évacué vers l'extérieur. Consultez la section ÉVACUATION DE LA SÈCHEUSE.
- L'installation doit être conforme aux normes locales ou, en l'absence de normes locales, avec le CODE NATIONAL DE L'ÉLECTRICITÉ, ANSI/NFPA N° 70 (pour les sècheuses électriques) ou le CODE NATIONAL DU GAZ, ANSI Z223 (pour les sècheuses à gaz).

INSTALLATION DANS UNE MAISON MOBILE OU PRÉFABRIQUÉE

- L'installation doit être conforme à la NORME DE SÉCURITÉ POUR LA CONSTRUCTION DE MAISONS FABRIQUÉES, TITRE 24, PARTIE 32-80 ou, si la norme n'est pas applicable, à la NORME NATIONALE AMÉRICAINE POUR LES MAISONS MOBILES N° 501B.
- L'air de la sècheuse DOIT être évacué vers l'extérieur avec les raccordements correctement fixés à la structure de la maison mobile. (Voyez ÉVACUATION DE LA SÈCHEUSE.)
- La ventilation NE DOIT PAS déboucher sous une maison mobile ou fabriquée.
- Le matériau du tuyau de ventilation DOIT ÊTRE LE MÉTAL.
- POUR LES MODÈLES À GAZ UNIQUEMENT : L'ensemble 14-D346-33 DOIT être utilisé pour raccorder la sècheuse à la structure.
- POUR LES MODÈLES À GAZ UNIQUEMENT : La ventilation NE DOIT PAS être raccordée à tout autre tuyau, évent ou cheminée.
- N'utilisez pas de vis à tôle ni d'autres dispositifs de serrage qui dépassent à l'intérieur de l'évent d'évacuation.
- Prévoyez une ouverture dotée d'une zone ouverte de 63 cm² (25 pouces carrés) pour l'infiltration d'air extérieur dans la pièce de la sècheuse.

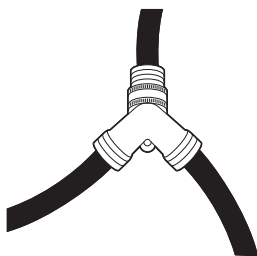
BRANCHEMENT DES BOYAUX D'ARRIVÉE

BRANCHEMENT DES BOYAUX D'ARRIVÉE

Pour produire de la vapeur, la sècheuse doit être branchée à une alimentation d'eau froide. Puisque la laveuse doit aussi être branchée à une alimentation d'eau froide, un connecteur en « Y » est inséré, afin de permettre aux boyaux d'arrivée d'être brancher au même moment.

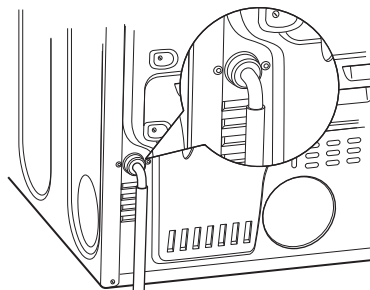
REMARQUE : Utilisez les boyaux d'arrivée fournis, ne jamais utiliser de vieux boyaux.

1. Fermez le robinet d'eau froide. Débranchez le boyau d'arrivée du connecteur du robinet de remplissage (froid).
2. Assurez-vous que la rondelle plate en caoutchouc est en place et vissez le raccord femelle du boyau court sur le connecteur du robinet de remplissage de la laveuse. Resserrez à la main jusqu'à ce qu'il soit bien serré. Resserrez à la main jusqu'à ce qu'il soit bien serré.
3. Raccordez l'extrémité femelle du connecteur en « Y » au raccord mâle du boyau court. Assurez-vous que la rondelle plate en caoutchouc est en place. Resserrez à la main jusqu'à ce qu'il soit bien vissé.



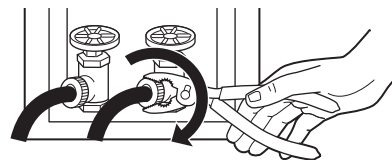
4. Insérez la grille de filtre dans le raccord du boyau d'arrivée de la **laveuse**. Si une rondelle plate en caoutchouc est déjà en place, retirez-la avant d'installer la grille de filtre. Raccordez ce raccord à une extrémité mâle du connecteur en « Y ». Resserrez à la main jusqu'à ce qu'il soit bien serré.
5. Assurez-vous que la rondelle plate en caoutchouc est en place et raccordez le boyau d'arrivée long de la **sècheuse** à l'autre extrémité mâle du connecteur en « Y ». Resserrez à la main jusqu'à ce qu'il soit bien serré.
6. Assurez-vous que la rondelle plate en caoutchouc est en place et raccordez l'autre extrémité du boyau d'arrivée long de la **sècheuse** au connecteur du robinet de remplissage dans le bas du panneau arrière de la sècheuse. Resserrez à la main jusqu'à ce qu'il soit bien serré.

BRANCHEMENT DES BOYAUX D'ARRIVÉE (suite)



7. En utilisant des pinces, resserrez toutes les connexions avec un tour au deux-tiers.

REMARQUE : Ne pas trop serrer. Vous pourriez endommager les connexions.



8. Ouvrez le robinet d'eau.
9. Vérifiez l'absence de fuites autour du connecteur en « Y », du robinet et des raccords de boyau.

EXIGENCES DE L'ALIMENTATION D'EAU



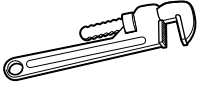


Les robinets d'eau chaude et d'eau froide DOIVENT être installés à une distance d'au moins 42 po (107 cm) du boyau d'eau de la laveuse. Les robinets DOIVENT être de type boyau de jardin de 3/4 po (1,9 cm) pour que les boyaux d'arrivée puissent être branchés. La pression de l'eau DOIT être entre 10 et 120 livres par pouce carré. Votre département d'eau peut vous laisser savoir ce qu'est votre pression d'eau.

REMARQUE : Un adoucisseur d'eau est recommandé pour réduire l'accumulation de dépôt à l'intérieur du générateur de vapeur si l'alimentation d'eau de la maison est très dure.


Instructions d'installation

RACCORDEMENT D'UNE SÈCHEUSE À GAZ (non applicable aux sècheuses électriques)

OUTILS NÉCESSAIRES

-  Clés à molette (2) 10 po
-  Tournevis à tête plate
-  Clé à tuyau 8 po
-  Niveau
-  Pince à joint coulissant

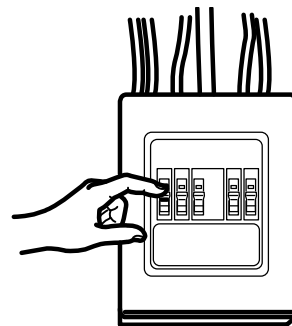
MATÉRIEL NÉCESSAIRE

-  Coude métallique 4 po de diamètre
-  Tuyau métallique souple 4 po de diamètre (si nécessaire)
-  Mastic pour joints de tuyaux
-  Gants
-  Tuyau de raccordement souple
-  Solution savonneuse pour la détection de fuites
-  Colliers de conduit (2) ou brides à ressort (2)
-  Événement d'évacuation
-  Lunettes de protection
-  Ruban adhésif
-  Tuyau métallique 4 po de diamètre (recommandé)

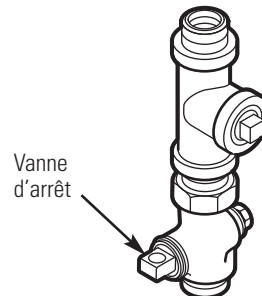
POUR VOTRE SÉCURITÉ :

⚠ AVERTISSEMENT

Avant de démarrer l'installation, déclenchez le disjoncteur ou enlevez le fusible de la sècheuse au panneau de distribution électrique. Assurez-vous que le cordon d'alimentation de la sècheuse est débranché de la prise murale.



Fermez la vanne d'arrêt du gaz de la sècheuse de la conduite d'alimentation.



Démontez et jetez l'ancien connecteur de gaz flexible et l'ancien conduit.



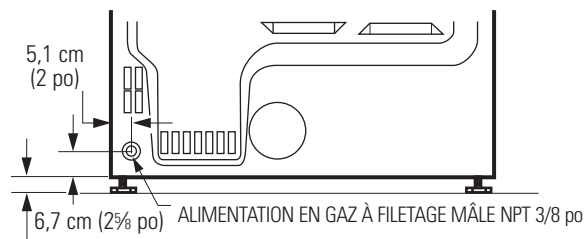
RACCORDEMENT D'UNE SÉCHEUSE À GAZ (suite)

EXIGENCES RELATIVES AU GAZ

⚠ AVERTISSEMENT

- L'installation doit être conforme aux normes et aux réglementations locales, ou sinon au CODE NATIONAL DU GAZ, ANSI Z223.
- Cette sècheuse à gaz est équipée d'un ensemble brûleur et vanne à utiliser uniquement avec du gaz naturel. Grâce à l'ensemble de conversion 14-A048, votre agence de service locale peut transformer cette sècheuse pour une utilisation avec du gaz propane (LP). TOUTES LES TRANSFORMATIONS DOIVENT ÊTRE RÉALISÉES PAR DU PERSONNEL FORMÉ ET QUALIFIÉ, EN CONFORMITÉ AVEC LES EXIGENCES DES NORMES ET DES RÉGLEMENTATIONS LOCALES.
- La sècheuse doit être débranchée du système d'alimentation en gaz pendant tout essai de pression de cet système, avec une pression d'essai supérieure à 0,5 lb/po² (3,4 KPa).
- La sècheuse doit être isolée du système d'alimentation en gaz en fermant la vanne d'arrêt, pendant tout essai de pression des conduites de gaz avec une pression d'essai égale ou supérieure à 0,5 lb/po² (3,4 KPa).

RACCORDEMENT DE L'ALIMENTATION EN GAZ DE LA SÉCHEUSE



REMARQUE : Ajoutez à la dimension verticale la distance entre le fond de la carrosserie et le sol.

ALIMENTATION EN GAZ

- Un robinet de raccordement à filetage National Pipe Taper 3,2 mm (1/8 po), accessible pour le raccordement d'un manomètre, doit être installé immédiatement en amont du raccord d'alimentation en gaz de la sècheuse. Contactez votre service de gaz local si vous avez des questions sur l'installation d'un robinet de raccordement.
- La conduite d'alimentation doit être composée d'un tube rigide de 12,7 mm (1/2 po) et équipée d'une vanne d'arrêt à moins de 1,8 m (6 pieds) de la sècheuse et dans la même pièce.
- Utilisez un mastic d'étanchéité approprié au gaz naturel ou au gaz de pétrole liquéfié ou utilisez du ruban Teflon^{MD}.
- Raccordez le tuyau de raccordement métallique souple à la sècheuse et à l'alimentation en gaz.

DANS LE COMMONWEALTH DU MASSACHUSETTS

- Ce produit doit être installé par un plombier ou un monteur d'installations au gaz licencié.
- Si vous utilisez des robinets d'arrêt du gaz à bille, ils doivent avoir une poignée en T.
- Si vous utilisez un raccord de gaz souple, il ne doit pas dépasser 1 m (3 pieds).

Instructions d'installation

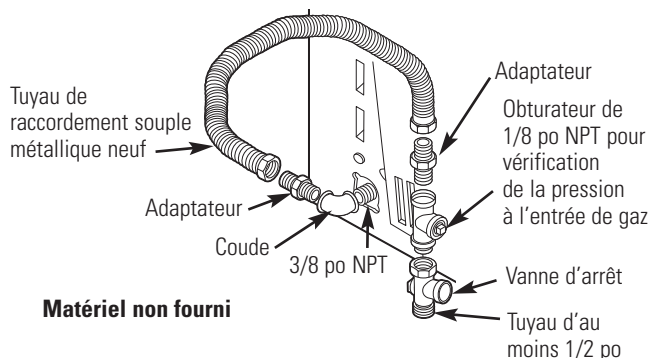
RACCORDEMENT DE LA SÈCHEUSE À L'ALIMENTATION EN GAZ

- A** Installez un coude femelle 3/8 po NPT à l'extrémité du raccord d'entrée de gaz de la sècheuse.

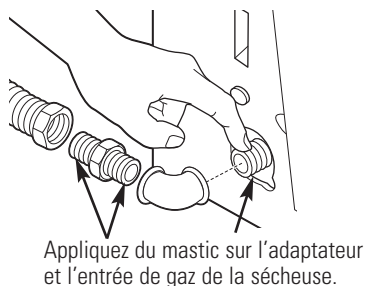
Installez un raccord adaptateur 3/8 po sur le coude femelle.

IMPORTANT : Utilisez une clé à tuyau pour tenir fermement l'extrémité du raccord d'entrée de gaz de la sècheuse pour éviter de l'endommager.

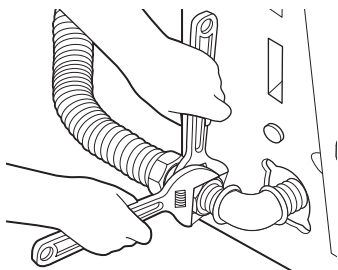
REMARQUE : Appliquez un mastic d'étanchéité ou du ruban Teflon^{MD} sur les filetages de l'adaptateur et du raccord d'entrée de gaz de la sècheuse.



- B** Fixez le tuyau de raccordement métallique souple à l'adaptateur.



- C** Serrez le raccord du tuyau de raccordement souple à l'aide de deux clés à molette.

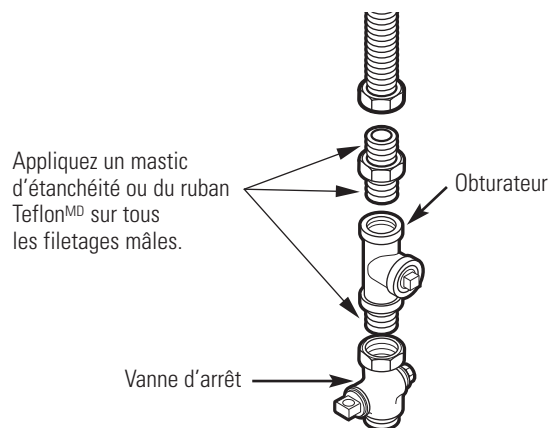


RACCORDEMENT DE LA SÈCHEUSE À L'ALIMENTATION EN GAZ (SUITE)

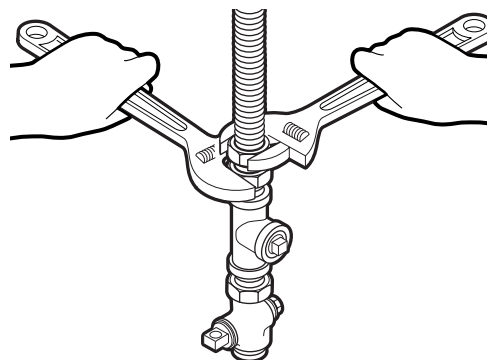
- D** Installez un obturbateur 1/8 po NPT sur la vanne d'arrêt de la ligne de gaz de la sècheuse pour vérifier la pression d'entrée du gaz.

Installez un raccord adaptateur à l'obturbateur.

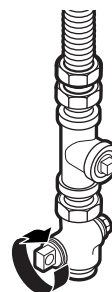
REMARQUE : Appliquez un mastic d'étanchéité ou du ruban Teflon^{MD} sur les filetages de l'adaptateur et de l'obturbateur.



- E** Serrez tous les raccords à l'aide des deux clés à molette. **Ne serrez pas trop fort.**



- F** Ouvrez la vanne d'arrêt de gaz.



RACCORDEMENT D'UNE SÈCHEUSE À GAZ (suite)

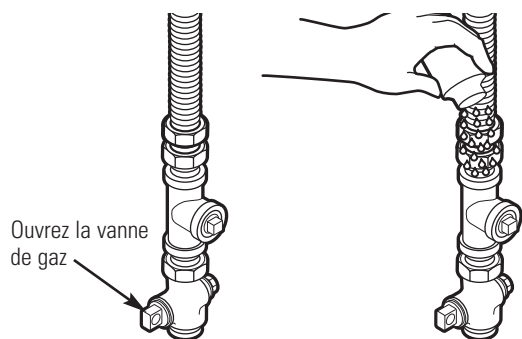
DÉTECTION DES FUITES

⚠ AVERTISSEMENT – N'utilisez jamais une flamme nue pour vérifier la présence de fuites de gaz.

Contrôlez la présence de fuites sur tous les raccordements avec une solution savonneuse ou similaire.

Appliquez une solution savonneuse. La solution de détection des fuites ne doit pas contenir d'ammoniaque, ce qui pourrait endommager les raccords en laiton.

Si des fuites sont détectées, fermez la vanne, resserrez le raccord en cause et répétez la procédure de détection de fuites.



INFORMATIONS DE BRANCHEMENT ÉLECTRIQUE POUR LES SÈCHEUSES À GAZ

⚠ AVERTISSEMENT – Pour réduire le risque d'incendie, de choc électrique et de blessure :

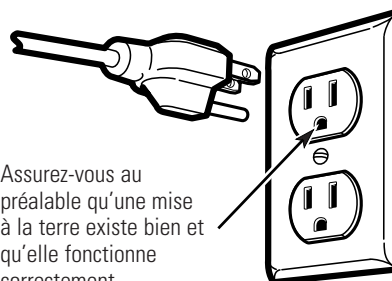
- N'utilisez pas de rallonge électrique ou d'adaptateur de prise avec cette machine.
- La sècheuse doit être électriquement mise à la terre conformément aux normes et aux réglementations locales, ou en l'absence de normes locales, conformément au CODE NATIONAL DE L'ÉLECTRICITÉ, ANSI/NFPA N° 70, ou au Canada la norme CSA C22.1 du Code canadien de l'électricité, 1^{re} partie.

EXIGENCES RELATIVES À L'ÉLECTRICITÉ POUR LES SÈCHEUSES À GAZ

Cette machine doit être alimentée avec du courant de 120 V, 60 Hz, et raccordée à un circuit domestique correctement mis à la terre, protégé par un disjoncteur de 15 ou 20 ampères ou un fusible temporisé.

Si l'alimentation électrique fournie n'est pas conforme aux exigences ci-dessus, il est recommandé de faire installer une prise homologuée par un électricien qualifié.

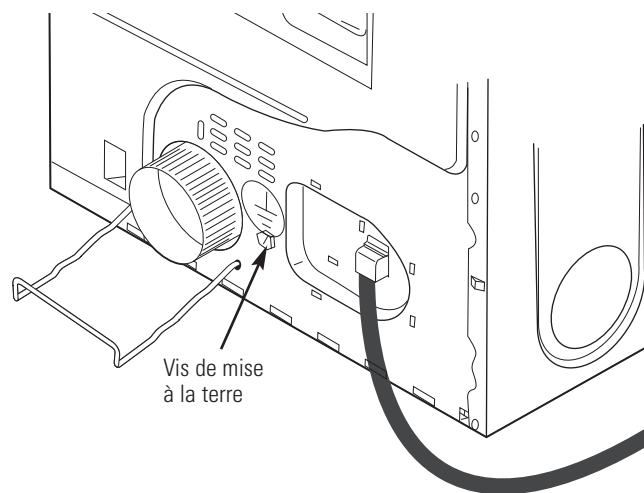
⚠ AVERTISSEMENT – Cette sècheuse est équipée d'une fiche à trois broches (mise à la terre) pour votre protection contre le risque de choc électrique et elle doit être branchée directement dans une prise à trois broches correctement mise à la terre. Ne coupez pas ou n'enlevez pas la broche de terre de cette fiche.



Assurez-vous au préalable qu'une mise à la terre existe bien et qu'elle fonctionne correctement.

Si les normes locales le permettent, un fil de terre externe (non fourni) conforme aux normes locales peut être ajouté en le fixant à la vis verte de mise à la terre, située à l'arrière de la sècheuse, pour établir une mise à la terre alternative.





Vérifiez si la mise à la terre est adéquate avant utilisation.








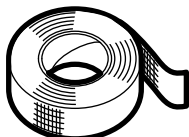



Instructions d'installation

RACCORDEMENT D'UNE SÈCHEUSE ÉLECTRIQUE (non applicable aux sècheuses à gaz)

OUTILS NÉCESSAIRES

-  Pince à joint coulissant
-  Tournevis cruciforme
-  Tournevis à tête plate
-  Niveau

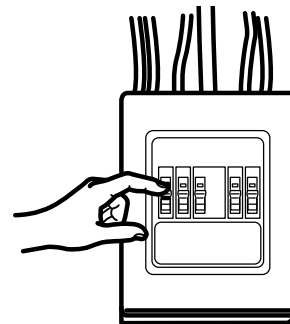
MATÉRIEL NÉCESSAIRE

-  Coude métallique 4 po diamètre
-  Gants
-  Réducteur de tension 3/4 po (UL)
-  L'évent d'évacuation
-  Colliers de conduit 4 po (2) ou brides à ressort 4 po (2)
-  Ruban adhésif
-  Lunettes de protection
-  Tuyau métallique 4 po de diamètre (recommandé)
-  Tuyau métallique souple 4 po de diamètre (si nécessaire)
- Cordon d'alimentation de la sècheuse (non livré avec l'appareil)
Conforme à la norme UL 120/240 V, 30 A avec 3 ou 4 broches. Identifiez le type de fiche selon la prise murale de votre domicile avant d'acheter le cordon.

POUR VOTRE SÉCURITÉ :

⚠ AVERTISSEMENT

Avant d'effectuer le branchement électrique, déclenchez le disjoncteur ou enlevez le fusible de la sècheuse au panneau de distribution électrique. Assurez-vous que le cordon d'alimentation de la sècheuse est débranché de la prise murale. **NE LAISSEZ JAMAIS LE CAPOT DE LA PLAQUE À BORNES ENLEVÉ.**



RENSEIGNEMENTS SUR LES RACCORDS ÉLECTRIQUES POUR SÈCHEUSES ÉLECTRIQUES

⚠ AVERTISSEMENT – Pour réduire les risques d'incendie, de chocs électriques ou de blessure :

- N'utilisez pas de rallonge électrique ou d'adaptateur de prise avec cette machine.
- Cette sècheuse doit être mise à la terre en conformité avec les codes et règlements locaux, ou en l'absence de codes locaux, en conformité avec le CODE NATIONAL DE L'ÉLECTRICITÉ, ANSI/NFPA N° 70, ou au Canada la norme CSA C22.1 du Code canadien de l'électricité, 1^{re} partie.

RACCORDEMENT D'UNE SÈCHEUSE ÉLECTRIQUE (suite)

EXIGENCES RELATIVES À L'ÉLECTRICITÉ POUR LES SÈCHEUSES ÉLECTRIQUES

Cette sècheuse doit être raccordée à un circuit domestique indépendant, protégé par un disjoncteur ou un fusible temporisé. Un circuit monophasé de 120/240 V, 60 Hz et 30 ampères, à trois ou quatre fils, est nécessaire.

Si l'alimentation électrique fournie n'est pas conforme aux exigences ci-dessus, contactez alors un électricien qualifié.

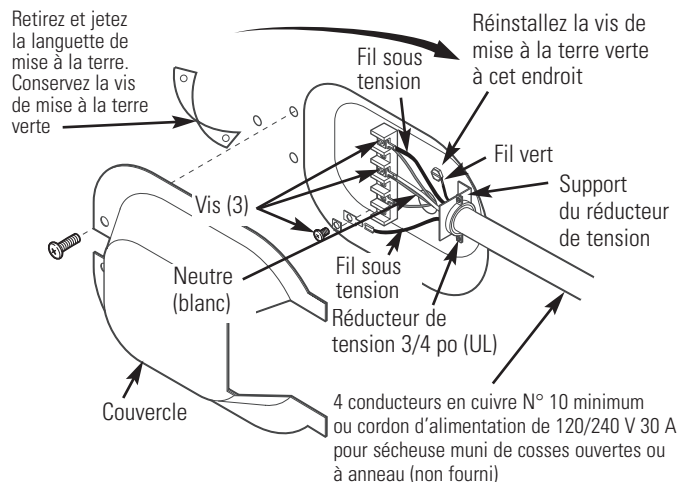
INSTRUCTIONS DE MISE À LA TERRE

La sècheuse doit être branchée à un réseau de fils en métal permanents et mis à la terre; ou un conducteur de mise à la terre doit suivre les conducteurs du circuit et être branché à la borne de mise à la terre sur la sècheuse.

BRANCHEMENT DE LA SÈCHEUSE À L'AIDE D'UN CÂBLE À 4 FILS (À UTILISER POUR L'INSTALLATION DANS UNE MAISON MOBILE)

REMARQUE : Depuis le 1^{er} janvier 1996, le Code national de l'électricité impose aux nouvelles constructions d'utiliser un raccordement à 4 fils pour une sècheuse électrique. Un cordon à 4 fils doit aussi être utilisé lorsque les normes locales n'autorisent pas une mise à la terre via le neutre.

Un raccordement à 3 fils NE doit PAS être utilisé dans une nouvelle construction.

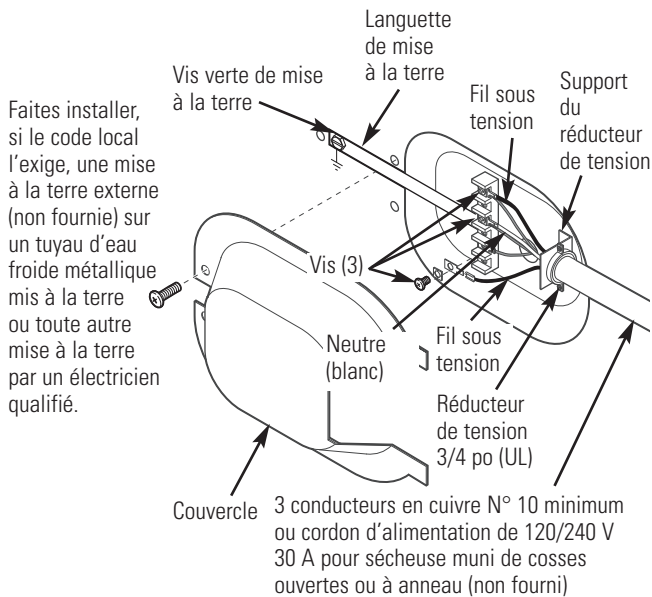


BRANCHEMENT DE LA SÈCHEUSE À L'AIDE D'UN CÂBLE À 4 FILS (À UTILISER POUR L'INSTALLATION DANS UNE MAISON MOBILE) (suite)

1. Déclenchez le(s) disjoncteur(s) ou retirez le(s) fusible(s) du circuit du tableau électrique.
2. Assurez-vous que le cordon de la sècheuse est débranché de la prise murale.
3. Retirez le couvercle du cordon d'alimentation situé à l'arrière.
4. Retirez et jetez la languette de mise à la terre. Conserver la vis verte de mise à la terre pour l'étape 7.
5. Insérez un réducteur de tension conforme UL 3/4 po dans le trou d'entrée du cordon. Faites passer le cordon d'alimentation dans le réducteur de tension.
6. Connectez le cordon d'alimentation comme suit :
 - A. Connectez les 2 fils sous tension aux vis extérieures de la plaque à bornes (L1 et L2).
 - B. Connectez le fil neutre (blanc) au centre de la plaque à bornes (N).
7. Branchez le fil de terre du cordon à la vis verte de mise à la terre (trou placé au-dessus du support du réducteur de tension). Serrez toutes les vis de la plaque à bornes (3) complètement.
8. Fixez le cordon d'alimentation dans le réducteur de tension.
9. Réinstallez le couvercle.

⚠ AVERTISSEMENT –
NE LAISSEZ JAMAIS LE COUVERCLE ENLEVÉ DE LA PLAQUE À BORNES.

RACCORDEMENT DE LA SÈCHEUSE À L'AIDE D'UN CÂBLE À 3 FILS



1. Déclenchez le(s) disjoncteur(s) ou retirez le(s) fusible(s) du circuit du tableau électrique.
2. Assurez-vous que le cordon de la sècheuse est débranché de la prise murale.
3. Retirez le couvercle du cordon d'alimentation situé à l'arrière.
4. Insérez un réducteur de tension conforme UL 3/4 po dans le trou d'entrée du cordon. Faites passer le cordon d'alimentation dans le réducteur de tension.
5. Connectez le cordon d'alimentation comme suit :
 - A. Connectez les 2 fils sous tension aux vis extérieures de la plaque à bornes (L1 et L2).
 - B. Connectez le fil neutre (blanc) au centre de la plaque à bornes (N).
6. Veillez à ce que la languette de mise à la terre soit connectée à la borne neutre (centre) de la plaque à bornes et à la vis verte de mise à la terre sur le boîtier. Serrez toutes les vis de la plaque à bornes (3) complètement.
7. Fixez le cordon d'alimentation dans le réducteur de tension.
8. Réinstallez le couvercle.




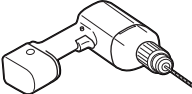
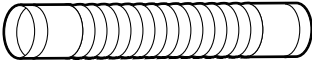
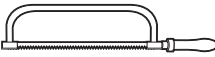
⚠ AVERTISSEMENT –
NE LAISSEZ JAMAIS LE COUVERCLE ENLEVÉ
DE LA PLAQUE À BORNES.

ÉVACUATION DE LA SÈCHEUSE

▲ AVERTISSEMENT – Pour réduire le risque d'incendie et de blessure :

- L'air de cette sècheuse doit être évacué à l'extérieur.
- Utilisez un conduit métallique.
- Ne faites pas aboutir l'évacuation dans une cheminée, une ventilation de gaz, sous un sol confiné, dans un vide sanitaire, un mur, un plafond, dans un grenier ou tout autre espace confiné d'un bâtiment. L'accumulation de charpie peut créer un risque d'incendie.
- Prévoyez libre un accès pour l'inspection et le nettoyage du système d'évacuation, notamment pour les coudes. Inspectez et nettoyez le système au moins une fois par an.
- Ne terminez jamais l'évacuation dans un conduit commun avec une évacuation de cuisine. Une combinaison de charpie et de graisse peut créer un risque d'incendie.
- N'obstruez pas l'entrée ou l'évacuation de l'air.
- La sècheuse est préparée pour une évacuation de l'air par l'arrière. Si l'espace est insuffisant, utilisez les instructions figurant sur les pages 78–80 pour évacuer l'air par les côtés ou le dessous de la carrosserie.

OUTILS ET MATÉRIEL NÉCESSAIRES À L'INSTALLATION DU CONDUIT D'ÉVACUATION

-  Tournevis cruciforme
-  Événement d'évacuation
-  Ruban de toile ou colliers pour conduit
-  Percez à l'aide d'un foret de 1/8 po (pour évacuation par le dessous)
-  Conduit métallique rigide ou souple homologué UL de 10,2 cm (4 po)
-  Scie à métaux

LISTE DE VÉRIFICATION DU SYSTÈME D'ÉVACUATION

ÉVÉNEMENT MURAL

- Terminez le conduit de façon à éviter les retours d'air ou l'entrée d'oiseaux ou d'autres animaux.
- La terminaison doit présenter une résistance minimale au flux d'air évacué et nécessiter peu ou pas de maintenance pour empêcher les obstructions.
- N'installez jamais un filtre dans ou sur le conduit d'évacuation.
- Les événements muraux doivent être installés à au moins 30,5 cm (12 po) au-dessus du niveau du sol ou toute autre obstruction avec l'ouverture dirigée vers le bas.
- Si des aérations de toiture ou des ventilations ajourées sont utilisées, elles doivent être équivalentes à un événement mural à volet de 10,2 cm (4 po) pour ce qui concerne la résistance au flux d'air, la prévention des retours d'air et la maintenance nécessaire pour empêcher les obstructions.

SÉPARATIONS DES COUDES

- Pour de meilleures performances, séparez tous les coudes par un conduit droit d'au moins 1,2 m (4 pieds), y compris sur la distance entre le dernier coude et le couvert du tuyau d'échappement.

ÉTANCHÉITÉ DES JOINTS

- Tous les joints doivent être serrés pour éviter les fuites. L'extrémité mâle de chaque section du conduit doit être dirigée vers l'extérieur par rapport à la sècheuse.
- N'assemblez pas les conduits avec des fixations qui pénètrent dans le conduit. Elles serviraient de point de collecte pour la charpie.
- Les joints de conduit doivent être étanches à l'air et à la poussière, recouverts de ruban de toile ou en aluminium.
- Les conduits horizontaux doivent être inclinés vers l'extérieur de 6 mm (1/4 po) par pied de longueur.

ISOLATION

- Les conduits qui traversent une zone non chauffée ou situés à proximité d'un climatiseur doivent être isolés pour réduire la condensation et la création de charpie.

Instructions d'installation

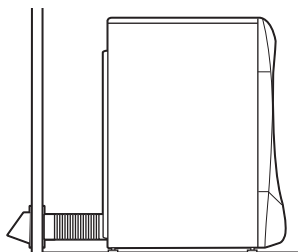
UTILISATION D'UN CONDUIT MÉTALLIQUE SOUPLE POUR L'ÉVACUATION TRANSITOIRE

L'utilisation de conduits métalliques rigides ou semi-rigides est recommandée pour l'évacuation transitoire entre la sècheuse et le mur. Dans les installations spéciales où il est impossible d'effectuer un raccordement conforme aux recommandations précédentes, alors un conduit métallique souple transitoire homologué UL peut être utilisé entre la sècheuse et le mur uniquement. L'utilisation de ce type de conduit affectera la durée du séchage. Le fabricant ne reconnaît que ces types de conduits souples comme étant spécialement conçus pour être utilisés avec la machine. Aux États-Unis, le conduit doit être conforme à la norme Outline for Clothes Dryer Transition Duct (Directives générales concernant le conduit de transition des sècheuses de linge, chapitre 2158A).

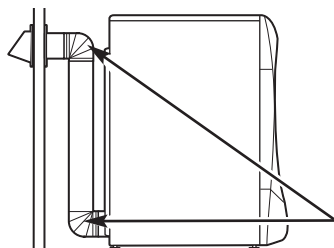
Si un conduit métallique souple transitoire se révèle nécessaire, les consignes suivantes doivent être respectées :

- Utilisez la plus petite longueur possible. La longueur totale de conduit métallique souple ne dépassera pas 2.4 m.
- Étirez le conduit à sa longueur maximale.
- Ne l'écrasez pas ou ne le pliez pas.
- N'utilisez jamais de conduit métallique souple dans le mur ou à l'intérieur de la sècheuse.
- Évitez de poser le conduit sur des objets pointus.
- L'évacuation doit être conforme aux normes locales de construction.

POUR L'ÉVACUATION TRANSITOIRE (DE LA SÈCHEUSE AU MUR), FAITES :



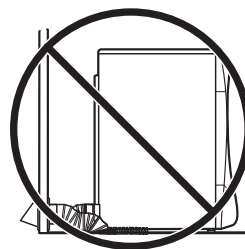
- **COUPEZ** le conduit aussi court que possible et installez-le droit vers le mur.



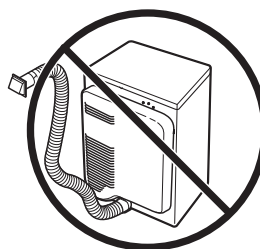
- **UTILISEZ** des coudes lorsque des changements de direction sont nécessaires.

Coudes

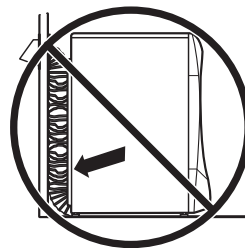
NE FAITES PAS :



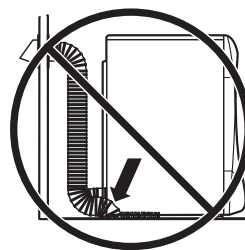
- **N'ÉCRASEZ PAS** ou ne pliez pas le conduit. Utilisez des coudes lorsque des changements de direction sont nécessaires.



- **N'UTILISEZ PAS** une longueur excessive de conduit. Coupez le conduit aussi court que possible.



- **N'ÉCRASEZ PAS** le conduit contre le mur.



- **N'INSTALLEZ PAS** la sècheuse sur le conduit.

ÉVACUATION DE LA SÈCHEUSE (suite)

⚠ AVERTISSEMENT – N'UTILISEZ QUE DES CONDUITS DE MÉTAL DE 4 PO. NE PAS UTILISEZ DES CONDUITS PLUS LONG QUE CE QUI EST SPÉCIFIÉ DANS LE TABLEAU DE LONGUEUR D'ÉCHAPPEMENT.

Utilisez des tuyaux d'échappement plus long que ce qui est spécifié aura comme conséquence :

- Augmentera les temps de séchage et les coûts d'énergie.
- Réduira la durée de vie de la sècheuse.
- Accumulation de la charpie, créant un danger potentiel de feu.

L'installation correcte du tuyau est VOTRE RESPONSABILITÉ.

Les problèmes causés par une mauvaise installation ne sont pas couverts par la garantie.

La longueur du système d'échappement MAXIMUM PERMISE dépend du type de conduits, du nombre de tours, du type de couvert de tuyau d'échappement (couvert mural) et de toutes les conditions mentionnées ci-dessus. Des conduits souples et rigides sont montrés dans le tableau ci-dessus.

LONGUEUR DU TUYAU D'ÉCHAPPEMENT

LONGUEUR MAXIMUM RECOMMANDÉ	
Types de couverts de tuyau d'échappement	
Recommandé	Utilisation pour des installations de courte durée seulement

Nombre de Coudes à 90°	Métal rigide		Métal souple	
	Métal rigide	Métal souple	Métal rigide	Métal souple
0	150 pieds	55 pieds	125 pieds	45 pieds
1	135 pieds	52 pieds	115 pieds	42 pieds
2	125 pieds	49 pieds	105 pieds	39 pieds
3	115 pieds	46 pieds	95 pieds	36 pieds
4	105 pieds	43 pieds	85 pieds	33 pieds
5	95 pieds	40 pieds	75 pieds	30 pieds

Si vous utilisez un conduit de métal flexible, veuillez vous référer à la page 75.

LISTE DE VÉRIFICATION DU SYSTÈME D'ÉVACUATION

ÉVENT MURAL

- Terminez le conduit de façon à éviter les retours d'air ou l'entrée d'oiseaux ou d'autres animaux.
- La terminaison doit présenter une résistance minimale au flux d'air évacué et nécessiter peu ou pas de maintenance pour empêcher les obstructions.
- **N'installez** jamais un filtre dans ou sur le conduit d'évacuation. Ceci pourrait causer une accumulation de charpie.
- Les événements muraux doivent être installés à au moins 30,5 cm (12 po) au-dessus du niveau du sol ou toute autre obstruction avec l'ouverture dirigée vers le bas.
- Si des aérations de toiture ou des ventilations ajourées sont utilisées, elles doivent être équivalentes à un événement mural à volet de 10,2 cm (4 po) pour ce qui concerne la résistance au flux d'air, la prévention des retours d'air et la maintenance nécessaire pour empêcher les obstructions.

SÉPARATIONS DES COUDES

Pour de meilleures performances, séparez tous les tours par au moins 4 pi de conduits droit, incluant la distance entre le dernier tour et le couvert du tuyau d'échappement.

AUTRES TOURS QUE 90°

- Un tour de 45° ou moins peut être ignoré.
- Deux tours de 45° devraient être considérés comme un tour de 90°.
- Chaque tour de plus de 45° devrait être traité comme un tour de 90°.

ÉTANCHÉITÉ DES JOINTS

- Tous les joints doivent être serrés pour éviter les fuites. L'extrémité mâle de chaque section du conduit doit être dirigée vers l'extérieur par rapport à la sècheuse.
- N'assemblez pas les conduits avec des fixations qui pénètrent dans le conduit. Elles serviraient de point de collecte pour la charpie.
- Les joints de conduit doivent être étanches à l'air et à la poussière, recouverts de ruban de toile.
- Des séries horizontales devraient se diriger vers le bas, vers l'extérieur 1/2 po par pied.

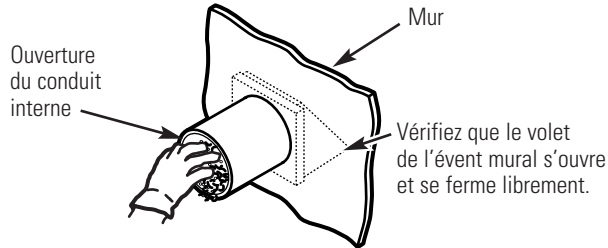
ISOLATION

- Les conduits qui traversent une zone non chauffée ou situés à proximité d'un climatiseur doivent être isolés pour réduire la condensation et la création de charpie.

Instructions d'installation

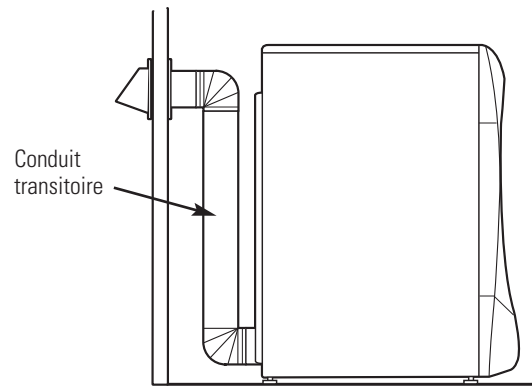
AVANT DE COMMENCER

Enlevez toute charpie de l'ouverture d'évacuation murale.



CONFIGURATION RECOMMANDÉE POUR MINIMISER UN BLOCAGE DU CONDUIT

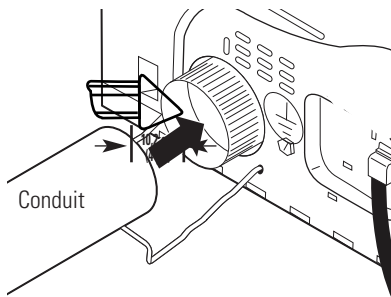
L'utilisation de coudes empêchera les conduits de se déformer et de s'écraser.



ÉVACUATION ARRIÈRE STANDARD

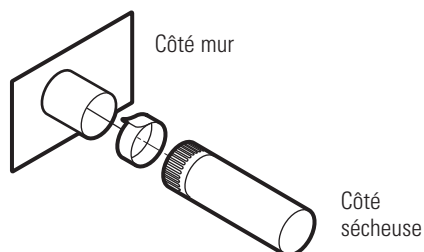
Nous vous recommandons d'installer votre sècheuse avant d'installer votre laveuse. Cela permettra un accès direct pour faciliter le raccordement de l'évacuation.

Insérez l'extrémité du conduit d'évacuation sur le raccord arrière de la sècheuse et fixez-la avec du ruban de toile ou un collier de fixation.



REMARQUE : Nous vous recommandons fortement d'utiliser un conduit d'évacuation rigide et en métal. Si vous utilisez un conduit métallique semi-rigide, coupez-le à la bonne longueur et évitez d'écraser le conduit derrière la sècheuse.

- Pour une installation droite, raccordez le conduit d'évacuation de la sècheuse au mur l'aide de ruban en toile.



ÉVACUATION DE LA SÈCHEUSE (suite)

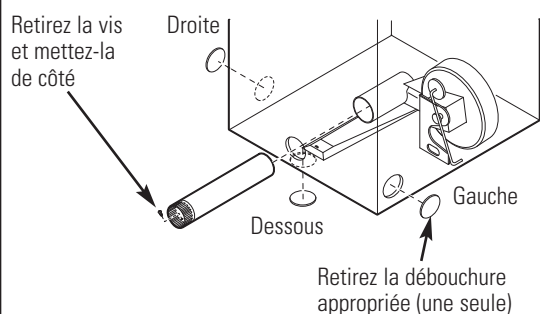
ÉVACUATION LATÉRALE :

Orifice d'évacuation de la sècheuse sur la droite de la carrosserie sur les modèles fonctionnant à l'électricité uniquement.

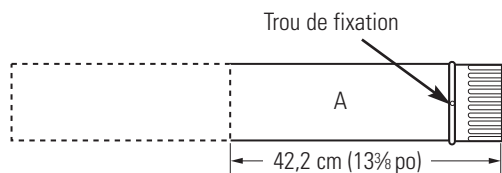
Orifice d'évacuation de la sècheuse sur la gauche de la carrosserie sur les modèles fonctionnant au gaz et à l'électricité.

⚠ AVERTISSEMENT -

AVANT DE PROCÉDER À L'INSTALLATION DE L'ÉVACUATION, VEILLEZ À COUPER L'ALIMENTATION ÉLECTRIQUE DE LA SÈCHEUSE. PROTÉGEZ VOS MAINS ET VOS BRAS DES PARTIES COUPANTES LORSQUE VOUS TRAVAILLEZ SUR LA CARROSSERIE. MUNISSEZ-VOUS DE GANTS.

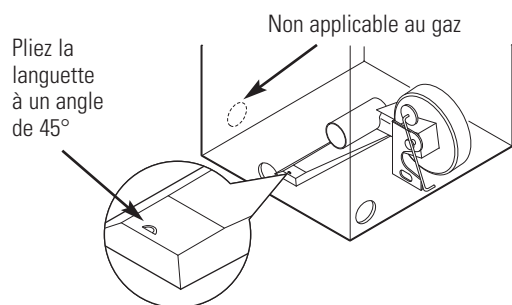


Enlevez la débouchure gauche, droite ou du dessous. Retirez la vis située à l'intérieur du tuyau d'évacuation de la sècheuse et conservez-la. Retirez le tuyau de la sècheuse.



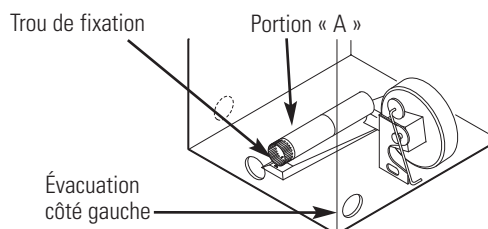
Coupez le tuyau comme indiqué et conservez la portion A.

EMPLACEMENT DE LA LANGUETTE



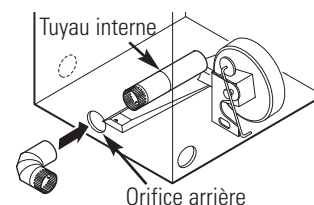
À travers l'orifice arrière, repérez la languette au milieu de la base de l'appareil. Soulevez la languette à 45° à l'aide d'un tournevis à tête plate.

AJOUTER UN NOUVEAU CONDUIT

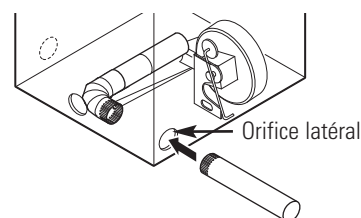


Rebranchez la portion découpée (A) du conduit au boîtier du ventilateur. Veillez à ce que le conduit raccourci soit aligné sur la languette dans la base. Utilisez la vis mise de côté précédemment pour fixer le conduit à la languette sur la base de l'appareil.

AJOUTER UN COUDE ET UN CONDUIT POUR L'ÉVACUATION SUR LA GAUCHE ET LA DROITE DE L'APPAREIL



- Introduisez le coude de 4 po dans l'orifice arrière et connectez le coude au tuyau interne de la sècheuse.



- Introduisez le conduit de 4 po dans l'orifice latéral et connectez-le au coude.

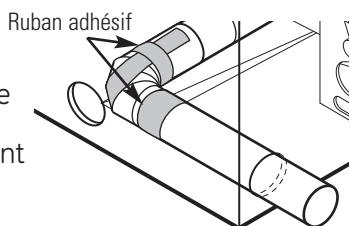
MISE EN GARDE : Ne pas tirer ou endommager les fils électriques et ne pas retirer le couvert de vinyle des pièces électriques à l'intérieur de la sècheuse lors de l'insertion du conduit. Une légère interférence peut se produire entre l'évacuation et les composants de fil.

Instructions d'installation

ÉVACUATION LATÉRALE (suite)

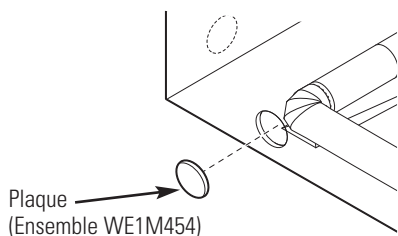
AJOUTER UN COUDE ET UN CONDUIT POUR L'ÉVACUATION SUR LA GAUCHE ET LA DROITE DE L'APPAREIL (suite)

- Appliquez du ruban adhésif comme indiqué sur le joint entre le tuyau interne de la sècheuse et le coude, et également sur le joint entre le coude et le tuyau latéral.



MISE EN GARDE : Les joints du conduit interne doivent être fixés avec du ruban adhésif afin d'éviter qu'ils ne se détachent et que ceci n'entraîne un risque pour la sécurité.

AJOUTER UNE PLAQUE D'OBTURATION À L'ARRIÈRE DE LA CARROSSERIE (ÉVACUATION LATÉRALE)



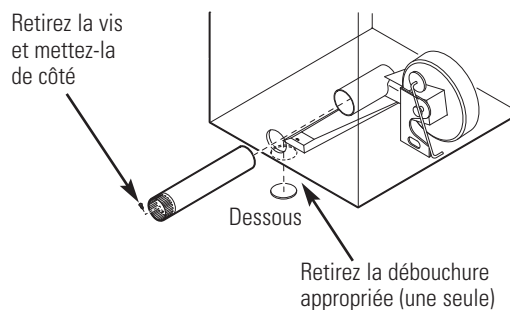
Connectez les coudes et les conduits métalliques pour terminer l'installation du système d'évacuation. Recouvrez l'orifice arrière d'une plaque (Ensemble WE1M454) disponible auprès de votre fournisseur local. Placez la sècheuse à son emplacement final.

⚠ AVERTISSEMENT –
IL FAUT TOUJOURS LAISSER LA PLAQUE D'OBTURATION SUR L'ORIFICE À L'ARRIÈRE DE LA SÈCHEUSE. (Ensemble WE1M454)

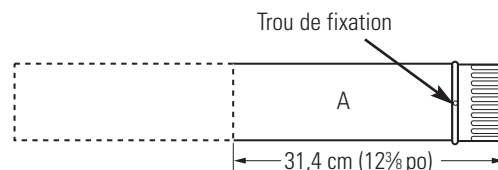
ÉVACUATION PAR LE DESSOUS :

Orifice d'évacuation de la sècheuse par le dessous de la carrosserie sur les modèles fonctionnant au gaz et à l'électricité.

⚠ AVERTISSEMENT –
AVANT DE PROCÉDER À L'INSTALLATION DU SYSTÈME D'ÉVACUATION, VEILLEZ À COUPER L'ALIMENTATION ÉLECTRIQUE DE LA SÈCHEUSE. PROTÉGEZ VOS MAINS ET VOS BRAS DES PARTIES COUPANTES LORSQUE VOUS TRAVAILLEZ SUR LA CARROSSERIE. MUNISSEZ-VOUS DE GANTS.



Retirez la vis située à l'intérieur du tuyau d'évacuation de la sècheuse et conservez-la. Retirez le tuyau de la sècheuse. Enlevez la débouchure du dessous.



Coupez le tuyau comme indiqué et conservez la portion A.

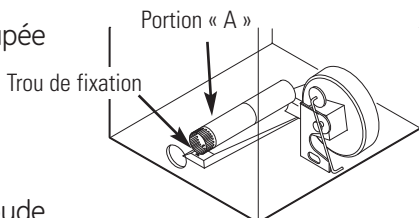
ÉVACUATION DE LA SÈCHEUSE (suite)

ÉVACUATION PAR LE DESSOUS (suite)

Orifice d'évacuation de la sècheuse par le dessous de la carrosserie sur les modèles fonctionnant au gaz et à l'électricité.

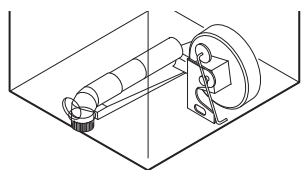
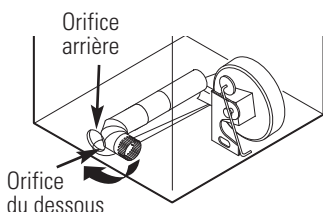
AJOUTER UN NOUVEAU CONDUIT

- Rebranchez la portion découpée A du conduit au boîtier du ventilateur.

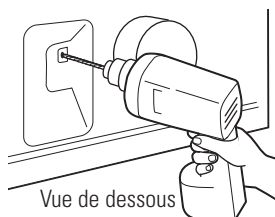


- Placez du ruban adhésif sur le coude dans un angle de 90 degrés afin d'éviter toute rotation.

- Introduisez le coude dans l'orifice arrière et connectez-le à la portion A. Pivotez le coude vers l'orifice du dessous.



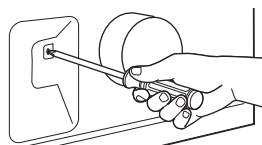
- Tout en tenant le tuyau et le coude à l'aide de vos mains via l'orifice arrière, percez un trou de 1/8 po à travers le trou de la languette inférieure et le tuyau conformément à l'illustration.



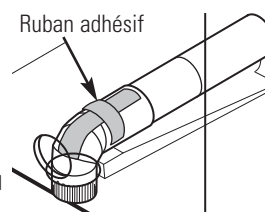
REMARQUE : Assurez-vous que la perceuse a traversé le tuyau et le coude.

MISE EN GARDE : Prenez soin de ne pas tirer ou endommager les fils électriques placés à l'intérieur de la sècheuse lors de l'insertion du conduit.

- Tout en tenant le tuyau et le coude par l'orifice arrière, vissez les tuyaux en place à l'aide de la vis précédemment mise de côté.



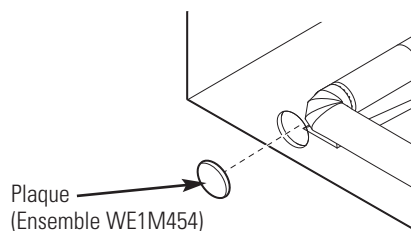
- Appliquez du ruban adhésif sur le joint entre le tuyau interne de la sècheuse et le coude.



REMARQUE : Assurez-vous que le ruban recouvre le trou de vis de la portion A à l'endroit où il se raccorde au coude.

MISE EN GARDE : Les joints du conduit interne doivent être fixés avec du ruban adhésif afin d'éviter qu'ils ne se détachent et que ceci n'entraîne un risque pour la sécurité.

AJOUTER UNE PLAQUE D'OBTURATION À L'ARRIÈRE DE LA CARROSSERIE (ÉVACUATION PAR LE DESSOUS)



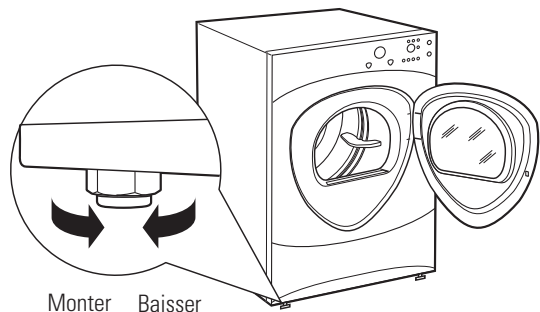
Connectez les coudes et les conduits métalliques pour terminer l'installation du système d'évacuation. Recouvrez l'orifice arrière d'une plaque (Ensemble WE1M454) disponible auprès de votre fournisseur local. Placez la sècheuse à son emplacement final.

⚠ AVERTISSEMENT –
IL FAUT TOUJOURS LAISSER LA PLAQUE D'OBTURATION SUR L'ORIFICE À L'ARRIÈRE DE LA SÈCHEUSE. (Ensemble WE1M454)

INSTALLATION FINALE

1 METTEZ LA SÉCHEUSE DE NIVEAU

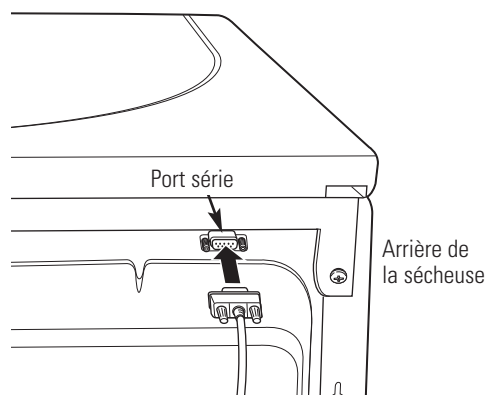
Placez la sécheuse à proximité de l'emplacement final. Réglez les quatre pattes de nivellement pour la mettre de niveau de gauche à droite, et de l'avant vers l'arrière.



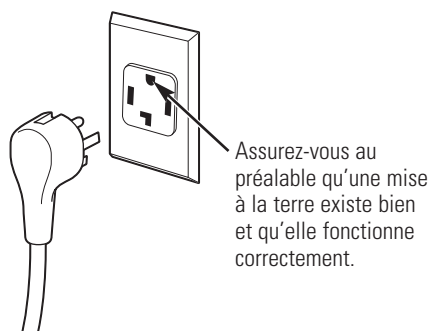
2 BRANCHEMENT DU CÂBLE SÉRIE

Branchez le câble série pour le raccordement de la laveuse et de la sécheuse dans le port série placé à l'arrière de la sécheuse.

Branchez l'autre extrémité du câble sur la laveuse avant de pousser la laveuse à son emplacement final.



3 BRANCHEZ LA SÉCHEUSE



4 INSTRUCTIONS DE MISE À LA TERRE

Vous devez mettre à la terre cet appareil électroménager. En cas de panne ou de mauvais fonctionnement, cette mise à la terre réduira le risque de secousse électrique en fournissant au courant un passage de moindre résistance. Cet appareil est équipé d'un cordon qui est muni d'un conducteur et d'une fiche de mise à la terre. Cette fiche doit être branchée dans une bonne prise, bien installée et mise à la terre conformément à tous les codes et à toutes les ordonnances locales.

5 DÉMARRAGE DE LA SÉCHEUSE

Appuyez sur la touche **POWER (ALIMENTATION)**.



REMARQUE : Si la sécheuse a été exposée à des températures inférieures au point de congélation pendant une période prolongée, laissez-la se réchauffer avant d'appuyer sur **POWER (ALIMENTATION)**. Sinon, l'écran ne s'allumera pas.

La sécheuse est maintenant prête à l'emploi.

MAINTENANCE

⚠ AVERTISSEMENT –

Étiquetez tous les câbles avant de les débrancher pour les réparations. Les erreurs de câblage peuvent provoquer un fonctionnement inapproprié et dangereux après une installation/réparation.

Pour les pièces de rechange et les autres informations, consultez la page 100 du manuel d'utilisation pour connaître les numéros de téléphone du service après-vente.

Instructions d'installation

INVERSION DE L'OUVERTURE DE LA PORTE (optionnel)

REMARQUES IMPORTANTES

- Lisez l'ensemble des instructions avant de commencer.
- Manipulez les pièces avec soin afin d'éviter d'abîmer la peinture.
- Prévoyez une surface non abrasive pour les portes.
- Posez les vis à côté de leurs pièces respectives afin d'éviter de les utiliser aux mauvais endroits.
- Toutes les vis doivent être vissées à la main.
- La procédure d'inversion de l'ouverture de la porte dure de 30 à 60 minutes.

IMPORTANT : Après avoir commencé, ne déplacez pas la sècheuse avant que l'inversion de l'ouverture de la porte n'ait été effectuée.

Ces instructions permettent de transférer les charnières du côté droit vers le côté gauche. Si vous souhaitez les réinstaller du côté droit, veuillez suivre ces mêmes instructions et inversez toutes les références aux termes gauche et droite.

ENSEMBLE D'INVERSION STANDARD

- Couvercle de porte chromé



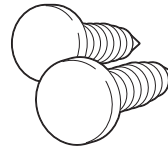
- Couvre-charnière de porte chromé



- Couvercle de contre-porte



- 2 capuchons

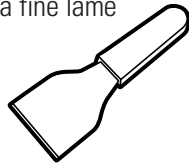


OUTILS NÉCESSAIRES

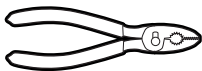
- Tournevis cruciforme



- Couteau à mastic ou tournevis à fine lame

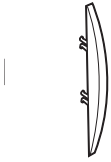


- Pince

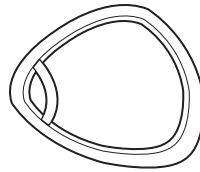


Instructions d'installation

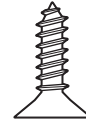
PIÈCES DE LA PORTE



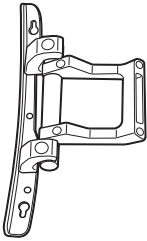
Couvercle-charnière



Couvercle de porte chromé



C Petite vis taraudeuse
1 – #8 x 0,375 po



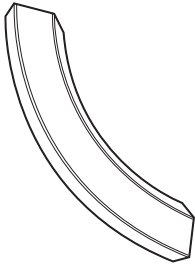
Charnière



Couvercle de porte chromé



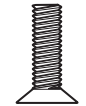
D Petites vis taraudeuses
11 – #8 x 0,625 po



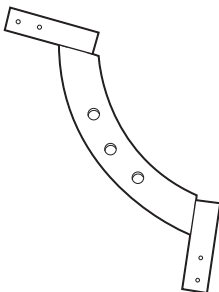
Poignée externe



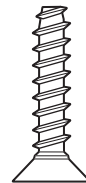
Couvercle de contre-porte



E Vis à métaux
4 – #8 x 0,50 po



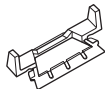
Poignée interne



A Grandes vis taraudeuses
7 – #10 x 1,125 po



B Grandes vis taraudeuses
2 – #10 x 0,75 po

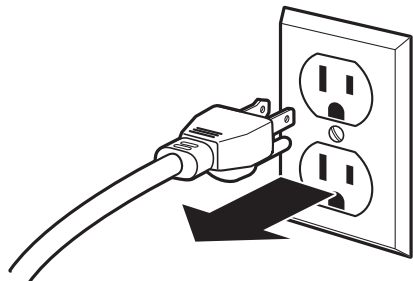


2 capuchons de poignée

INVERSION DE L'OUVERTURE DE LA PORTE (optionnel) (suite)

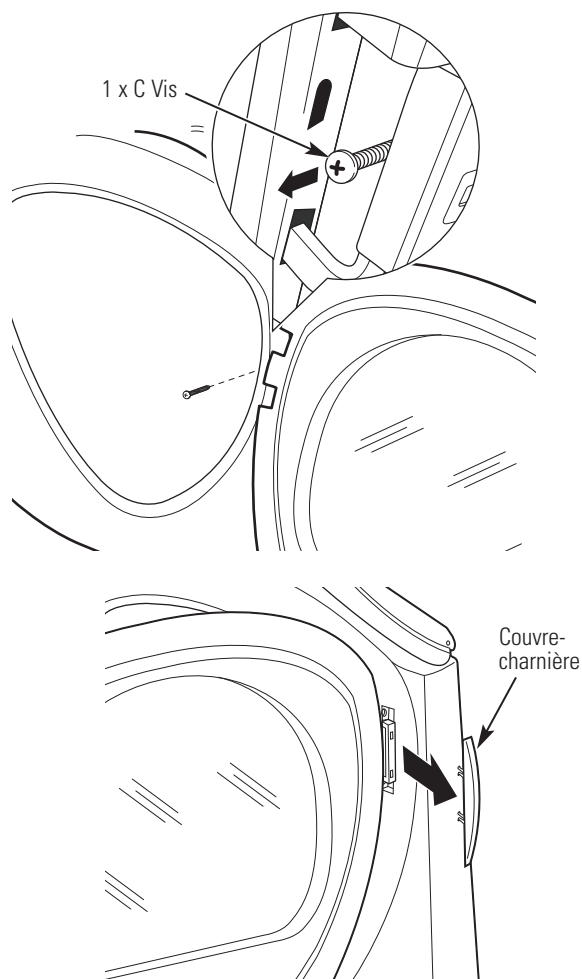
AVANT DE COMMENCER

Débranchez la sécheuse de sa prise électrique.



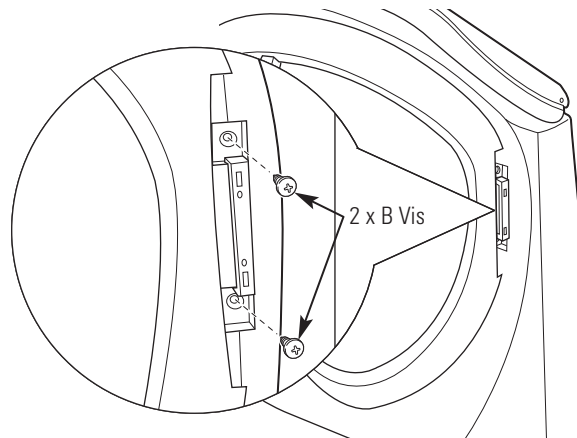
1 COMMENT RETIRER LA PORTE

Retirez le couvre-charnière latéral en ouvrant la porte de la sécheuse et en retirant la vis placée derrière la charnière (vis taraudeuse #8 x 0,375 po). Retirez à la main le couvre-charnière de la sécheuse.



1 COMMENT RETIRER LA PORTE (SUITE)

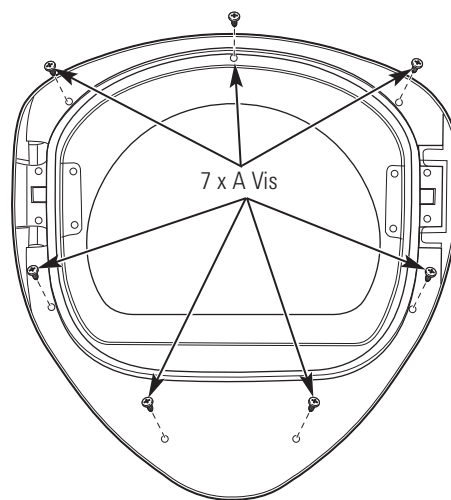
Tenez la porte et retirez les 2 vis de charnière (vis taraudeuses #10 x 0,75 po). Retirez la porte du panneau avant de la sécheuse.



2 COMMENT DÉMONTER LA PORTE

Déposez la porte sur une surface plane, lisse et protégée de sorte que la partie intérieure soit placée vers le haut (la porte est couchée sur le côté de la poignée).

Retirez les 7 vis (vis taraudeuses #10 x 1,125 po) situées autour du périmètre de la porte.

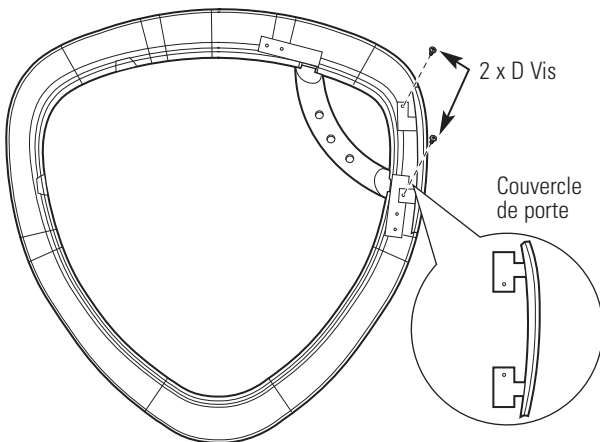


Retournez la porte et séparez le couvercle chromé de la contre-porte. Déposez la contre-porte sur une surface plane, lisse et protégée.

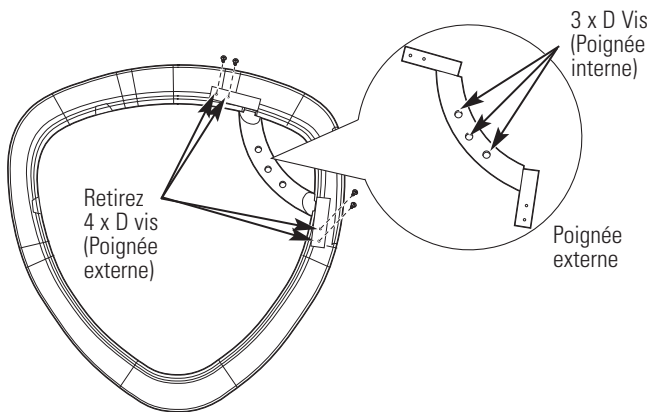
Instructions d'installation

3 COMMENT INVERSER LA POIGNÉE ET LES COUVERCLES DE LA PORTE

A Déposez le couvercle chromé sur une surface plane, lisse et protégée de sorte que la partie intérieure soit placée vers le haut (s'appuyant sur le côté de la poignée). Démontez le couvercle de la porte du couvercle en chrome du côté de la poignée en retirant 2 vis (vis taraudeuses #8 x 0,625 po).

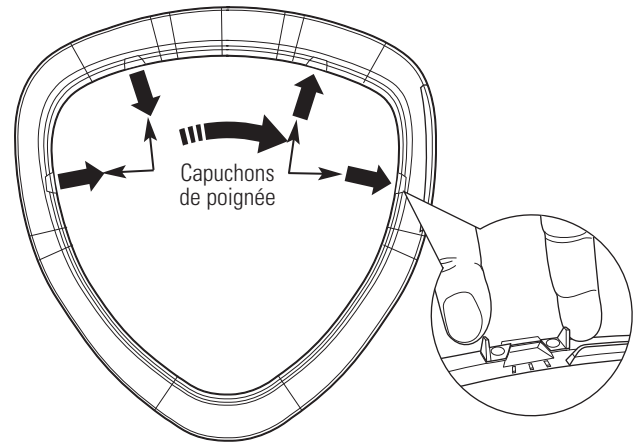


B Démontez la poignée interne de la poignée externe en dévissant 3 vis (vis taraudeuses #8 x 0,625 po). Démontez la poignée externe du couvercle en chrome en dévissant 4 vis (vis taraudeuses #8 x 0,625 po).

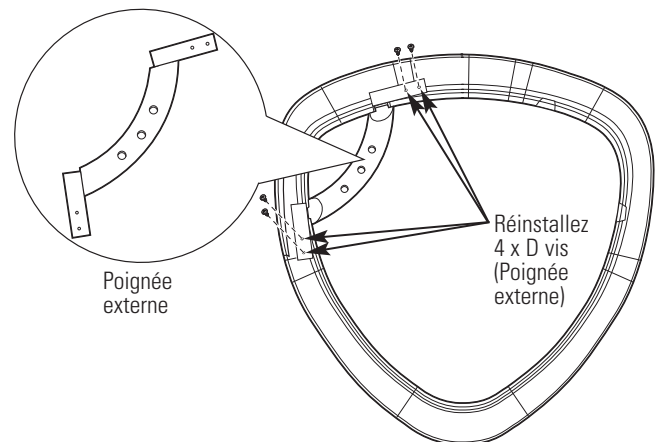


3 COMMENT INVERSER LA POIGNÉE ET LES COUVERCLES DE LA PORTE (SUITE)

C Faites sortir les deux 2 capuchons de poignée vers vous et réinstallez-les sur le côté opposé du couvercle en chrome où vous avez enlevé la poignée externe.



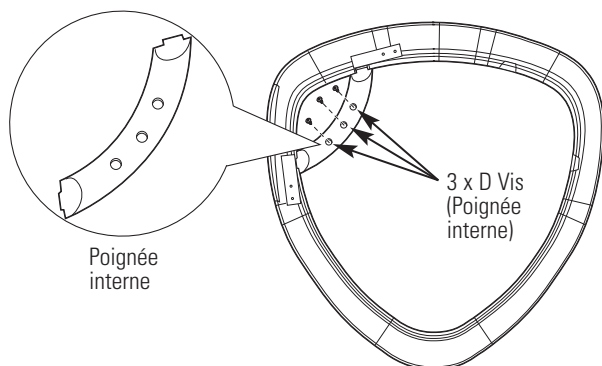
D Assemblez la poignée externe sur le côté opposé du couvercle en chrome à l'aide de 4 vis (vis taraudeuses #8 x 0,625 po).



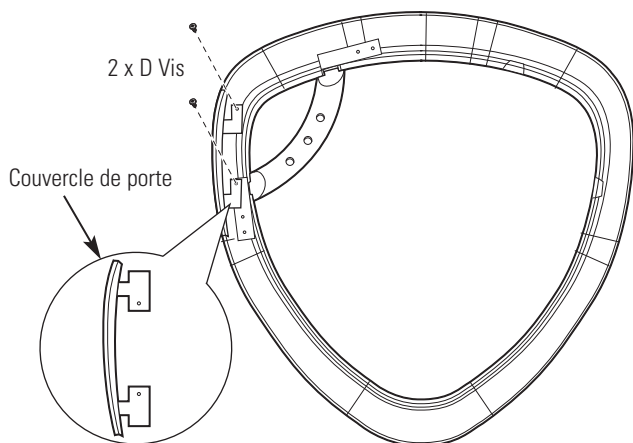
INVERSION DE L'OUVERTURE DE LA PORTE (optionnel) (suite)

3 COMMENT INVERSER LA POIGNÉE ET LES COUVERCLES DE LA PORTE (SUITE)

E Réinstallez la poignée interne sur la poignée externe à l'aide des 3 vis (vis taraudeuses #8 x 0,625 po).



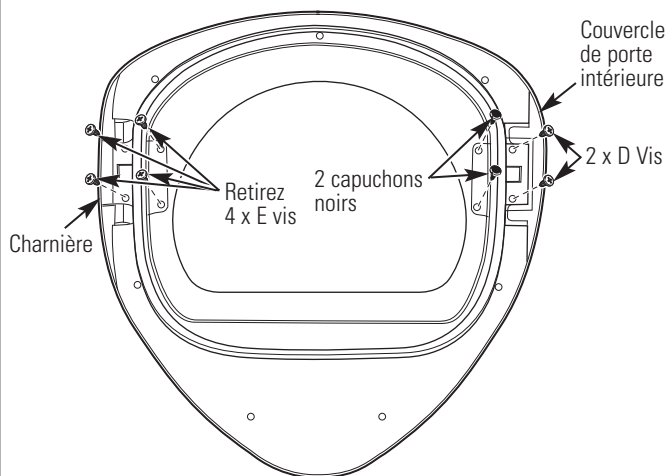
F Installez le nouveau couvercle de porte du côté droit (de l'ensemble d'inversion) à l'aide des 2 vis (vis taraudeuses #8 x 0,625 po).



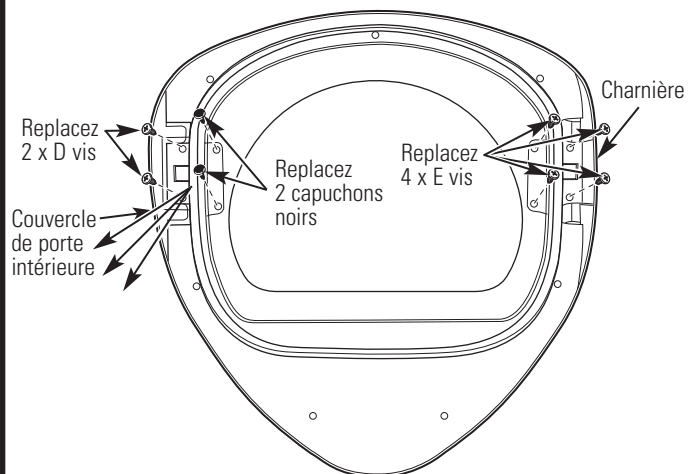
Déposez le couvercle en chrome sur une surface plane, lisse et protégée.

4 COMMENT INVERSER LA CHARNIÈRE ET LES COUVERCLES

- Déposez la contre-porte sur une surface plane, lisse et protégée de sorte que la partie intérieure soit placée vers le haut.
- Retirez 2 capuchons noirs du côté opposé de la charnière, à l'aide d'un couteau à mastic ou un tournevis à fine lame.
- Démontez le couvercle de la porte intérieure de la contre-porte en retirant 2 vis (vis taraudeuses #8 x 0,75 po).
- Démontez la charnière de la porte interne en retirant 4 vis (vis taraud #8-32 x 0,50 po).



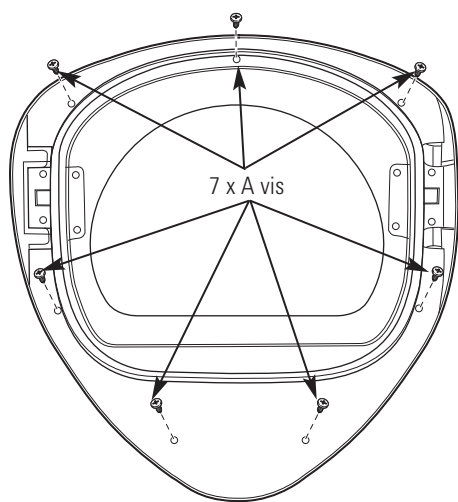
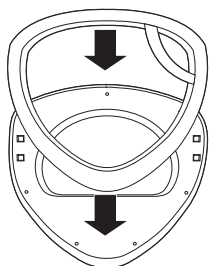
- Installez la charnière sur le côté opposé de la contre-porte à l'aide de 4 vis (vis taraudeuses #8 x 0,50 po).
- Installez le nouveau couvercle de la porte intérieure (de l'ensemble d'inversion) sur le côté opposé de la charnière à l'aide de 2 vis (vis taraudeuses #8 x 0,75 po).
- Installez les 2 capuchons noirs sur le côté opposé de la charnière dans les 2 trous restants.



Instructions d'installation

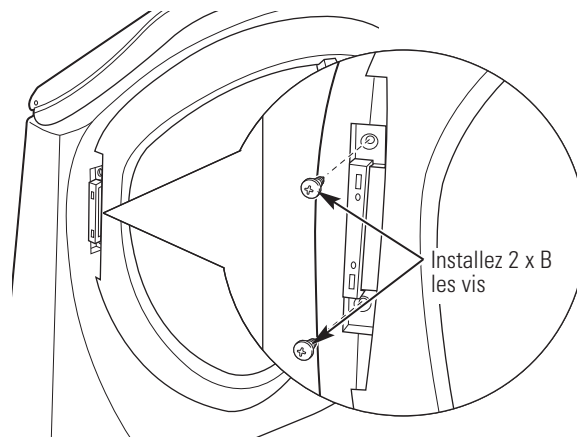
5 COMMENT RÉINSTALLER LA PORTE

Retournez la contre-porte et placez-la sur une surface lisse, plane et protégée de sorte que la partie intérieure soit placée vers le bas. Assemblez le couvercle en chrome sur la contre-porte en les plaçant l'un contre l'autre. Inversez la porte et procédez à son assemblage en utilisant 7 vis (vis taraudeuses #10 x 1,125 po).



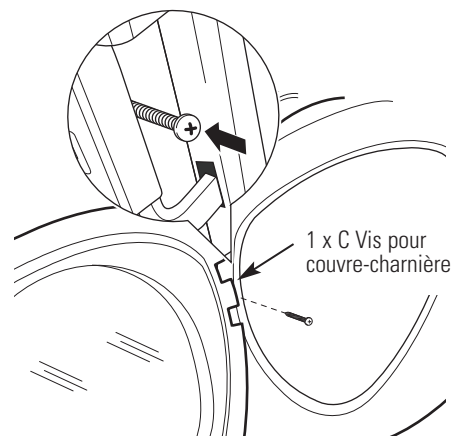
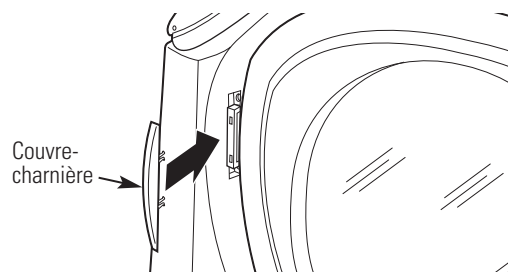
7 COMMENT RÉINSTALLER LA PORTE

Placez la porte sur le panneau avant de la sècheuse, en vous assurant que le loquet est engagé et que la charnière repose dans les deux orifices de l'avant de la sècheuse. Installez la porte sur la carrosserie avant à l'aide des 2 vis (vis taraudeuses #10 x 0,75 po).



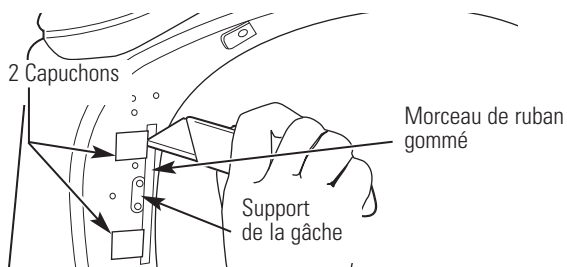
Installez le nouveau couvre-charnière de gauche (de l'ensemble d'inversion) sur la charnière, en ouvrant la porte de la sècheuse et en vissant le couvre-charnière.

REMARQUE : Conservez les capuchons restants si vous souhaitez inverser la charnière à nouveau.



6 COMMENT INVERSER LES CAPUCHONS ET LA GÂCHE DU PANNEAU AVANT

Retirez les 2 capuchons du panneau avant de la sècheuse, à l'aide d'un couteau à mastic ou de tout autre outil plat comme illustré, et réinstallez-les sur le côté opposé. Pivotez la gâche et son couvercle en retirant 2 vis (vis taraudeuses #8 x 0,625 po) et en les réinstallant sur le côté opposé.



REMARQUE : Posez un morceau de ruban gommé sur le côté du capuchon sous lequel la lame du couteau à mastic sera introduite afin d'éviter les rayures.

COMMENT SUPERPOSER LA SÉCHEUSE À LA LAVEUSE (optionnel)

AVANT DE COMMENCER

Lisez ces instructions entièrement et soigneusement.

- **IMPORTANT** – Conservez ces instructions pour l'inspecteur local.
- **IMPORTANT** – Observez tous les codes et les ordonnances en vigueur.
- **Note à l'installateur** – Assurez-vous de laisser ces instructions au consommateur.
- **Note au consommateur** – Conservez ces instructions à titre de référence.
- L'installation de la sècheuse **doit** être effectuée par un installateur qualifié.
- L'installateur est responsable de bien installer cet appareil.

POUR VOTRE SÉCURITÉ :

AVERTISSEMENT –

- Risque de décharge électrique. Coupez l'alimentation électrique avant de procéder à l'installation. Vous risquez de vous blesser gravement si vous ne le faites pas.
- **Blessure corporelle potentielle. La sècheuse doit être soulevée par deux personnes en raison de son poids et de sa taille. Vous risquez de vous blesser gravement, voire mortellement si vous ne tenez pas compte de cette recommandation.**
- Évitez le basculement et le débranchement des services publics. La sècheuse doit être correctement fixée à la laveuse. NE placez PAS la laveuse au dessus de la sècheuse. Vous risquez de vous blesser gravement, voire mortellement ou des dommages matériels si vous ne tenez pas compte de cette recommandation.
- Maison mobile ou préfabriquée Installation – La superposition d'une sècheuse au gaz dans une maison mobile ou préfabriquée n'est pas autorisée.

DÉGAGEMENTS MINIMUMS AUTRES QUE POUR UNE INSTALLATION ENCASTRÉE

Les dégagements minimums par rapport aux surfaces inflammables et pour l'orifice d'aération sont les suivants : 0 po des deux côtés, 25 mm (1 po) à l'avant et 75 mm (3 po) à l'arrière. Veillez à prévoir des dégagements suffisants pour toute installation et réparation.

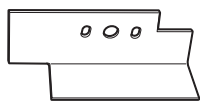
EXIGENCES RELATIVES À UNE INSTALLATION ENCASTRÉE

- Votre sècheuse a été conçue pour être installée dans une alcôve ou un placard, comme l'indique une étiquette figurant sur l'arrière de la sècheuse.
- L'air de la sècheuse **DOIT** être évacué vers l'extérieur. Se reporter au chapitre ÉVACUATION DE LA SÉCHEUSE.
- L'espace minimum entre la carrosserie de la sècheuse et les murs adjacents ou d'autres surfaces :
 - 0 mm (0 po) des deux côtés
 - 75 mm (3 po) avant et arrière
- Distance verticale minimum du sol aux étagères suspendues, armoires, plafonds, etc. de 132 cm (52 po).
- Les portes du placard doivent être perforées ou bien ventilées et disposer d'au moins 150 cm² (60 pouces carrés) d'espace ouvert réparti de façon homogène. Si le placard abrite une laveuse et une sècheuse, les portes doivent disposer de 3 m² (120 pouces carrés) au minimum d'espace ouvert réparti de façon homogène.
- L'air du placard doit être évacué vers l'extérieur afin d'éviter la formation de poches de gaz si le tuyau d'alimentation de gaz transporte du gaz.
- Aucun autre appareil à combustible ne doit être installé dans le même placard que la sècheuse (modèles fonctionnant au gaz uniquement).

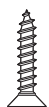
REMARQUE : SI LE TUYAU D'ÉVACUATION EST SITUÉ À L'ARRIÈRE DE LA SÉCHEUSE, L'ESPACE MINIMUM PAR RAPPORT AU MUR EST DE 14 cm (5,5 POUCES).

Instructions d'installation

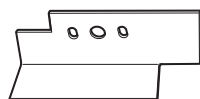
CONTENU DE L'ENSEMBLE



Support droit



4 vis #12 x 1 po



Support gauche



4 vis #8 x 1/2 po



4 cales en caoutchouc

OUTILS NÉCESSAIRES



Tournevis cruciforme



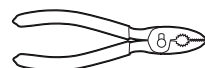
Gants



Clé à fourche



Niveau



Pince

COMMENT PRÉPARER L'INSTALLATION

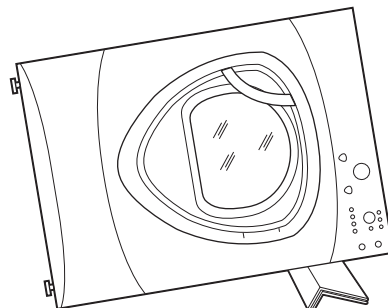
Retirez l'emballage.

Aplatissez le carton pour l'utiliser comme cale pour coucher la sècheuse sur le côté. Utilisez le carton pour protéger également le sol en face de l'endroit choisi pour l'installation.

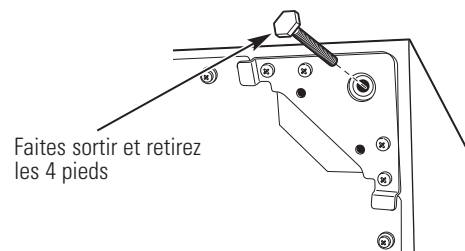
COMMENT INSTALLER L'ENSEMBLE DE SUPPORT DE SUPERPOSITION

1 COMMENT RETIRER LES PIEDS DE NIVELLEMENT DE LA SÈCHEUSE

A. Posez avec précaution la sècheuse sur le côté. Utilisez le matériau d'emballage de manière à ne pas égratigner le fini de la sècheuse.

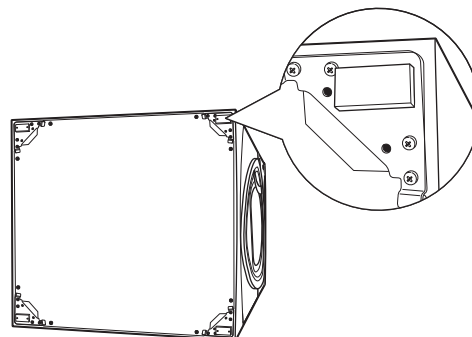


B. Utilisez une clé à fourche ou une pince pour retirer les pieds de la sècheuse.



2 COMMENT INSTALLER LES CALES EN CAOUTCHOUC SUR LA BASE DE LA SÈCHEUSE

Saisissez-vous des 4 cales en caoutchouc situées dans le paquet contenant toutes les pièces. Retirez la pellicule protectrice et collez les cales dans les coins où vous avez retiré les pieds de nivellement.

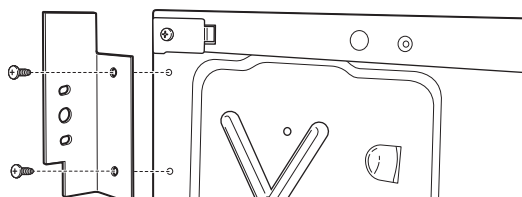


COMMENT SUPERPOSER LA SÉCHEUSE À LA LAVEUSE (optionnel) (suite)

3 COMMENT INSTALLER LE SUPPORT SUR LA SÉCHEUSE

- Alignez les trous du support gauche sur ceux situés dans le coin inférieur gauche de l'appareil. Utilisez un tournevis cruciforme pour installer les 2 vis taraudeuses #12 x 1 po.
- Répétez l'étape ci-dessus avec le support droit sur le coin inférieur droit de la sècheuse.
- Remettez la sècheuse debout.

REMARQUE : Veillez à placer la sècheuse sur une partie de l'emballage de sorte que les supports fixés au bas de la sècheuse n'endommagent pas le sol.

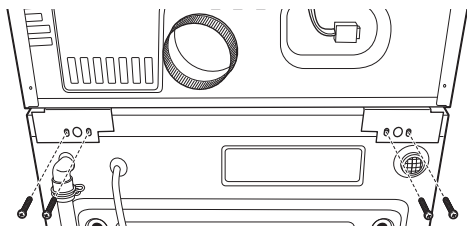


4 COMMENT INSTALLER LA SÉCHEUSE ET LE SUPPORT SUR LA LAVEUSE

- Placez la sècheuse au-dessus de la laveuse. Prenez soin de ne pas égratigner le dessus de la laveuse avec les supports. Protégez le panneau de contrôle avec du carton ou tout autre protection. Prenez soin de soulever la sècheuse à une hauteur suffisante de manière à ne pas masquer le panneau de contrôle de la laveuse.

⚠ AVERTISSEMENT – Blessure corporelle potentielle. Deux personnes sont nécessaires pour soulever la sècheuse en raison de son poids et de sa taille. Vous risquez de vous blesser gravement, voire mortellement si vous ne tenez pas compte de cette recommandation.

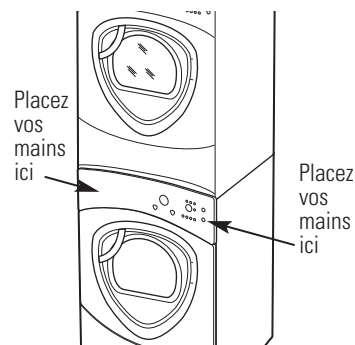
- Alignez les trous du support sur ceux situés à l'arrière de la laveuse. À l'aide d'un tournevis cruciforme, vissez les 2 vis taraudeuses #8 x 1/2 po. Répétez l'opération pour les deux côtés de la laveuse.



5 COMMENT TERMINER L'INSTALLATION

- Reportez-vous aux consignes d'installation pour terminer l'installation de la laveuse.
- Reportez-vous aux consignes d'installation pour terminer l'installation de la sècheuse.
- Poussez avec précaution la laveuse et la sècheuse superposées à leur emplacement définitif. Utilisez des cales en feutre ou tout autre dispositif coulissant pour faciliter le déplacement et protéger le revêtement du sol.

⚠ AVERTISSEMENT – Blessure corporelle potentielle. Ne poussez pas sur la sècheuse lorsqu'elle est installée au-dessus de la laveuse. Si vous poussez sur la sècheuse, vous risquez de vous coincer vos doigts.

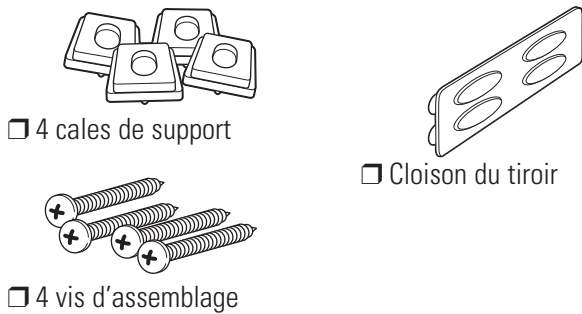


Instructions d'installation

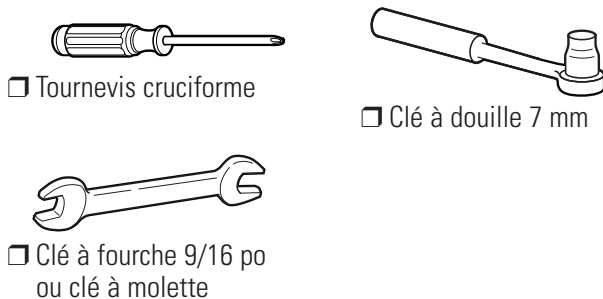
INSTALLATION DU SOCLE (optionnel)

⚠ MISE EN GARDE — En raison de la taille et du poids de ces appareils et afin de réduire le risque de blessure ou de dommage matériel, **L'INSTALLATION DOIT ÊTRE EFFECTUÉE PAR DEUX PERSONNES.**

CONTENU D'ENSEMBLE



OUTILS NÉCESSAIRES



COMMENT PRÉPARER L'INSTALLATION

Retirez l'emballage.

La cloison du tiroir est collée à l'aide de ruban adhésif sur le dessus du carton d'emballage. Retirez la cloison et mettez-la de côté pour l'installation finale.

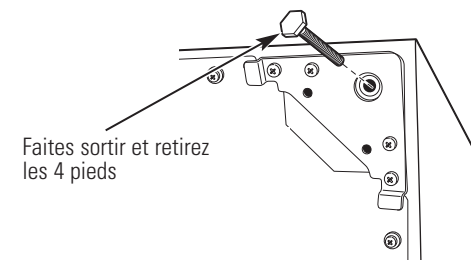
Aplatissez le carton pour l'utiliser comme cale pour poser la sècheuse sur le côté. Utilisez le carton pour protéger également le sol en face de l'endroit choisi pour l'installation.

1 COMMENT RETIRER LES PIEDS

A Déposez avec précaution la laveuse ou la sècheuse sur le côté pour accéder aux pieds situés au bas de l'appareil.

IMPORTANT : Ne déposez pas la sècheuse ou la laveuse sur sa partie arrière ! Ne retirez pas les boulons de transport situés à l'arrière de la laveuse. Les boulons doivent rester en place jusqu'à ce que la laveuse soit remise debout.

B Utilisez une clé à fourche pour retirer les pieds de la laveuse ou de la sècheuse.

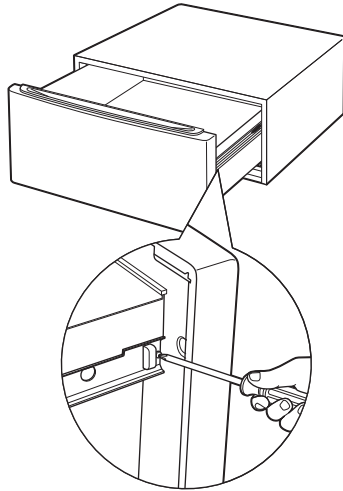


INSTALLATION DU SOCLE (optionnel) (suite)

2 COMMENT PRÉPARER LE SOCLE

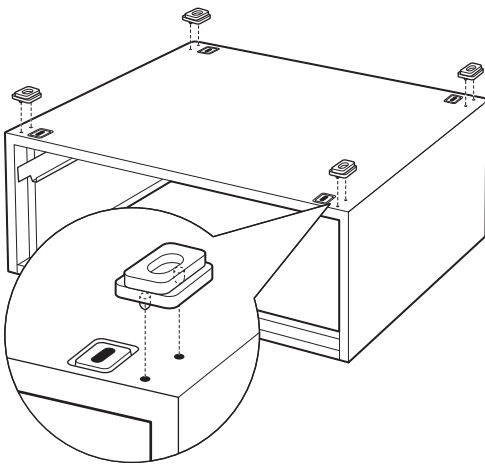
A Tirez le tiroir au maximum.

B Retirez les vis des glissières du tiroir. Faites sortir le tiroir hors de la base et laissez-le de côté.



POUR LES SÈCHEUSES UNIQUEMENT :

C Saisissez-vous des 4 cales de support dans le paquet contenant toutes les pièces. Chaque cale possède 2 protubérances qui s'insèrent dans les trous situés sur le socle. Enfoncez les cales en caoutchouc dans les trous dans chaque coin sur le dessus du socle comme indiqué.

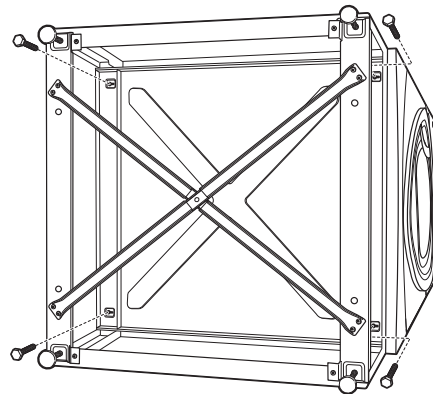


REMARQUE : Les cales de support ne doivent être installées que sur la sècheuse. N'INSTALLEZ PAS CES CALES SUR LE SOCLE DE LA LAVEUSE.

3 COMMENT INSTALLER LE SOCLE SUR LA LAVEUSE OU LA SÈCHEUSE

A Placez le socle au bas de l'appareil. Veillez à ce que l'avant du tiroir soit placé à l'avant de la laveuse.

B Alignez les trous du socle sur ceux situés au bas de l'appareil. Utilisez un tournevis cruciforme pour installer les 4 boulons dans le socle et la base de l'appareil. Ne les serrez pas.

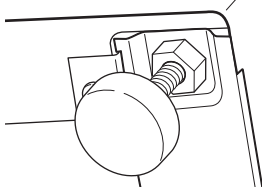


C Faites glisser le socle vers l'appareil, jusqu'à ce qu'il soit aligné de l'avant sur l'arrière. Utilisez une clé à douille 7 mm pour serrer les boulons.

Instructions d'installation

4 COMMENT METTRE LA LAVEUSE OU LA SÉCHEUSE DE NIVEAU

- A** Placez la laveuse ou la sécheuse debout. Placez-la proximité de l'endroit où vous avez prévu de l'installer.
- B** Assurez-vous que l'appareil est de niveau en plaçant un niveau dessus. Vérifiez le niveau de gauche à droite, et de l'avant vers l'arrière.
- C** Utilisez une clé à fourche pour régler les pieds. Vissez l'écrou de blocage au bas du socle.



REMARQUE : Afin de réduire les vibrations, les écrous de blocage doivent être serrés au maximum.

6 COMMENT RETIRER LES VIS DE TRANSPORT

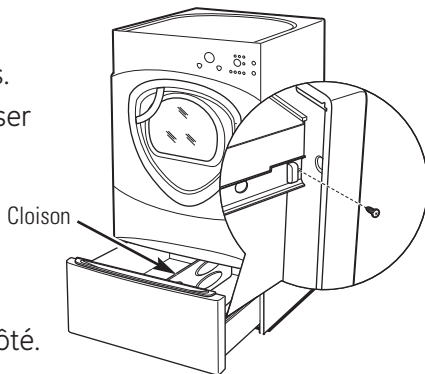
Retirez les 4 vis de transport situées à l'arrière de la laveuse.

7 COMMENT TERMINER L'INSTALLATION

Reportez-vous aux consignes d'installation de la laveuse ou de la sécheuse pour l'installer correctement.

5 COMMENT RÉINSTALLER LE TIROIR

- A** Vérifiez si les glissières sont fermées.
- B** Faites coulisser le tiroir dans l'ouverture. Alignez les supports du tiroir sur les glissières de chaque côté.
- C** Réinstallez les vis dans chaque glissière de tiroir. Serrez les deux vis.
- D** Ouvrez complètement le tiroir. Faites glisser la cloison dans les rainures situées au centre du tiroir. Le tiroir doit coulisser en douceur lorsque vous le poussez vers le fond.



Avant d'appeler un réparateur...



Conseils de dépannage—Économisez du temps et de l'argent!
Consultez d'abord les tableaux ci-dessous et vous pourrez peut-être éviter de faire appel à un réparateur.

Problème	Causes possibles	Correctifs
La sècheuse émet des secousses et des bruits	Le bruit/ou les secousses sont normaux. La sècheuse est peut-être placée sur une surface inégale	<ul style="list-style-type: none"> Placez l'appareil sur une surface plane, ou ajustez les pieds au besoin jusqu'à ce qu'il soit bien de niveau.
Le séchage est trop long	Des conduits inadéquats ou bouchés	<ul style="list-style-type: none"> Consultez les consignes d'installation afin de vous assurer que l'évacuation de l'air de la sècheuse est correcte. Veillez à ce que le conduit soit propre, non déformé et non bouché. Assurez-vous que l'évent mural extérieur fonctionne sans problème.
	Tri erroné	<ul style="list-style-type: none"> Séparez les articles lourds des légers (en général un linge correctement trié dans la laveuse l'est aussi dans la sècheuse).
	Charges de tissus lourds (serviettes par exemple)	<ul style="list-style-type: none"> Les tissus lourds et de grande taille contiennent de l'humidité et tardent davantage à sécher. Répartissez les tissus lourds et de grande taille en de plus petites charges pour accélérer le séchage.
	Les commandes sont mal réglées	<ul style="list-style-type: none"> Réglez les commandes conformément à la charge que vous séchez.
	Le filtre à charpie est plein	<ul style="list-style-type: none"> Nettoyez le filtre à charpie avant chaque utilisation.
	Fusibles grillés ou disjoncteur déclenché	<ul style="list-style-type: none"> Remplacez les fusibles ou réenclenchez les disjoncteurs. La plupart des sècheuse étant équipées de 2 fusibles/disjoncteurs, assurez-vous que les deux fonctionnent.
	Surcharge/charges mixtes	<ul style="list-style-type: none"> Ne mettez pas plusieurs charges dans la sècheuse à la fois.
Le niveau de séchage DRY a été sélectionné mais le linge est toujours humide	Charge insuffisante	<ul style="list-style-type: none"> Si vous ne séchez qu'un ou deux articles, ajoutez d'autres vêtements afin d'obtenir un bon culbutage.
	La brassée est composée de vêtements lourds et légers	<ul style="list-style-type: none"> Lorsque vous mélangez les tissus lourds et légers, sélectionnez MORE DRY (PLUS SEC).
Les touches de commande ne répondent pas	Le système d'évacuation est bloqué	<ul style="list-style-type: none"> Inspectez et nettoyez-le.
	Les commandes ont été accidentellement réglées au mode réparation	<ul style="list-style-type: none"> Appuyez sur START/PAUSE (MISE EN MARCHÉ/PAUSE).
	Les commandes ont été accidentellement réglées au mode verrouillage	<ul style="list-style-type: none"> Maintenez la touche LOCK (VERROUILLAGE) enfoncée pendant 3 secondes pour déverrouiller la sècheuse.
La sècheuse ne démarre pas	Les commandes fonctionnement mal	<ul style="list-style-type: none"> Réenclenchez le disjoncteur de votre domicile.
	Le panneau de contrôle est en « veille »	<ul style="list-style-type: none"> C'est normal. Appuyez sur POWER (ALIMENTATION) pour activer le panneau de contrôle.
	La sècheuse est débranchée	<ul style="list-style-type: none"> Veillez à ce que la fiche de la sècheuse soit entièrement branchée dans la prise.
	Fusible grillé/disjoncteur déclenché	<ul style="list-style-type: none"> Vérifiez le fusible disjoncteur et remplacez le fusible ou réenclenchez le disjoncteur. REMARQUE : Les sècheuses électriques utilisent deux fusibles ou disjoncteurs.
	La sècheuse a été arrêtée par inadvertance au moment de régler la fonction Delay Start (Mise en marche différée)	<ul style="list-style-type: none"> Si la lumière de la touche START/PAUSE (MISE EN MARCHÉ/PAUSE) clignote, la sècheuse est arrêtée. Appuyez sur START/PAUSE (MISE EN MARCHÉ/PAUSE) pour lancer le compte à rebours.
Aucun chiffre n'apparaît pendant le cycle, il ne fait que s'allumer	La sècheuse évalue la quantité d'humidité du linge	<ul style="list-style-type: none"> C'est normal. Lorsque la sècheuse détectera un faible niveau d'humidité dans le linge, elle affichera le temps de séchage restant.

Problème	Causes possibles	Correctifs
Le temps restant a diminué	Le temps estimé risque de changer lorsqu'une charge plus petite est en train de sécher	<ul style="list-style-type: none"> C'est normal.
Impossible de procéder à une sélection et la sècheuse émet un double bip	L'option DRYNESS LEVEL (NIVEAU DE SÉCHAGE), TEMP (TEMPERATURE) ou l'OPTION que vous tentez de sélectionner est incompatible avec le cycle de séchage sélectionné	<ul style="list-style-type: none"> C'est normal.
La sècheuse fonctionne mais 00 est le temps restant affiché	L'option EXTEND TUMBLE (CULBUTAGE PROLONGÉ) a été sélectionnée	<ul style="list-style-type: none"> C'est normal. Pendant un culbutage prolongé, le temps restant n'est pas affiché. L'option de culbutage prolongé dure environ 20 minutes.
Nettoyez le filtre à charpie (message)	Le bouton POWER (ALIMENTATION) a été activé	<ul style="list-style-type: none"> Appuyez sur START/PAUSE (MISE EN MARCHÉ/PAUSE) pour lancer un cycle de séchage et le message disparaîtra.
La sècheuse ne chauffe pas	Fusible grillé/disjoncteur déclenché, la sècheuse peut tourner mais ne chauffe pas	<ul style="list-style-type: none"> Vérifiez le fusible disjoncteur et remplacez le fusible ou réenclenchez le disjoncteur. Votre sècheuse peut tourner si un fusible est grillé ou un disjoncteur est déclenché.
	L'alimentation de gaz est coupée	<ul style="list-style-type: none"> Assurez-vous que le robinet d'arrêt du gaz sur la sècheuse et que le robinet principal sont ouverts.
	Le réservoir de gaz propane est vide ou il y a eu une coupure de gaz naturel (modèles à gaz)	<ul style="list-style-type: none"> Faites le plein ou remplacez le réservoir. La sècheuse chauffe lorsque l'alimentation en gaz est restaurée.
Temps de séchage non uniformes	Type de chaleur	<ul style="list-style-type: none"> Le temps de séchage variera en fonction du type de chauffage utilisé. Si vous avez récemment remplacé votre sècheuse électrique par un modèle à gaz propane, ou vice-versa, le temps de séchage peut ne pas être le même.
	Type de charge et conditions de séchage	<ul style="list-style-type: none"> La taille du linge, les types de tissus, l'humidité du linge et la longueur et l'état du système d'évacuation auront une influence sur le temps de séchage.
Lueur à l'arrière du tambour	Éléments chauffants derrière le tambour	<ul style="list-style-type: none"> C'est normal. Dans certaines conditions de séchage et d'éclairage de la pièce, la lueur des éléments peut être visible à l'arrière du tambour.
Le linge est toujours humide et la sècheuse s'est arrêtée après quelques instants	La porte a été ouverte au milieu du cycle. Le linge a été ensuite retiré de la sècheuse et une nouvelle charge introduite sans sélectionner un nouveau cycle	<ul style="list-style-type: none"> Un cycle de séchage doit être sélectionné chaque fois qu'une nouvelle brassée est placée dans l'appareil.
	Charge petite	<ul style="list-style-type: none"> Si vous séchez 3 articles au plus, sélectionnez SPEED DRY (SÉCHAGE RAPIDE) ou TIMED DRY (SÉCHAGE MINUTÉ).
	Le linge est déjà sec à l'exception des cols et les ceintures	<ul style="list-style-type: none"> Sélectionner SPEED DRY (SÉCHAGE RAPIDE) ou TIMED DRY (SÉCHAGE MINUTÉ) pour sécher des cols et des ceintures. À l'avenir, lorsque vous séchez des articles possédant des cols et des ceintures, sélectionnez plutôt MORE DRY (PLUS SEC).
	La sècheuse n'est pas placée sur une surface plane	<ul style="list-style-type: none"> Placez l'appareil sur une surface plane, ou ajustez les pieds au besoin jusqu'à ce qu'il soit bien de niveau.
Le linge est froissé	Séchage excessif	<ul style="list-style-type: none"> Sélectionnez un temps de séchage plus court. Retirez du linge pendant qu'il est encore légèrement humide. Sélectionnez les options LESS DRY (MOINS SEC) ou DAMP (HUMIDE).
	Linge laissé dans la sècheuse alors que le cycle est fini	<ul style="list-style-type: none"> Retirez le linge une fois le cycle terminé, pliez et suspendez-le immédiatement, ou utilisez l'option EXTEND TUMBLE (CULBUTAGE PROLONGÉ).
	Surcharge	<ul style="list-style-type: none"> Répartissez les tissus lourds et de grande taille en de plus petites charges.

Avant d'appeler un réparateur...



Conseils de dépannage

Problème	Causes possibles	Correctifs
Le linge a rétréci	Certains tissus rétréciront naturellement au lavage. D'autres peuvent être lavés sans problème, mais rétréciront dans la sècheuse	<ul style="list-style-type: none"> • Afin d'éviter tout rétrécissement, suivez les indications figurant sur les étiquettes des vêtements. • Certains vêtements doivent être étirés après le séchage afin qu'ils retrouvent leur forme d'origine. • Si vous avez peur qu'un vêtement rétrécisse, ne le lavez pas à la machine ou ne le séchez pas dans la sècheuse.
Des tâches de gras sur le linge	Une utilisation inadéquate de l'assouplissant	<ul style="list-style-type: none"> • Suivez le mode d'emploi figurant sur l'emballage de l'assouplissant.
	Séchage de linge propre avec du linge sale	<ul style="list-style-type: none"> • Utilisez votre sècheuse pour ne sécher que du linge propre. Le linge sale risque de tacher le linge propre et la sècheuse.
	Le linge n'était pas complètement propre	<ul style="list-style-type: none"> • Il arrive parfois que des taches ne soient pas visibles lorsque le linge est humide et <i>apparaissent</i> après le séchage. Utilisez des procédures de lavage adéquates avant le séchage.
De la charpie sur le linge	Le filtre à charpie est plein	<ul style="list-style-type: none"> • Nettoyez le filtre à charpie avant chaque utilisation.
	Tri erroné	<ul style="list-style-type: none"> • Triez les tissus producteurs de charpie (chenille par exemple) des tissus collecteurs de charpie (le velours côtelé par exemple).
	L'électricité statique peut attirer la charpie	<ul style="list-style-type: none"> • Se reporter aux suggestions de la section ÉLECTRICITÉ STATIQUE.
	Surcharge	<ul style="list-style-type: none"> • Répartissez les tissus lourds et de grande taille en de plus petites charges.
	Papier, mouchoir, etc., oubliés dans les poches	<ul style="list-style-type: none"> • Videz toutes les poches avant de laver le linge.
Électricité statique	Aucun assouplissant n'a été utilisé	<ul style="list-style-type: none"> • Essayez un assouplissant. • Les feuilles d'assouplissant textile de marque Bounce^{MD} ont été approuvées pour toutes les sècheuses GE lorsqu'elles sont utilisées conformément aux instructions du fabricant.
	Séchage excessif	<ul style="list-style-type: none"> • Essayez un assouplissant. • Réglez l'option LESS DRY (MOINS SEC) ou DAMP (HUMIDE).
	Les synthétiques, les mélanges et les infroissables peuvent provoquer de l'électricité statique	<ul style="list-style-type: none"> • Essayez un assouplissant.
Les cols et les ceintures sont toujours humides à la fin du cycle	Le capteur d'humidité détecte que la majeure partie du linge est sèche	<ul style="list-style-type: none"> • Sélectionnez SPEED DRY (SÉCHAGE RAPIDE) ou TIMED DRY (SÉCHAGE MINUTÉ) pour sécher les cols et les ceintures humides. À l'avenir, lorsque vous séchez des articles possédant des cols et des ceintures, sélectionnez plutôt MORE DRY (PLUS SEC).
Légère variation de la couleur métallique	C'est normal	<ul style="list-style-type: none"> • En raison des propriétés métalliques de la peinture utilisée pour ce produit, de légères variations de couleur peuvent se produire en raison des conditions d'éclairage et des angles d'observation.

Problème	Causes possibles	Correctifs
<i>La porte est trop embuée pour apercevoir les vêtements durant un cycle vapeur</i>	La vapeur se condense sur la porte intérieure	• C'est normal.
<i>L'eau visible à l'intérieur de la porte et sur le haut du filtre à charpie lors de l'ouverture de la porte après un cycle vapeur</i>	La vapeur se condense sur ces surfaces	• C'est normal.
<i>De petites zones sont humides sur les vêtements après un cycle vapeur</i>	La vapeur se condense sur le tambour intérieur	• Sélectionnez un cycle plus court.
	Le cycle ou la durée du cycle sélectionné est trop long pour la grosseur de la brassée	• Réduire manuellement la durée du cycle pour ledit cycle.
<i>De petites quantités d'eau sont retrouvées sur le plancher, devant la sècheuse</i>	Une mauvaise grosseur de brassée pour le cycle vapeur a été sélectionnée, un excès de vapeur se condense à l'intérieur du cabinet et fuit	• Sélectionnez un cycle plus court. Réduisez manuellement la durée du cycle pour ledit cycle.
<i>De l'eau sur le plancher, derrière la sècheuse</i>	Une connexion du tuyau d'eau à la valve n'est pas assez serrée	• Resserrez la connexion.
	Une rondelle de caoutchouc du boyau est manquante sur la connexion avec la valve	• Installez la rondelle de caoutchouc fournie avec le boyau.
<i>La sècheuse émet des bruits d'eau</i>	La valve d'eau est ouverte, remplissant le générateur de vapeur	• C'est normal.
	Le générateur de vapeur émet de la vapeur dans le tambour	• C'est normal.
<i>De l'eau dégouline de la porte lorsque cette dernière est ouverte après un Cycle Vapeur</i>	La vapeur se condense sur la porte intérieure	• C'est normal.
<i>Ne peut voir la vapeur au début du cycle</i>	La vapeur est relâchée à différents moments durant le cycle	• C'est normal.
<i>Les vêtements sont encore froissés après un cycle vapeur</i>	Trop de vêtements	• Insérez moins de vêtements ; augmentez manuellement la durée du cycle.
<i>La sècheuse continue le culbutage après l'affichage qui dit Complete (Terminer)</i>	Extend Tumble a été sélectionnée	• Assurez-vous que l'option Extend Tumble n'est pas sélectionnée.

Garantie de la sècheuse GE. (Pour des clients au les États-Unis)



Tout le service sous garantie est fourni par nos Centres de service ou par un technicien autorisé. Pour le service, appelez le 1.800.561.3344.

Veillez fournir le numéro de série et le numéro de modèle lorsque vous appelez pour obtenir le service.

Attachez votre reçu ici.
Une preuve de la date d'achat d'origine est nécessaire pour obtenir le service sous garantie.

Pour une période de :	Nous remplacerons :
Un an À partir de la date d'achat d'origine	Toute pièce de la sècheuse qui se révèle défectueuse en raison d'un vice de matériaux ou de fabrication. Pendant cette garantie limitée d'un an , GE prendra en charge également, gratuitement , tous les frais de main-d'oeuvre et les frais connexes de service pour remplacer la pièce défectueuse.
Deuxième année À partir de la date d'achat d'origine	Toute pièce de la sècheuse qui se révèle défectueuse en raison d'un vice de matériaux ou de fabrication. Pendant cette garantie limitée supplémentaire d'un an , les frais de service ou de main-d'oeuvre correspondants seront à votre charge.
Deux à cinq ans À partir de la date d'achat d'origine	Le tambour extra ou super de la sècheuse et le circuit électronique principal si l'une de ces pièces tombe en panne à cause d'un vice de matériaux ou de main-d'oeuvre. Pendant cette garantie limitée supplémentaire de trois ans , les frais de service ou de main-d'oeuvre correspondants seront à votre charge.

Ce qui n'est pas couvert (au les États-Unis) :

- Les frais de déplacements à votre maison pour vous apprendre à utiliser votre produit.
- Une mauvaise installation, livraison ou entretien.
- Une panne du produit si celui-ci est maltraité, mal utilisé ou utilisé à des fins autres que celles auxquelles il est destiné, ou utilisé commercialement.
- Remplacement de l'ampoule lumineuse après sa durée de vie utile prévue.
- Le remplacement de fusibles de la maison ou le réenclenchement des disjoncteurs.
- Des dommages au produit causés par un accident, un incendie, une inondation ou une catastrophe naturelle.
- Tout dommage indirect ou consécutif causé par des pannes possibles de cet appareil électroménager.
- Des dommages après la livraison.
- Le service s'il est impossible d'avoir accès au produit pour l'effectuer.

EXCLUSION DE GARANTIES IMPLICITES—Votre seul et unique recours est la réparation du produit selon les dispositions de cette Garantie limitée. Toutes les garanties implicites, incluant les garanties de qualité marchande et de convenance, sont limitées à une année ou à la période la plus courte autorisée par la législation.

Cette garantie est offerte à l'acheteur initial et à tout propriétaire subséquent d'un produit acheté aux États-Unis à des fins d'usage domestique. Si le produit est situé dans une localité où un réparateur autorisé GE n'est pas disponible, vous pourriez encourir des frais de déplacement ou devoir acheminer le produit à un réparateur autorisé GE pour faire réparer l'appareil. En Alaska, cette garantie exclut les frais d'expédition et les visites de service à votre domicile.

Certains États ou provinces ne permettent pas l'exclusion ou la restriction des dommages accessoires ou indirects. Certains droits particuliers vous sont dévolus en vertu de la présente garantie et peuvent s'accompagner d'autres droits qui varient selon votre lieu de résidence. Pour connaître la nature exacte de vos droits, consultez l'organisme de protection du consommateur de votre région, ou encore le bureau du procureur général de l'État.

Garant : General Electric Company, Louisville, KY 40225

Garantie de la sècheuse GE. (Pour des clients au Canada)



Tout le service sous garantie est fourni par nos Centres de service ou par un technicien autorisé. Pour le service, appelez le 1.800.561.3344.

Veillez fournir le numéro de série et le numéro de modèle lorsque vous appelez pour obtenir le service.

Pour une période de :	Nous remplacerons :
Un an À partir de la date d'achat d'origine	Toute pièce de la sècheuse qui se révèle défectueuse en raison d'un vice de matériaux ou de fabrication. Pendant cette garantie limitée de un an , GE prendra en charge également, gratuitement , tous les frais de main-d'œuvre et les frais connexes de service pour remplacer la pièce défectueuse.
Deuxième année À partir de la date d'achat d'origine	Toute pièce de la sècheuse qui se révèle défectueuse en raison d'un vice de matériaux ou de fabrication. Pendant cette garantie limitée supplémentaire d'un an , les frais de service ou de main-d'œuvre correspondants seront à votre charge.
Deux à cinq ans À partir de la date d'achat d'origine	Le tambour extra ou super de la sècheuse et le circuit électronique principal si l'une de ces pièces tombe en panne à cause d'un vice de matériaux ou de main-d'œuvre. Pendant cette garantie limitée supplémentaire de trois ans , les frais de service ou de main-d'œuvre correspondants seront à votre charge.

Ce qui n'est pas couvert :

- Les frais de déplacements à votre maison pour vous apprendre à utiliser votre produit.
- Une mauvaise installation, livraison ou entretien.
- Une panne du produit si celui-ci est maltraité, mal utilisé ou utilisé à des fins autres que celles auxquelles il est destiné, ou utilisé commercialement.
- Remplacement de l'ampoule lumineuse après sa durée de vie utile prévue.
- Le remplacement de fusibles de la maison ou le réenclenchement des disjoncteurs.
- Des dommages au produit causés par un accident, un incendie, une inondation ou une catastrophe naturelle.
- Tout dommage indirect ou consécutif causé par des pannes possibles de cet appareil électroménager.
- Des dommages après la livraison.
- Le service s'il est impossible d'avoir accès au produit pour l'effectuer.

EXCLUSION DE GARANTIES IMPLICITES – Votre seul et unique recours est la réparation du produit selon les dispositions de cette Garantie limitée. Toutes les garanties implicites, incluant les garanties de qualité marchande et de convenance, sont limitées à une année ou à la période la plus courte autorisée par la législation.

Cette garantie est offerte à l'acheteur original et à tout autre propriétaire suivant pour les produits achetés au Canada pour une utilisation domestique au Canada. Le service à domicile en vertu de la garantie sera fourni dans les régions où il est disponible et où Mabe estime raisonnable de le fournir.

LE GARANT N'EST PAS RESPONSABLE DES DOMMAGES INDIRECTS.

Garant : MABE CANADA INC.

Soutien au consommateur.



Site Web appareils électroménagers GE

Aux É.-U. : ge.com

Vous avez une question ou vous avez besoin d'aide pour votre appareil électroménager? Visitez notre site Web consacré aux appareils électroménagers GE, et ce 24 heures par jour, tous les jours de l'année! Pour des raisons de commodité et pour accélérer le service, vous pouvez maintenant télécharger les manuels du propriétaire, commander des pièces et même programmer les visites de service en ligne. **Au Canada: www.geappliances.ca**



Service de réparation

Aux É.-U. : ge.com

Un service de réparation expert GE se trouve à quelques pas de chez vous. Visitez notre site et programmez, à votre convenance, une visite de service à n'importe quel jour de l'année! Ou composez le 800.GE.CARES (800.432.2737) durant les heures normales de bureau.

Au Canada, composez le 1.800.561.3344



Studio de conception universel

Aux É.-U. : ge.com

GE appuie le concept de design universel—des produits, des services et des environnements qui peuvent être utilisés par des personnes de tous âges, tailles et capacités. Nous reconnaissons le besoin de concevoir des produits pour un vaste éventail d'aptitudes et déficiences mentales et physiques. Visitez notre site Web aujourd'hui pour obtenir plus de renseignements sur l'application du design universel par GE, y compris des conceptions de cuisine pour les personnes handicapées. Dans le cas de personnes malentendantes, veuillez composer le 800.TDD.GEAC (800.833.4322).

Au Canada, contactez : Manager, Consumer Relations, Mabe Canada Inc.
Suite 310, 1 Factory Lane
Moncton, N.B. E1C 9M3

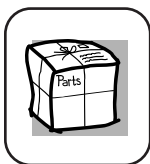


Prolongation de garantie

Aux É.-U. : ge.com

Achetez un contrat d'entretien GE et informez-vous des rabais spéciaux en vigueur pendant toute la durée de votre garantie. Vous pouvez vous le procurer en ligne ou en composant le 800.GE.CARES (800.432.2737) durant les heures normales de bureau. Les services à domicile GE seront toujours disponibles après l'expiration de la garantie.

Au Canada, composez le 1.888.261.2133



Pièces et accessoires

Aux É.-U. : ge.com

Les personnes ayant les compétences requises pour réparer elles-mêmes leurs appareils peuvent recevoir directement à la maison des pièces ou accessoires (les cartes VISA, MasterCard et Discover sont acceptées). Commandez en ligne dès aujourd'hui, 24 heures sur 24 tous les jours, ou en téléphonant au 800.626.2002 durant les heures normales de bureau.

Les instructions contenues dans le présent manuel comportent des procédures que tout utilisateur peut effectuer. Les autres types de réparation doivent généralement être confiés à un technicien qualifié. Utilisez de prudence : une réparation ou un entretien mal effectués peuvent rendre l'utilisation de l'appareil dangereuse.

Les consommateurs **au Canada** doivent consulter les pages jaunes pour connaître le centre de service Mabe le plus proche, ou composer le 1.800.661.1616.



Communiquez avec nous

Aux É.-U. : ge.com

Si vous n'êtes pas satisfait du service après-vente de GE, communiquez avec nous sur notre site Web en fournissant tous les détails et votre numéro de téléphone, ou écrivez à :

General Manager, Customer Relations
GE Appliances, Appliance Park
Louisville, KY 40225

Au Canada: www.geappliances.ca, ou écrivez à :

Director, Consumer Relations, Mabe Canada Inc.
Suite 310, 1 Factory Lane
Moncton, N.B. E1C 9M3



Enregistrez votre électroménager

Aux É.-U. : ge.com

Enregistrez votre nouvel appareil en ligne au moment qui vous convient le mieux! L'enregistrement de votre produit dans les délais prescrits permet une meilleure communication et un service rapide, selon les modalités de votre garantie, si besoin est. Vous pouvez également envoyer par courrier la carte d'enregistrement pré-imprimée qui se trouve dans l'emballage de votre appareil. **Au Canada: www.geappliances.ca**

Instrucciones de seguridad102-104

Instrucciones de funcionamiento

Características
de la secadora110, 111
Cómo usar la secadora112
Controles105-108
Guía de inicio rápido105
Opciones de ciclo109, 110

Instrucciones de instalación

Antes de comenzar113, 114
Cómo apilar la lavadora
y la secadora138-140
Cómo conectar mangueras
de entrada116
Cómo conectar
una secadora eléctrica120-123
Cómo conectar
una secadora a gas117-119
Cómo instalar el pedestal ...141-143
Cómo invertir la apertura
de la puerta132-137
Configuración final131
Salida al exterior
de la secadora124-130
Ubicación de la secadora ...114, 115

Consejos para solución de problemas144-147

Soporte al consumidor

Garantía (EE.UU.) 150
Soporte al consumidor 151

GUARDE ESTAS INSTRUCCIONES

Escriba los números de modelo y de serie aquí:

Modelo # _____

Serie # _____

Se encuentran en una etiqueta en el frente de la secadora detrás de la puerta.

Instrucciones de seguridad

Instrucciones de funcionamiento

Consejos para la solución de problemas

Soporte al consumidor

INFORMACIÓN IMPORTANTE DE SEGURIDAD. LEA TODAS LAS INSTRUCCIONES ANTES DE USAR.

⚠ ¡ADVERTENCIA!

Para su seguridad, debe cumplirse con la información de este manual a fin de minimizar el riesgo de incendio o explosión, descarga eléctrica o para prevenir daños a la propiedad, lesiones personales o la muerte.

■ No almacene o use gasolina u otros vapores o líquidos inflamables cerca de este o cualquier otro artefacto.

■ La instalación y servicio técnico deben realizarlos un instalador calificado, una agencia de servicio o el proveedor de gas.

QUÉ HACER SI HUELE GAS:

1 No trate de encender un fósforo, cigarrillo o accionar cualquier artefacto a gas o eléctrico.

4 Inmediatamente llame a su proveedor de gas desde el teléfono de un vecino. Siga cuidadosamente las instrucciones del proveedor de gas.

2 No toque ningún interruptor eléctrico, ni utilice ningún teléfono en su edificio.

5 Si no puede comunicarse con el proveedor de gas, llame al departamento de bomberos.

3 Evacue la habitación, edificio o área de todos sus ocupantes.

Ley sobre agua potable inocua y tratamiento de residuos tóxicos de California

Esta ley exige que el Gobernador de California publique una lista de sustancias que según el estado provoquen cáncer, defectos congénitos u otros daños reproductivos, y exige a las empresas que adviertan a los clientes sobre la exposición potencial a dichas sustancias.

Los artefactos de gas pueden provocar una exposición mínima a estas sustancias, a saber, benceno, monóxido de carbono, formaldehído y hollín, generados principalmente por la combustión incompleta de gas natural o combustibles LP.

Las secadoras bien ajustadas minimizarán la combustión incompleta. La exposición a estas sustancias puede minimizarse aún más mediante una ventilación adecuada hacia el exterior.



INSTALACIÓN ADECUADA

Esta secadora debe instalarse de manera adecuada y ubicarse de acuerdo con las Instrucciones de Instalación antes de comenzar el uso. Las Instrucciones de instalación están incluidas en la parte trasera de esta manual.

- Conecte a tierra la secadora para cumplir con los códigos y ordenanzas vigentes. Siga los detalles de las Instrucciones de instalación.
- Almacene e instale el artefacto donde no sufra temperaturas bajo cero o condiciones climáticas externas.
- Conecte a un circuito de suministro de energía con clasificación, protección y tamaño adecuados para evitar una sobrecarga eléctrica.
- Quite todos los elementos de empaque filosos y elimine todos los materiales de empaque correctamente.

Salida al exterior/Conductos

- 1 Las secadoras **DEBEN** tener una salida al exterior para evitar que grandes cantidades de humedad y pelusas queden dentro de la habitación.
- 2 Use sólo conductos rígidos de metal de 4" de diámetro dentro del gabinete de la secadora. Utilice sólo conductos rígidos o flexibles de metal de 4 pulgadas de diámetro para la salida al exterior. Nunca use conductos de plástico u otros conductos combustibles fáciles de perforar.

Para detalles completos, siga las Instrucciones de instalación.

⚠ ¡ADVERTENCIA!



SU ÁREA DE LAVADERO

- Mantenga el área debajo y alrededor de sus artefactos libre de materiales combustibles (pelusas, papel, trapos, etc.), gasolina, químicos y otros vapores y líquidos inflamables.
- Mantenga el piso cercano a sus artefactos limpio y seco para reducir la posibilidad de resbalarse.
- Se requiere una supervisión estricta cuando cualquier artefacto es utilizado por niños o en su cercanía. No permita que los niños jueguen sobre, con o dentro de este o cualquier otro artefacto.
- Mantenga el área alrededor de la salida y las áreas cercanas libres de acumulación de pelusas, polvillo y suciedad.
- Mantenga los elementos de lavado (tales como detergentes, lejías, etc.) fuera del alcance de los niños, preferentemente en un gabinete cerrado con llave. Cumpla con todas las advertencias de las etiquetas para evitar lesiones.
- Nunca se suba o pare sobre la secadora.



CUANDO USE SU SECADORA

- Nunca introduzca las manos dentro de la secadora mientras el tambor esté en movimiento. Antes de cargar, descargar o agregar ropa, espere a que el tambor se haya detenido por completo.
- Limpie el filtro de pelusa antes de cada carga para evitar la acumulación de pelusa dentro de la secadora o dentro de la habitación.
NO HAGA FUNCIONAR LA SECADORA SIN EL FILTRO DE PELUSAS EN SU LUGAR.
- No lave o seque artículos que se hayan limpiado, lavado, sumergido o manchado con sustancias combustibles o explosivas (tales como cera, aceite, pintura, gasolina, desgrasantes, solventes para limpieza en seco, querosén, etc.). Estas sustancias emiten vapores que pueden encenderse o explotar. No agregue estas sustancias al agua del lavado. No utilice o coloque estas sustancias alrededor de su lavadora o secadora durante el funcionamiento.
- No coloque elementos expuestos a aceites comestibles dentro de su secadora. Los elementos contaminados con aceites para cocinar pueden generar una reacción química que podría provocar que una carga de ropa se prenda fuego.
- Cualquier artículo que se haya utilizado con solventes de limpieza o que contenga materiales inflamables (tales como trapos de limpieza, trapeadores, toallas utilizadas en salones de belleza, restaurantes o peluquerías, etc.) no deben colocarse dentro o cerca de la secadora hasta que los solventes o materiales inflamables se hayan eliminado. Existen muchos productos altamente inflamables en los hogares, tales como acetona, alcohol desnaturalizado, gasolina, querosén, algunos limpiadores domésticos, algunos removedores de manchas, aguarrás, ceras, removedores de cera y productos que contienen destilados de petróleo.
- El proceso de lavado puede reducir la resistencia al fuego de las telas. Para evitarlo, siga detenidamente las instrucciones de cuidado del fabricante de la prenda.
- No seque artículos que contengan goma, plástico o materiales similares, tales como sostenes con relleno, zapatillas, galochas, alfombrillas de baño, alfombras, baberos, pantalones para bebés, bolsas plásticas, almohadas, etc. que podrían derretirse o quemarse. Cuando se calientan, algunos materiales de goma pueden, en algunas circunstancias, producir un incendio por combustión espontánea.
- No almacene plástico, papel o prendas que puedan quemarse o derretirse sobre la secadora durante el funcionamiento.
- Las prendas con etiquetas como *Secar alejado del calor* o *No secar en secadora* (como los chalecos salvavidas que contienen Kapok) no debe colocarse en su secadora.
- No seque artículos de fibra de vidrio en la secadora. Puede producirse irritación en la piel debido a las partículas que se pegan a la ropa durante usos posteriores.
- Para minimizar la posibilidad de una descarga eléctrica, desenchufe este artefacto del suministro de energía o desconecte la secadora desde el panel de distribución doméstico quitando los fusibles o apagado el disyuntor antes de realizar mantenimiento o limpiar (excepto la remoción y limpieza del filtro de pelusas).
NOTA: Presionar **START/PAUSE** (inicio/pausa) o **POWER** (encendido) **NO** desconecta el artefacto del suministro de energía.
- Si ve agua sobre el piso alrededor de la secadora, llame al servicio técnico.

INFORMACIÓN IMPORTANTE DE SEGURIDAD. LEA TODAS LAS INSTRUCCIONES ANTES DE USAR.

⚠ ¡ADVERTENCIA!



CUANDO USE SU SECADORA (cont.)

- Nunca trate de utilizar este artefacto si está dañado, parcialmente desarmado, funciona mal, o tiene piezas rotas o faltantes, incluyendo un cable o enchufe dañados.
- Un técnico calificado debe limpiar la parte interna de la máquina y la conexión del conducto de salida dentro de la secadora por lo menos una vez al año. Ver la sección *Consejos de clasificación y carga* de la página 112.
- Si su secadora es a gas, ésta se encuentra equipada con un encendido automático eléctrico y no tiene una luz piloto. **NO TRATE DE ENCENDERLA CON UN FÓSFORO.** Puede sufrir quemaduras por tener su mano muy cerca del quemador cuando se acciona el encendido automático.
- No abra la puerta de la secadora durante ciclos de vapor. El vapor está muy caliente y seguirá saliendo de la boca durante varios segundos después de la apertura. No toque la boca de vapor después del ciclo de vapor.
- No utilice el ciclo de vapor con elementos tales como lana, cuero, seda, lencería, productos de espuma o colchas eléctricas.
- No utilice ciclos de vapor en prendas nuevas sin lavarlas primero.
- Quizás desee suavizar las telas o reducir la electricidad estática de ellas utilizando un suavizante de telas aplicado en la secadora o un acondicionador anti-estática. Recomendamos que use un suavizante de telas en el ciclo de lavado, de acuerdo con las instrucciones del fabricante de dichos productos, o que pruebe un producto para uso en secadoras del cual el fabricante ofrezca una garantía escrita en el paquete de que su producto puede usarse en forma segura en la secadora. Los arreglos o problemas de funcionamiento provocados por el uso de tales productos son responsabilidad de los fabricantes de dichos productos y no se encuentran cubiertos por la garantía de este artefacto.
- Nunca trate de utilizar los ciclos de estirar por vapor o renovación por vapor sin prendas en el tambor. Además, se recomienda enfáticamente seleccionar el tamaño de carga apropiado para mejores resultados. Seleccionar ciclos de cargas grandes para cargas pequeñas puede mojar las ropas y seleccionar ciclos de cargas pequeñas para cargas grandes puede generar un desempeño pobre de estiramiento.



CUANDO NO USA SU SECADORA

- Tome el enchufe con firmeza cuando desconecte este artefacto para no dañar el cable mientras tira del mismo. Coloque el cable alejado de áreas de tránsito para que nadie lo pise, lo dañe o se tropiece con él.
- No trate de reparar o cambiar ninguna pieza de este artefacto ni trate de efectuar arreglos a menos que se recomiende en este Manual de usuario o en instrucciones de reparación publicadas que usted comprenda y cuente con las habilidades para efectuarlas.
- Antes de deshacerse de la secadora, o quitarla del servicio, quite la puerta para evitar que los niños se escondan en su interior.
- No altere o modifique los controles.



LEA Y SIGA ESTA INFORMACIÓN DE SEGURIDAD
CUIDADOSAMENTE

GUARDE ESTAS INSTRUCCIONES

⚠ ¡ADVERTENCIA! Para reducir el riesgo de incendio, descarga eléctrica o lesiones a personas, lea las **INSTRUCCIONES IMPORTANTES DE SEGURIDAD** antes de utilizar este aparato.

A lo largo de este manual, las características y apariencia pueden ser diferentes a las de su modelo.

Inicio rápido

Si la pantalla está oscura, presione el botón **POWER** (encendido) para “despertar” la pantalla.

1 Presione el botón **POWER**.



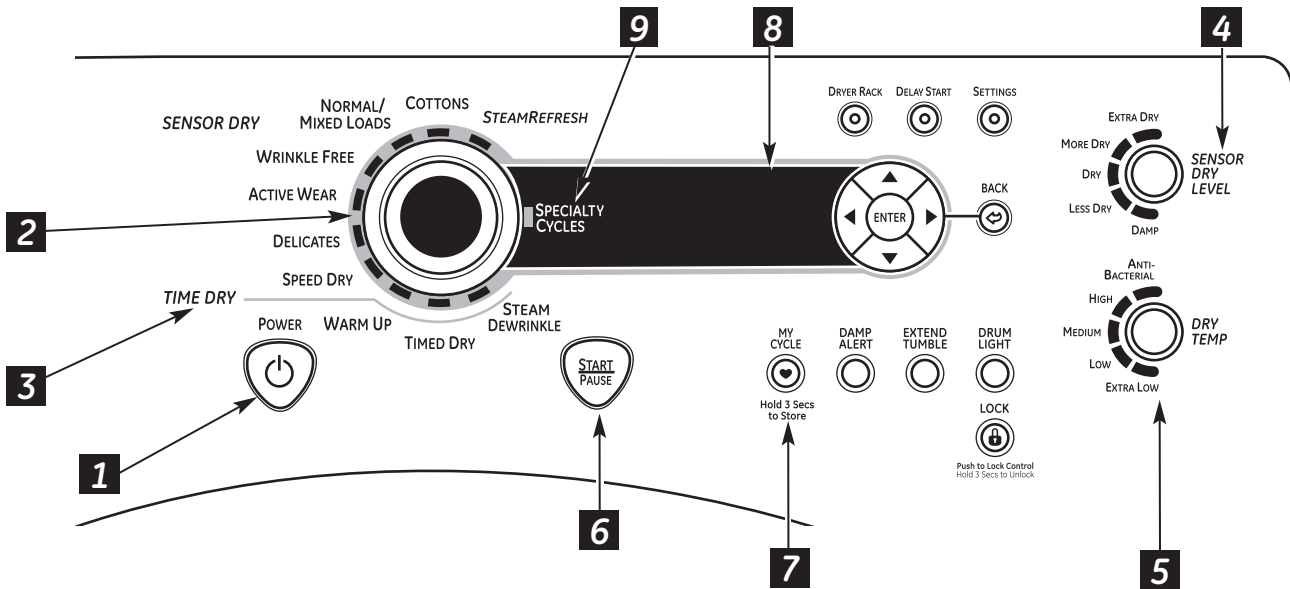
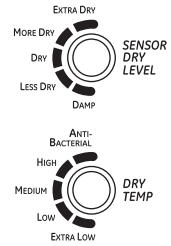
2 Seleccione un ciclo girando la perilla **Cycle** (ciclo).



3 Si seleccionó **SENSOR CYCLE** (ciclo con sensor) sólo presione el botón **START/PAUSE** (inicio/pausa).



Si seleccionó un **TIMED DRY CYCLE** (ciclo de secado temporizado), elija su configuración de calor y el tiempo de secado que prefiere mediante los botones del cursor. Luego presione el botón **START/PAUSE**.



1 Power (encendido) Presione para “despertar” la pantalla. Si la pantalla está activa, presione para apagar la secadora.

NOTA: Presionar **POWER** no desconecta el artefacto del suministro de energía.

Sobre el panel de control de la secadora.

2 Dry Cycles (ciclos de secado)

El ciclo de secado controla el tiempo del ciclo para el proceso de secado. La tabla siguiente lo ayudará a combinar la configuración de secado con las cargas.

Sensor Cycles (ciclos con sensor)

COTTONS (algodones) Para algodones y la mayoría de los linos.

NORMAL/ MIXED LOAD (carga normal/mixta) Para cargas que cuentan con algodones y mezclas de poliéster.

WRINKLE FREE (libre de arrugas) Para prendas libres de arrugas/cuidado sencillo y de planchado permanente.

ACTIVE WEAR (ropa deportiva) Prendas utilizadas para ejercicio físico activo y algunas prendas informales. Las telas incluyen acabados de tecnología nueva y fibras elásticas como el Spandex.

DELICATES (delicados) Para lencería y telas delicadas.

SPEED DRY (secado rápido) Para cargas pequeñas que se necesitan cuando antes, como uniformes deportivos o escolares. También puede usarse si el ciclo anterior dejó húmedas algunas partes, como cuellos o cinturas.

Timed Dry Cycles (ciclos de secado temporizado)

STEAM REFRESH (renovación por vapor) Para prendas secas ligeramente arrugadas. Reduce significativamente las arrugas en 1–5 prendas. Seleccionar una cantidad más elevada de prendas para el ciclo (Ej., seleccionar una carga de 5 prendas para una carga de 1 prenda) puede dejar las ropas muy húmedas. Después del ciclo SteamRefresh (renovación por vapor), la unidad emitirá un pitido y mostrará "Garments Ready" (prendas listas) y "0:00". Si la unidad no se apaga o si la puerta no se abre, la secadora seguirá girando por 30 minutos. Al finalizar los 30 minutos, aparecerá en la pantalla "0:00" y "Cycle Complete" ("0:00" y "ciclo completo"). En el ciclo de renovación por vapor puede hacer falta que se agregue una prenda adicional a una prenda única de tela extremadamente liviana para lograr resultados óptimos.

STEAM DEWRINKLE (estirar por vapor) Para usar con cargas más importantes que las de RENOVACIÓN POR VAPOR. Ideal para cargas que se dejan en la secadora durante períodos prolongados. Seleccionar un ciclo mayor al necesario (Ej., seleccionar una carga grande para una secadora llena por la mitad) puede dejar las ropas excesivamente húmedas.

WARM UP (calentamiento) Brinda 10 minutos de calentamiento de las ropas.

My Cycle (mi ciclo) (en algunos modelos)

MY CYCLE (mi ciclo) Presione para usar, crear o modificar ciclos de secado personales.

3 Timed Dry (secado temporizado)

Utilícelo para configurar su propio tiempo de secado. **TIMED DRY** también se recomienda para pequeñas cargas.

Para usar TIMED DRY:

1. Gire la perilla de ciclo de secado a **TIMED DRY**.
2. Seleccione el tiempo de secado presionando los botones ▲ y ▼. Usted puede incrementar el tiempo en unidades de 10 minutos hasta 2 1/2 horas.
3. Seleccione **DRY TEMP** (temperatura de secado).
4. Cierre la puerta.
5. Presione **START/PAUSE** (inicio/pausa).

4 Sensor Dry Level (nivel de secado con sensor)

El sensor continuamente monitorea la cantidad de humedad de la carga. Cuando la humedad de sus ropas alcanza su nivel de secado seleccionado, la secadora se detendrá.

EXTRA DRY (secado extra) Para telas muy resistentes o prendas que deben estar muy secas, como las toallas.

MORE DRY (más seco) Úselo para telas pesadas o de tipo mixto.

DRY (seco) Úselo para un nivel de secado normal adecuado para la mayoría de las cargas. Este es el ciclo preferido para ahorrar energía.

LESS DRY (menos seco) Úselo para telas más livianas (ideal para planchado).

DAMP (húmedo) Para dejar las prendas parcialmente húmedas.

5 Dry Temp (temperatura de secado)

Usted puede cambiar la temperatura de su ciclo de secado.

ANTI-BACTERIAL Esta opción sólo puede usarse con los ciclos **COTTONS (algodones)** o **MIXED LOAD (carga mixta)**. Esta opción reduce el 99,9% de ciertos tipos de bacterias, por ejemplo: *Staphylococcus aureus*, *Pseudomonas aeruginosa* y *Klebsiella pneumoniae**. El proceso antibacterial ocurre cuando se utiliza calor elevado durante una parte del ciclo de secado.

NOTA: No use este ciclo con telas delicadas.

* El ciclo anti-bacterial esté certificado por NSF International (antes National Sanitation Foundation) de acuerdo con el protocolo NSF *P154 Sanitization Performance of Residential Clothes Dryers* (Desinfección de secadoras residenciales).



NSF Protocol P154
Sanitization Performance of
Residential Clothes Dryers

HIGH Para algodones normales a pesados.

MEDIUM Para sintéticos, mezclas y prendas marcadas como planchado permanente.

LOW Para delicados, sintéticos y prendas marcadas como *Tumble Dry Low* (secado bajo en secadora).

EXTRA LOW Para lencería y telas delicadas.

6 START/PAUSE (inicio/pausa)

Presione para comenzar un ciclo de secado. Si la secadora está funcionando, presiónelo una vez y la secadora se detendrá. Presiónelo de nuevo para volver al ciclo de secado.

7 MY CYCLE (mi ciclo) (en algunos modelos)

Ingrese su combinación favorita de configuraciones y guárdelas aquí para poder acceder a ellas con un toque. Estas configuraciones personales pueden ingresarse mientras un ciclo está en funcionamiento.

Para guardar una combinación de configuraciones MY CYCLE:

1. Seleccione su ciclo de secado.
2. Cambie las configuraciones de **DRY TEMP** y **SENSOR DRY LEVEL** para ajustarse a sus necesidades.
3. Seleccione cualquier opción de secado que desee en **OPTIONS**.
4. Presione y sostenga el botón **MY CYCLE** durante tres segundos para conservar su selección. Sonará un pitido y el botón se encenderá.

Para recordar su combinación conservada MY CYCLE:

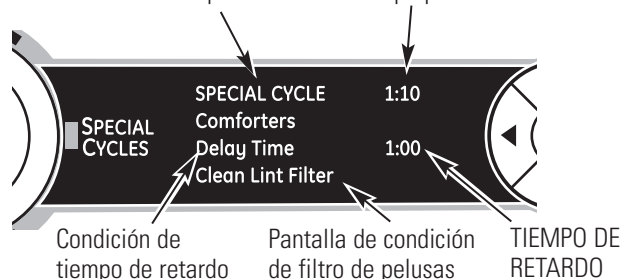
Presione el botón **MY CYCLE** antes de secar una carga. La luz de alrededor del botón se encenderá cuando se selecciona **MY CYCLE**.

Para cambiar su combinación conservada MY CYCLE:

Siga los pasos de 1-4 de "Para guardar una combinación de configuraciones MY CYCLE".

8 Pantalla

Condición de ciclo especial O secado por tendadero O secado temporizado Tiempo de ciclo establecido O tiempo para secar



"CLEAN LINT FILTER" (message) (limpiar filtro de pelusas) (mensaje)

Este mensaje se mantiene durante 15 minutos después de la finalización del ciclo. Este mensaje es sólo un recordatorio.

Sobre el panel de control de la secadora.

9 Specialty Cycles (ciclos especiales)

1. Gire la perilla **CYCLE** (ciclo) a **SPECIAL CYCLES** (ciclos especiales). Aparecerá en la pantalla una lista de opciones de ciclo.
2. Mediante los botones del cursor, seleccione una categoría (**CATEGORY**).
3. Mediante los botones del cursor, seleccione un ciclo (**CYCLE**).
Presione el botón **BACK** (atrás) para volver a las categorías.
4. Presione **ENTER** (ingresar) para seleccionar.
5. Presione el botón **START/PAUSE** (inicio/pausa).

Los ciclos especiales (**SPECIALTY CYCLES**) incluyen:

Prendas

- Abrigos
- Jeans
- Khakis
- Medias/Sostenes (use una bolsa de red)

Cama y baño

- Edredones
- Mantas (Algodón)
- Sábanas
- Toallas

Otras especialidades

- Algodón delicado
- Bolsas de dormir
- Camas de mascotas
- Corderito
- Dryel
- Mantas de viaje
- Prendas de juego
- Secado con aire
- Secado en bandeja
- Secado por tendedero
- Telas para deporte

Ciclos con comunicación con la lavadora

Para activar la comunicación, presione el botón **SETTINGS** (configuraciones) del panel de control de la lavadora. Cuando aparece "DRYER LINK" (conexión con secadora) en la pantalla, presione **ENTER**. Utilizando las flechas, seleccione ON (encendido) y luego presione **ENTER**.

Cuando finaliza el ciclo de la lavadora, ésta se comunicará con la secadora cuando se presione cualquier botón del panel de control o se abra la puerta.

La lavadora mostrará la siguiente leyenda: "TRANSFERRING CYCLE INFORMATION TO THE DRYER" (transfiriendo información del ciclo a la secadora) y la secadora mostrará: "RECEIVING CYCLE INFORMATION TO THE DRYER" (secadora recibiendo información del ciclo).

La secadora se comunicará con la lavadora sólo si la secadora no está operando un ciclo.

Si la lavadora comienza un nuevo ciclo antes de que la secadora puede comunicarse con ella, la información se perderá.

Sobre las opciones de ciclo.

NOTA: No todas las características se encuentran disponibles en todos los modelos de secadora.

ge.com

EXTEND TUMBLE



Extend Tumble (secado prolongado)

Minimiza las arrugas al agregar aproximadamente 60 minutos de secado sin calor después de que las prendas están secas. Una alarma sonará cada 2 minutos para recordarle que debe quitar las ropas. La pantalla **ESTIMATED TIME REMAINING** (tiempo restante estimado) mostrará **00**.

La luz de alrededor del botón se encenderá cuando **EXTEND TUMBLE** esté funcionando.

La rotación extendida se selecciona automáticamente para el ciclo SteamRefresh (renovación por vapor) y no puede cancelarse su selección. La secadora emitirá un pitido y mostrará "Garments Ready" (prendas listas) cuando la renovación por vapor haya finalizado. La secadora continuará con la rotación extendida hasta que se abra la puerta.

DAMP ALERT



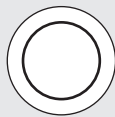
Damp Alert (alerta de humedad)

Esta opción hace que la secadora emita un pitido cuando las prendas se han secado hasta un nivel húmedo. Retire las prendas que quiere colgar. **DAMP ALERT** sólo sonará cuando se selecciona esta opción.

Quitar algunas prendas y colgarlas cuando están húmedas puede reducir la necesidad de plancharlas.

La luz de alrededor del botón se encenderá cuando **DAMP ALERT** esté funcionando.

DRUM LIGHT



Drum Light (luz del tambor)

Presione este botón para encender la luz de la secadora.

Presione el botón de nuevo para apagar la luz.

Esto sólo controla la luz cuando la puerta está cerrada. **NOTA: Cuando se cierre la puerta, la luz se apagará sola después de un minuto.**

Cuando se abre la puerta, la luz se enciende automáticamente.

La luz de alrededor del botón se encenderá cuando **DRUM LIGHT** esté funcionando.

DELAY START



Delay Start (inicio retardado)

Utilícelo para retardar el inicio de su secadora.

1. Elija un ciclo de secado y cualquier otra opción.
2. Presione **DELAY START**. Usted puede cambiar el tiempo de inicio retardado en unidades de 1/2 hora utilizando los botones de flecha ▲ o ▼.
3. Presione **START/PAUSE** (inicio/pausa) para iniciar la cuenta regresiva.

El tiempo restante podrá verse en la pantalla de **ESTIMATED TIME REMAINING** (tiempo restante estimado).

NOTAS:

■ Si la puerta se abre mientras la secadora se encuentra en **DELAY** (retardo), la cuenta regresiva no volverá a iniciarse a menos que la puerta esté cerrada y el botón **START/PAUSE** se haya presionado de nuevo.

■ Se puede retardar el inicio de un ciclo de secado hasta 24 horas.

La luz de alrededor del botón se encenderá cuando **DELAY START** esté funcionando.

LOCK



Lock (bloqueo)

Se pueden bloquear los controles para evitar que se hagan otras selecciones. O se pueden bloquear los controles después de iniciado un ciclo.

Cuando se selecciona esta opción, los niños no pueden encender la secadora accidentalmente presionando los botones.

Para bloquear la secadora, presione el botón **LOCK**. Para desbloquear la secadora, presione y sostenga el botón **LOCK** durante 3 segundos.

La luz de alrededor del botón **LOCK** se encenderá cuando los controles estén bloqueados.

Aunque los controles estén bloqueados, el botón **POWER** (encendido) se encuentra activo en caso de que necesite apagar la unidad.

Presione para bloquear el control. Sostenga durante 3 segundos para desbloquear.

Instrucciones de seguridad

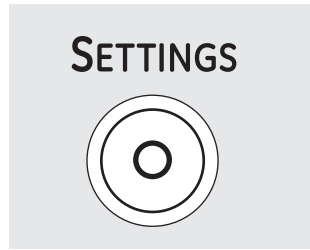
Instrucciones de funcionamiento

Consejos para la solución de problemas

Soporte al consumidor

Sobre las opciones de ciclo.

NOTA: No todas las características se encuentran disponibles en todos los modelos de secadora.



Settings (configuraciones)

Bajo la opción **SETTINGS**, usted puede ajustar el volumen o el brillo de la pantalla.

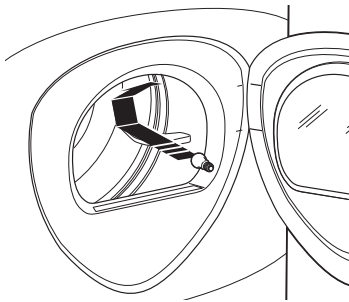
VOLUMEN

- El volumen del final de ciclo (señal) puede configurarse en **HIGH** (alto), **MED** (mediano), **LOW** (bajo) o **OFF** (apagado).
- El volumen de sonidos del control puede configurarse en **HIGH**, **MED**, **LOW** o **OFF**.

DISPLAY BRIGHTNESS (brillo de la pantalla) puede configurarse como **HIGH**, **MED** o **LOW**.

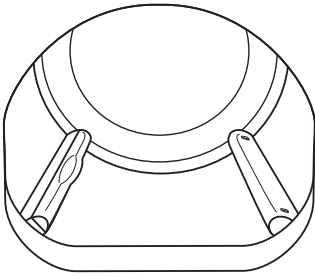
Después de realizar su selección, presione **ENTER** (ingresar).

Sobre las características de la secadora.



Lámpara del tambor

Antes de colocar la bombilla de luz, asegúrese de desenchufar el cable de energía de la secadora o desconectar la secadora del panel de distribución hogareño quitando los fusibles o apagando el disyuntor. Busque por encima de la abertura de la secadora dentro del tambor. Quite la bombilla y cámbiela por una del mismo tamaño.



Built-In Rack Dry System (sistema de tendedero incorporado)

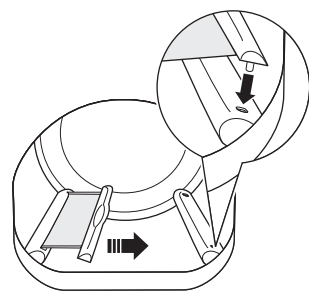
Un útil tendedero puede usarse para secar elementos tales como zapatillas. Coloque las prendas en forma horizontal sobre el tendedero y bloquee prendas como suéters de lana y telas delicadas. Seque con calor bajo.

Para instalar el Built-In Rack Dry System

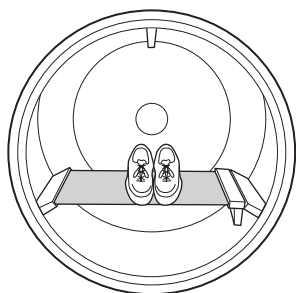
1. Constate que el tambor de la secadora esté orientado de modo que el sistema de secado de tendedero se encuentre sobre el lado izquierdo de la secadora.
2. Saque la pantalla del tendedero del lado izquierdo y trabe las "varillas" de la manija en las ranuras opuestas del deflector.
3. Coloque la prenda sobre el tendedero y cierre la puerta.
4. Presione el botón **DRYER RACK** (secado por tendedero).
5. Seleccione el tiempo deseado con el botón **TIME**.
6. Presione el botón **START/PAUSE** (inicio/pausa).

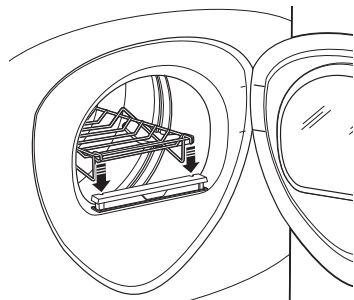
NOTA:

- No use este tendedero cuando haya otras prendas en la secadora.
- Asegúrese de desconectar el tendedero al finalizar el ciclo y retraiga por completo la pantalla dentro del deflector.



Enganche las varillas





Secado por tendedero (accesorio opcional)

Un útil tendedero puede usarse para secar prendas delicadas tales como suéters lavables. Coloque las prendas en forma horizontal sobre el tendedero y bloquee prendas como suéters de lana y telas delicadas. Seque con calor bajo.

Para instalar el tendedero, levante ligeramente el filtro de pelusas. Introduzca el tendedero dentro de las ranuras, luego presione el filtro hacia abajo.

NOTA:

- El tendedero debe usarse con los ciclos **TIMED DRY** (secado temporizado) o **RACK DRY** (secado por tendedero) (en algunos modelos).
- No use este tendedero cuando haya otras prendas en la secadora.



Cómo usar el gancho incorporado para colgar prendas

1. Constate que el tambor de la secadora esté orientado de modo que el gancho se encuentre sobre el centro de la secadora.
2. Utilizando un dedo, quite el gancho del deflector.
3. Cuelgue la prenda de una percha, cuelgue la percha de un gancho y cierre la puerta.
4. Presione el botón **DRYER RACK** (secado por tendedero).
5. Seleccione el tiempo deseado.
6. Presione el botón **START/PAUSE** (inicio/pausa).

Reverse Tumble™ (Secado reverso)

Todas las secadoras Profile de carga frontal se encuentran equipadas con la característica de Reverse Tumble™, como parte del sistema Duo Dry Plus™. Al invertir la dirección de rotación del tambor durante el ciclo de secado, la secadora enredará menos la carga de ropa, secará de forma más pareja y reducirá los tiempos de secado. Las cargas típicas tales como ropa de cama y de baño, en las que las sábanas, toallas y fundas de almohadas se lavan juntas, sacan provecho de esta característica. Cuando la secadora invierte la dirección, habrá una pequeña pausa y un cambio de sonido. Esto es normal. Todos los ciclos de la secadora utilizan esta característica, excepto cuando se selecciona la opción de tendedero, en cuyo caso el tambor no gira.

Cómo usar la secadora.

Siempre siga las instrucciones de la etiqueta del fabricante de la prenda cuando realice los lavados.

Consejos de clasificación y carga

Como regla general, si las prendas están bien clasificadas para la lavadora, estarán bien clasificadas para la secadora. También trate de clasificar las prendas de acuerdo al tamaño. Por ejemplo, no seque una sábana con medias u otros elementos pequeños.

No agregue suavizante de telas una vez que la carga se ha calentado. Esto puede provocar manchas de suavizante. El acondicionador de telas Bounce® en hojas para secadoras ha sido aprobado

para su uso en esta secadora cuando se utiliza de acuerdo con las instrucciones del fabricante.

Ver abajo para las instrucciones de limpieza del filtro de pelusas.

No la sobrecargue. Eso malgasta energía y provoca arrugas.













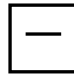
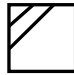
No seque los siguientes elementos:

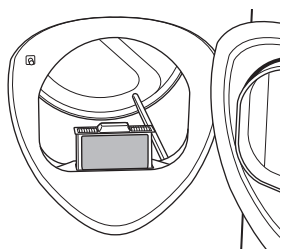
Productos de fibra de vidrio, prendas de lana, productos revestidos en caucho, plásticos, productos con ribetes plásticos y rellenos con espuma.

Etiquetas sobre cuidado de las telas

A continuación incluimos los "símbolos" de las etiquetas sobre cuidado de las telas que podrían afectar a las ropas que está lavando.

Etiquetas de secado

Secado en secadora						
	Secado	Normal	Planchado permanente/ resistente a las arrugas	Suave/ delicado	No secar en secadora	No secar (utilizado con no lavar)
Configuración de calor						
	Alto	Medio	Bajo	Sin calor/aire		
Instrucciones especiales						
	Colgar para secar	Secado por goteo	Secar extendido	À la sombra		



Cuidado y limpieza de la secadora

Interior y conducto de la secadora: Un técnico calificado debe limpiar la parte interna del artefacto y el conducto de salida una vez por año.

Parte externa: Limpie los derrames o compuestos de limpieza con un paño húmedo. El panel de control y los acabados de la secadora pueden resultar dañados por productos removedores de manchas y suciedad utilizados como tratamiento previo al lavado. Aplique estos productos lejos de la secadora. La tela luego puede lavarse y secarse de manera normal. Los daños provocados a su secadora por estos productos no están cubiertos por la garantía.

No toque la superficie o la pantalla con objetos afilados.

El filtro de pelusas: Limpie el filtro de pelusas antes de cada uso. Quítelo tirando hacia arriba. Pase los dedos por el filtro. Puede formarse una acumulación cerosa en el filtro de pelusas por utilizar suavizantes de telas para secadora en hojas. Para quitar esta acumulación, lave el filtro

de pelusas en agua tibia jabonosa. Seque bien y vuelva a colocar. No opere la secadora sin el filtro de pelusas en su lugar.

Pase la aspiradora al filtro de pelusas si nota un cambio en el desempeño de la secadora.

Acero inoxidable: Para limpiar superficies de acero inoxidable, utilice un paño húmedo con un limpiador suave y no abrasivo para superficies de acero inoxidable. Quite los restos de limpiador y luego seque con un paño limpio. El acero inoxidable utilizado para fabricar el tambor de la secadora ofrece la mayor confiabilidad de una secadora GE. Si el tambor de la secadora se raya o abolla durante un uso normal, éste no se oxidará o corroerá. Estas imperfecciones de la superficie no afectan la función o durabilidad del tambor.

La campana de salida: Verifique con un espejo que las solapas internas de la campana se muevan libremente durante el funcionamiento. Verifique que no haya vida silvestre (pájaros, insectos, etc.) dentro del conducto o la campana.

Instrucciones de instalación

Secadora

DPVH890 y UPVH890

Si tiene alguna pregunta, llame a 800.GE.CARES (800.432.2737) o visite nuestro sitio Web en: ge.com
En Canadá, llame a 1.800.561.3344 o visite GEAppliances.ca

ANTES DE COMENZAR

Lea detenidamente todas las instrucciones.

- **IMPORTANTE** – Guarde estas instrucciones para uso del inspector local.
- **IMPORTANTE** – Cumpla todos los códigos y ordenanzas regulatorias.
- Instale la secadora de acuerdo con las instrucciones del fabricante y los códigos locales.
- **Nota al instalador** – Asegúrese de dejar estas instrucciones al usuario.
- **Nota al usuario** – Guarde estas instrucciones para consultas futuras.
- La instalación de la secadora debe efectuarla un instalador calificado.
- Esta secadora **debe** tener una salida al exterior.
- Antes de que la secadora antigua sea retirada del servicio o eliminada, quítele la puerta.
- La información sobre reparaciones y el diagrama del cableado se encuentran en la consola de control.
- No permita que niños se suban o se metan dentro del artefacto. Se requiere una supervisión estricta cuando el artefacto es utilizado cerca de niños.
- La instalación adecuada es responsabilidad del instalador.
- La garantía no cubre fallas producidas por la instalación inadecuada del producto.
- Para reducir el riesgo de una lesión grave o de muerte, cumpla con todas las instrucciones de instalación.

PARA SU SEGURIDAD:

▲ ADVERTENCIA:

Riesgo de incendio

- Utilice sólo conductos de metal rígidos o flexibles de 4 pulgadas de diámetro para la salida al exterior. Nunca use conductos de plástico u otros conductos combustibles fáciles de perforar.
- No instale una secadora con materiales de ventilación de plástico flexible. Si se instalan conductos de metal flexibles (del tipo de papel metálico), éstos deben ser de una clase específica identificada por el fabricante del artefacto como adecuada para el uso en secadoras. Los materiales de ventilación flexibles a menudo se desploman, se aplastan y atrapan pelusas. Estas condiciones obstruyen la corriente de aire de la secadora e incrementan el riesgo de incendio.
- Este artefacto debe contar con una adecuada conexión a tierra e instalarse según se describe en estas instrucciones.
- No instale o almacene el artefacto en un lugar donde se vea expuesto a agua y/o a las inclemencias del tiempo.
- El Código Nacional de Gas Combustible restringe las instalaciones de artefactos de gas en garajes. Deben estar a 18 pulgadas del piso y protegidos de los vehículos mediante una barrera.
- Instale la secadora en lugares donde la temperatura sea mayor a 50°F para un funcionamiento satisfactorio del sistema de control de la secadora.

SÓLO PARA MODELOS A GAS:

NOTA: La instalación y servicio técnico de esta secadora deben realizarlos un instalador calificado, una agencia de servicios o el proveedor de gas.

En la Mancomunidad de Massachusetts:

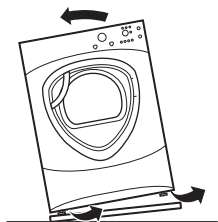
- Este producto debe instalarlo un plomero matriculado o un instalador de gas.
- Cuando use válvulas esféricas de apagado de gas, deberán ser del tipo de manija en T.
- Si se usa una conexión flexible para gas, ésta no debe superar los 3 pies.

Instrucciones de instalación

CÓMO DESEMPACAR LA SECADORA

Incline la secadora de costado y saque los paños de espuma de embalaje tirando de los costados y quitándolos de las patas de la secadora. Asegúrese de quitar todas las piezas de espuma de las patas.

Saque la bolsa que contiene la información y cable serial.



UBICACIÓN DE SU SECADORA

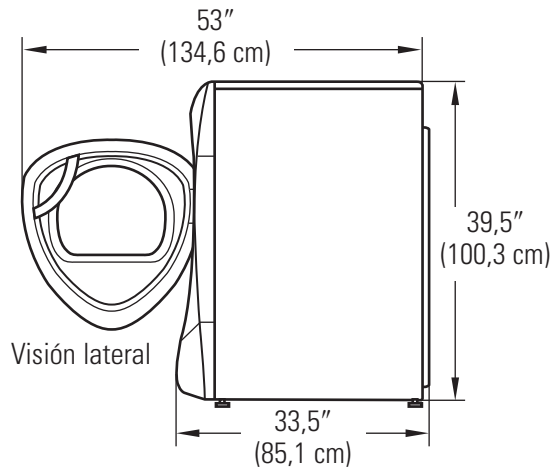
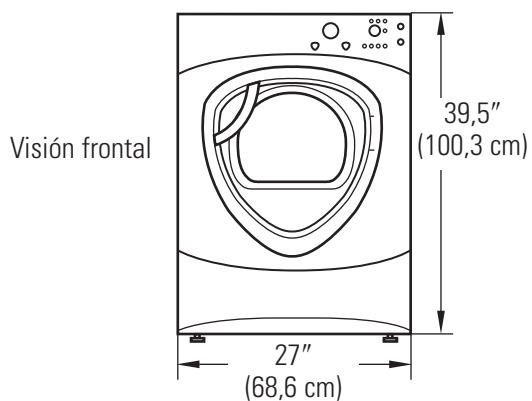
ESPACIO LIBRE MÍNIMO EN OTROS ESPACIOS QUE NO SEAN INSTALACIONES EN NICHOS O ARMARIOS

Los espacios libres mínimos respecto de superficies combustibles y de aberturas de aire son:

- Un espacio libre de 0 pulgadas sobre ambos lados
- 1 pulgada hacia el frente
- 3 pulgadas hacia atrás

Debe tenerse en cuenta un espacio libre adecuado para un funcionamiento y reparación correctos.

DIMENSIONES DE LA SECADORA



Instrucciones de instalación

REQUERIMIENTOS PARA INSTALACIÓN EN NICHOS O ARMARIOS

- Su secadora puede instalarse en un nicho o armario, como se indica en la etiqueta de la parte trasera del aparato.
- Esta secadora DEBE tener una ventilación al exterior. Ver la sección SALIDA AL EXTERIOR DE LA SECADORA.
- El espacio libre mínimo entre el armario de la secadora y las paredes adyacentes u otras superficies es:
 - 0" sobre ambos lados
 - 3" sobre el frente y la parte trasera
- El espacio vertical mínimo desde el piso a los estantes superiores, gabinetes, cielorrasos, etc., es de 52".
- Las puertas del armario deben contar con rejillas u otro tipo de ventilación y tener por lo menos 60 pulgadas cuadradas de espacio abierto igualmente distribuido. Si el armario incluye una lavadora y una secadora, las puertas deben contener un mínimo de 120 pulgadas cuadradas de espacio abierto distribuido uniformemente.
- El armario debe tener ventilación hacia el exterior para evitar la acumulación de gas en caso de que haya gas en la línea de suministro.
- No deberán instalarse otros artefactos a combustible en el mismo armario con la secadora (sólo modelos a gas).

NOTA: CUANDO EL CONDUCTO DE SALIDA ESTÁ UBICADO EN LA PARTE TRASERA DE LA SECADORA, EL ESPACIO LIBRE MÍNIMO DESDE LA PARED DEBE SER 5.5 PULGADAS.

INSTALACIÓN EN BAÑOS O DORMITORIOS

- Esta secadora DEBE tener una ventilación al exterior. Ver SALIDA AL EXTERIOR DE LA SECADORA.
- La instalación debe cumplir con los códigos locales o, si no los hubiera, con el CÓDIGO NACIONAL ELÉCTRICO, ANSI/NFPA NC. 70 (para secadoras eléctricas) o el CÓDIGO NACIONAL DE GAS, ANSI Z223 (para secadoras a gas).

INSTALACIÓN EN CASAS MÓVILES O PREFABRICADAS

- La instalación debe cumplir con la NORMA SOBRE CONSTRUCCIÓN Y SEGURIDAD DE CASAS PREFABRICADAS, TÍTULO 24, PARTE 32-80 o, cuando dicha norma no sea aplicable, con la NORMA NACIONAL ESTADOUNIDENSE PARA CASAS MÓVILES, N° 501B.
- La secadora DEBE tener ventilación al exterior con la terminación bien sujeta a la estructura de la casa móvil. (Ver SALIDA AL EXTERIOR DE LA SECADORA).
- La ventilación NO DEBE terminar debajo de una casa móvil o prefabricada.
- El material del conducto de ventilación DEBE SER METAL.
- SÓLO PARA MODELOS A GAS: DEBE utilizarse el KIT 14-D346-33 para conectar bien la secadora a la estructura.
- SÓLO PARA MODELOS A GAS: La ventilación NO DEBE conectarse a ningún otro conducto, ventilación o chimenea.
- No utilice tornillos para placas de metal u otros dispositivos de sujeción que se extiendan al interior de la ventilación de salida.
- Debe contar con una abertura con un espacio libre de por lo menos 25 pulgadas cuadradas para el ingreso de aire exterior dentro del cuarto de la secadora.

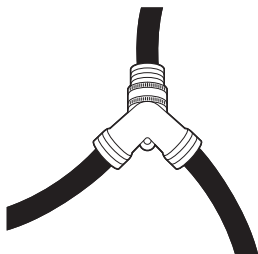
CÓMO CONECTAR MANGUERAS DE ENTRADA

CÓMO CONECTAR MANGUERAS DE ENTRADA

Para producir vapor, la secadora debe conectarse al suministro de agua fría. Ya que la lavadora también debe conectarse al agua fría, debe introducirse un conector en "Y" para permitir que ambas mangueras de entrada puedan utilizarse al mismo tiempo.

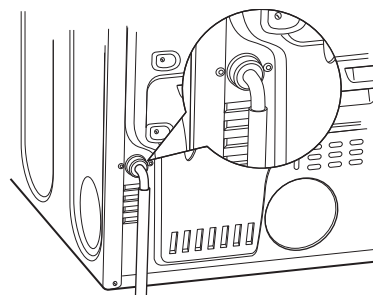
NOTA: Utilice las nuevas mangueras de entrada provistas; nunca utilice mangueras viejas.

1. Cierre el grifo de agua fría. Quite la manguera de entrada de la lavadora del conector de la válvula de llenado (fría).
2. Asegúrese de que la arandela plana de goma se encuentre en su lugar y ajuste la unión hembra de la manguera corta en el conector de la válvula de llenado de la lavadora. Ajuste a mano hasta que estén firmemente asentada.
3. Sujete el extremo hembra del conector en "Y" a la unión macho de la manguera corta. Asegúrese de que la arandela plana de goma se encuentre en su lugar. Ajuste a mano hasta que esté firmemente asentada.



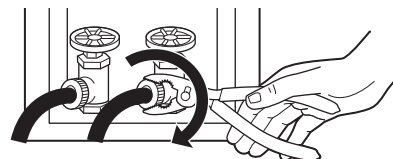
4. Introduzca el filtro en la unión de la manguera de entrada de la **lavadora**. Si la arandela plana de goma ya se encuentra en su lugar, quítela antes de instalar el filtro. Sujete esta unión a un extremo macho del conector en "Y". Ajuste a mano hasta que esté firmemente asentada.
5. Asegúrese de que la arandela plana de goma se encuentre en su lugar y sujete la manguera larga de entrada de la **secadora** al otro extremo macho del conector en "Y". Ajuste a mano hasta que esté firmemente asentada.
6. Asegúrese de que la arandela plana de goma se encuentre en su lugar y sujete el otro extremo de la manguera larga de entrada al conector de la válvula de llenado en la parte inferior del panel trasero de la **secadora**. Ajuste a mano hasta que esté firmemente asentada.

CÓMO CONECTAR MANGUERAS DE ENTRADA (cont.)



7. Utilizando alicates, ajuste todas las uniones con un giro adicional de dos tercios.

NOTA: No ajuste de más. Pueden dañarse las uniones.



8. Abra el grifo de agua.
9. Controle la presencia de pérdidas alrededor del conector en "Y", el grifo y las uniones de las mangueras.

REQUISITOS DE SUMINISTRO DE AGUA



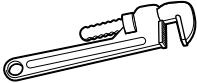


Los grifos de agua caliente y fría **DEBEN** instalarse dentro de las 42 pulg. (107 cm) de la entrada de agua de la lavadora. Los grifos **DEBEN** ser del tipo de manguera de jardín de 3/4 pulg. (1.9 cm) para que las mangueras de entrada puedan conectarse. La presión de agua **DEBE** hallarse entre 10 y 120 libras por pulgada cuadrada. La compañía de agua puede informarle sobre la presión de agua.

NOTA: Se recomienda el uso de un suavizante de agua para reducir la acumulación de sarro dentro del generador de vapor si el suministro doméstico contiene agua muy dura.


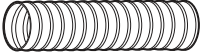
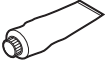

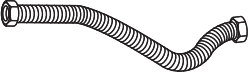




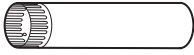
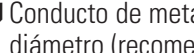
Instrucciones de instalación

CÓMO CONECTAR UNA SECADORA A GAS (si se cuenta con una secadora eléctrica, saltar este paso)

HERRAMIENTAS NECESARIAS

-  Llaves ajustables de 10" (2)
-  Destornillador de lados planos
-  Llave para tubos de 8"
-  Nivel
-  Pinzas

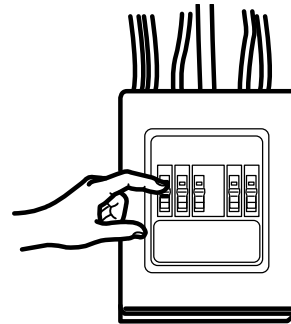
MATERIALES NECESARIOS

-  Codo de metal de 4" diámetro
-  Conducto de metal flexible de 4" diámetro (si fuese necesario)
-  Compuesto para tuberías
-  Guantes
-  Conector de tubería de gas flexible
-  Solución jabonosa para detección de pérdidas
-  Abrazaderas de tubería (2) o abrazaderas de resorte (2)
-  Gafas de seguridad
-  Campana de salida
-  Cinta aislante
-  Conducto de metal de 4" diámetro (recomendado)

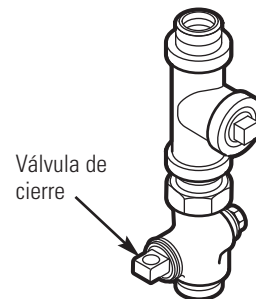
PARA SU SEGURIDAD:

⚠ ADVERTENCIA:

Antes de comenzar la instalación, apague el disyuntor o quite los fusibles de la secadora de la caja eléctrica. Verifique que el cable de la secadora esté desenchufado del tomacorriente.



Gire a la posición OFF (apagado) la válvula de gas de la secadora de la línea de suministro.



Desconecte y elimine el conector flexible de gas y el material del conducto.



CÓMO CONECTAR UNA SECADORA A GAS (cont.)

REQUERIMIENTOS DE GAS

⚠ ADVERTENCIA:

- La instalación debe cumplir con códigos o ordenanzas locales, o si no las hubiera, con el CÓDIGO NACIONAL DE GAS, ANSI Z223.
- Esta secadora a gas está equipada con un montaje de válvula y quemador para utilizar sólo con gas natural. Mediante el kit de conversión 14-A048, la organización de atención local puede convertir esta secadora para su uso con gas propano (LP). TODAS LAS CONVERSIONES DEBEN LLEVARLAS A CABO PERSONAL CAPACITADO Y CALIFICADO EN CUMPLIMIENTO CON CÓDIGOS LOCALES Y REQUERIMIENTOS DE ORDENANZAS.
- La secadora debe desconectarse del sistema de tubería de suministro de gas durante cualquier prueba de presión del sistema con una presión de prueba mayor a 0.5 PSI (3.4 KPa).
- La secadora debe aislarse del sistema de tubería de suministro de gas cerrando la válvula de cierre del equipo durante cualquier puesta a prueba del sistema en presiones de prueba iguales o menores a 0.5 PSI (3.4KPa).

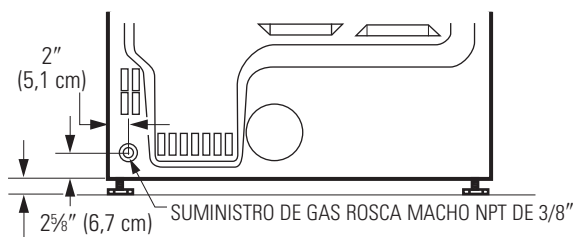
SUMINISTRO DE GAS

- Debe instalarse una toma a rosca de 1/8" NPT, accesible para una conexión del manómetro de prueba, inmediatamente en sentido ascendente de la conexión de suministro de gas hacia la secadora. Si tiene dudas sobre la instalación de la toma, comuníquese con su empresa proveedora de gas local.
- La línea de suministro debe ser de tubería rígida de 1/2" y debe contar con un cierre accesible dentro de los 6 pies de la secadora, dentro de la misma habitación donde se encuentra la misma.
- Utilice compuesto para rosca de tubería apropiado para gas natural o LP o utilice cinta de Teflon®.
- Una el conector de metal flexible a la secadora y al suministro de gas.

EN LA MANCOMUNIDAD DE MASSACHUSETTS

- Este producto debe instalarlo un plomero matriculado o un instalador de gas.
- Cuando use válvulas esféricas de apagado de gas, deberán ser del tipo de manija en T.
- Si se usa una conexión flexible para gas, ésta no debe superar los 3 pies.

CONEXIÓN DE SUMINISTRO DE GAS DE LA SECADORA



NOTA: Agregue a la dimensión vertical la distancia entre la parte inferior del gabinete y el piso.

Instrucciones de instalación

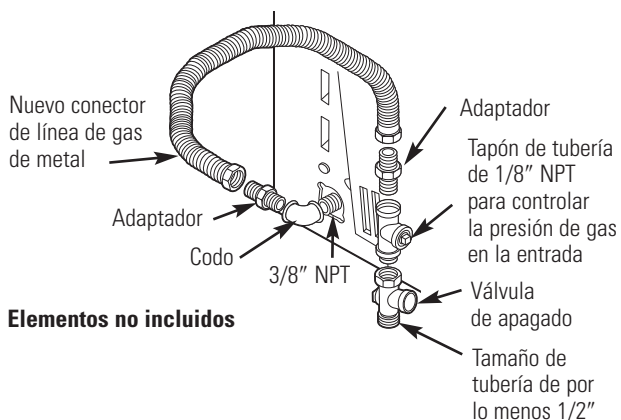
CÓMO CONECTAR LA SECADORA AL SUMINISTRO DE GAS

- A** Instale un codo hembra NPT de 3/8" al final de la entrada de gas de la secadora.

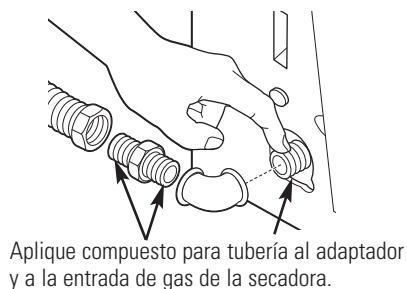
Instale un adaptador de unión cónica de 3/8" al codo hembra.

IMPORTANTE: Utilice una llave para tubos para sostener bien el extremo de la entrada de gas de la secadora para no doblar la entrada.

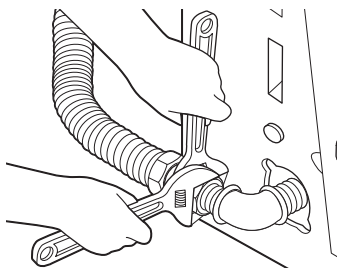
NOTA: Aplique compuesto para tubería o cinta Teflon® a las roscas del adaptador y la entrada de gas de la secadora.



- B** Una el conector de tubería de gas de metal flexible al adaptador.



- C** Ajuste la conexión de tubería flexible de gas, utilizando dos llaves ajustables.

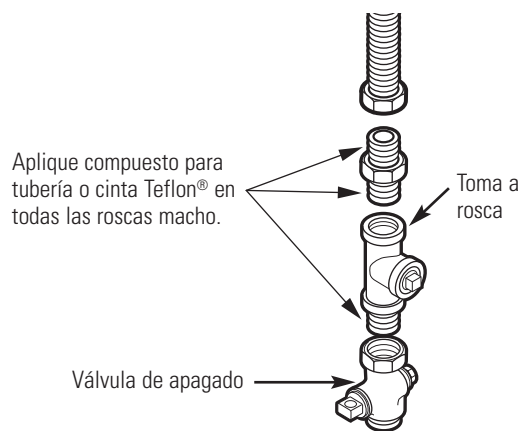


CÓMO CONECTAR LA SECADORA AL SUMINISTRO DE GAS (cont.)

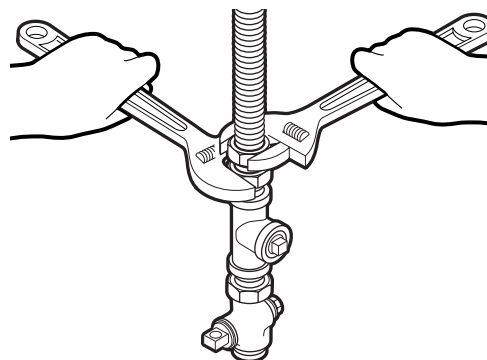
- D** Instale una toma a rosca de 1/8" NPT en la válvula de apagado de la tubería de gas de la secadora para controlar la presión de gas en la entrada.

Instale un adaptador de unión cónica en la toma a rosca.

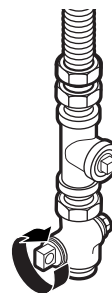
NOTA: Aplique compuesto para tubería o cinta Teflon® a las roscas del adaptador y a la toma.



- E** Ajuste todas las conexiones mediante dos llaves ajustables. **No ajuste de más.**



- F** Cierre la válvula de apagado del gas.



Instrucciones de instalación

CÓMO CONECTAR UNA SECADORA ELECTRICA (si se cuenta con una secadora a gas, saltar este paso)

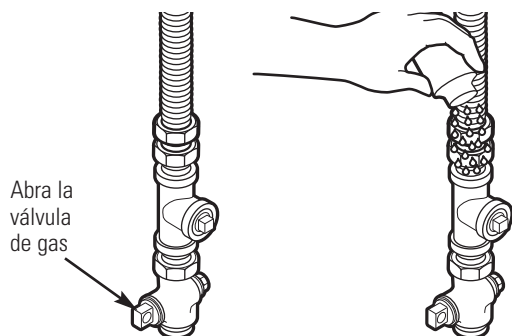
PRUEBA DE PÉRDIDAS

⚠ ADVERTENCIA: Nunca utilice una llama abierta para detectar pérdidas de gas.

Controle todas las conexiones con una solución jabonosa o un elemento equivalente.

Aplique una solución jabonosa. La solución para controlar pérdidas no debe contener amoníaco, ya que este producto puede dañar los accesorios de bronce.

Si se detectan pérdidas, cierre la válvula, vuelva a ajustar la junta y repita la prueba de la solución jabonosa. and repeat the soap test.



CONEXIÓN ELÉCTRICA INFORMACIÓN SOBRE LAS SECADORAS A GAS

⚠ ADVERTENCIA: Para reducir el riesgo de incendio, descarga eléctrica y lesiones personales:

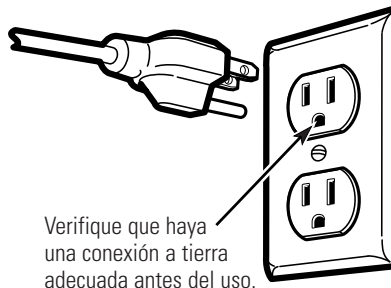
- No utilice un cable de extensión o un enchufe adaptador con este artefacto.
- La secadora debe contar con una conexión eléctrica a tierra en cumplimiento con los códigos y ordenanzas locales, o si éstos no existieran, de acuerdo con el CÓDIGO ELÉCTRICO NACIONAL, ANSI/NFPA N°. 70.

REQUERIMIENTOS ELÉCTRICOS PARA SECADORAS A GAS

Este artefacto debe contar con un suministro de 120V, 60Hz, debe estar conectado a un circuito derivado individual con una adecuada conexión a tierra y deben contar con la protección de un disyuntor o fusible de tiempo retardado de 15 o 20 amperios.

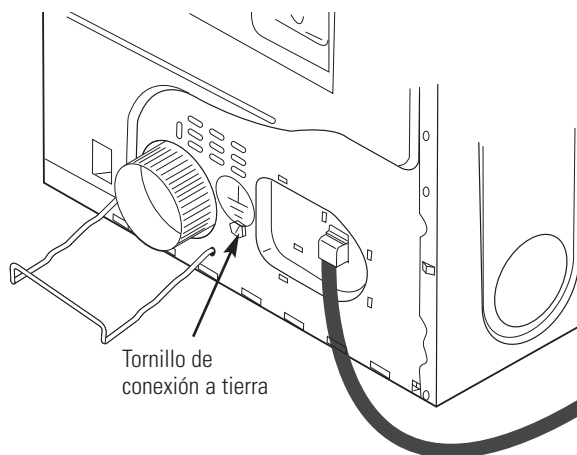
Si el suministro eléctrico provisto no cumple con las especificaciones anteriores, se recomienda que un electricista matriculado instales un tomacorriente aprobado.

⚠ ADVERTENCIA: Esta secadora se encuentra equipada con un enchufe de tres patas (a tierra) como protección contra las descargas eléctricas y debe enchufarse directamente en un tomacorriente de tres patas con adecuada conexión a tierra. No corte o quite la terminal de conexión a tierra del enchufe.



Si los códigos locales lo permiten, puede agregarse un cable a tierra externo (no provisto), que cumpla con los códigos locales, conectándolo al tornillo verde a tierra de la parte trasera de la secadora y a una conexión a tierra alternativa.

Verifique que haya una conexión a tierra adecuada antes del uso.



Instrucciones de instalación

HERRAMIENTAS NECESARIAS



Pinzas



Destornillador Phillips



Destornillador de lados planos



Nivel

MATERIALES NECESARIOS



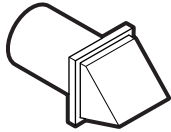
Codo de metal de 4" de diámetro



Guantes



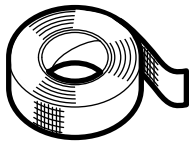
Alivio de tensión de 3/4" (reconocido por UL)



Campana de salida



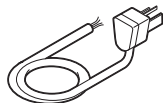
Abrazaderas de tubería de 4" (2) o abrazaderas de resorte de 4" (2)



Cinta aislante



Gafas de seguridad



Kit de cable de energía de la secadora (no incluido con la secadora)



Conducto de metal de 4" de diámetro (recomendado)



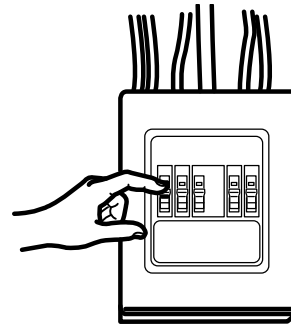
Conducto de metal flexible de 4" de diámetro (si fuese necesario)

Clasificado UL, de 120/240V, 30A con 3 o 4 patas. Identifique el tipo de enchufe según el tomacorriente de la vivienda antes de comprar el cable.

PARA SU SEGURIDAD:

⚠ ADVERTENCIA:

Antes de efectuar la conexión eléctrica, desactive los disyuntores o quite los fusibles del circuito de la secadora de la caja eléctrica. Verifique que el cable de la secadora esté desenchufado del tomacorriente. **NUNCA OLVIDE DE VOLVER A COLOCAR LA TAPA DE ACCESO DEL BLOQUE TERMINAL.**



CONEXIÓN ELÉCTRICA INFORMACIÓN SOBRE LAS SECADORAS ELÉCTRICAS

⚠ ADVERTENCIA: Para reducir el riesgo de incendio, descarga eléctrica y lesiones personales:

- No utilice un cable de extensión o un enchufe adaptador con este artefacto.
- La secadora debe contar con una conexión eléctrica a tierra en cumplimiento con los códigos y ordenanzas locales, o si éstos no existieran, de acuerdo con el CÓDIGO ELÉCTRICO NACIONAL, ANSI/NFPA N°. 70.

CÓMO CONECTAR UNA SECADORA ELECTRICA (cont.)

REQUERIMIENTOS ELÉCTRICOS PARA SECADORAS ELÉCTRICAS

Esta secadora debe conectarse a un circuito derivado individual, con la protección de un disyuntor o fusible de tiempo retardado. Se requiere un circuito de tres o cuatro cables, fase única, 120/240V ó 120/208V, 60Hz y 30 amperios. Si el suministro eléctrico no cumple con dichas especificaciones, entonces llame a un electricista matriculado.

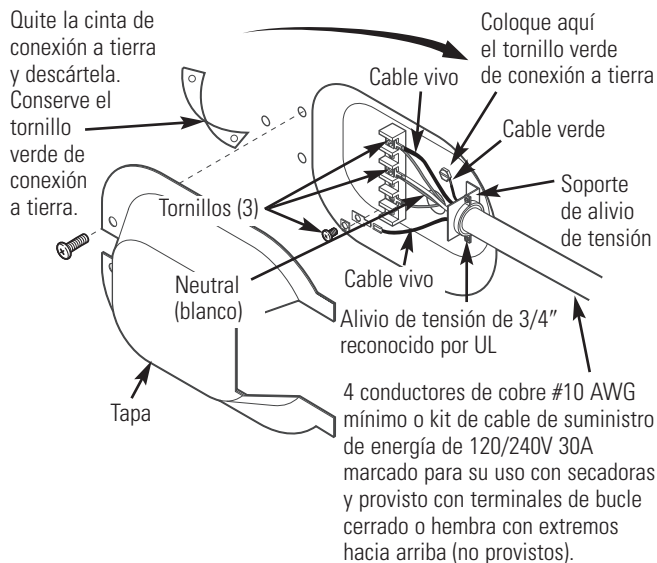
INSTRUCCIONES DE CONEXIÓN A TIERRA

Esta secadora debe conectarse a un sistema de cableado permanente con conexión a tierra o debe utilizarse un conductor de conexión a tierra del equipamiento con los conductores de circuito y conectarse a la terminal de conexión a tierra del artefacto.

CÓMO CONECTAR LA SECADORA USANDO UNA CONEXIÓN DE 4 CABLES (DEBE UTILIZARSE EN INSTALACIONES DE CASAS RODANTES)

NOTA: Desde el 1 de enero de 1996, el Código Eléctrico Nacional exige que las nuevas construcciones utilicen una conexión de 4 cables a una secadora eléctrica. También debe usarse un cable de 4 alambres cuando los códigos locales no permiten una conexión a tierra a través de cable neutral.

NO debe usarse una conexión de tres cables en una construcción nueva.



CÓMO CONECTAR LA SECADORA USANDO UNA CONEXIÓN DE 4 CABLES (DEBE UTILIZARSE EN INSTALACIONES DE CASAS RODANTES) (cont.)

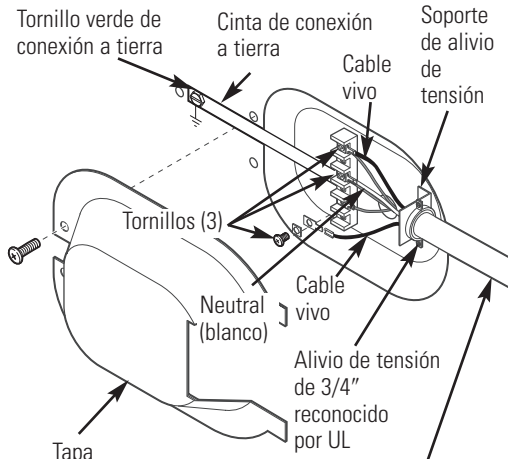
1. Desactive el disyuntor (30 amperios) o quite el fusible del circuito de la secadora de la caja eléctrica.
2. Verifique que el cable de la secadora esté desenchufado del tomacorriente.
3. Quite la tapa del cable de energía ubicada en la parte trasera inferior.
4. Quite y descarte la cinta de conexión a tierra. Conserve el tornillo verde de conexión a tierra para el paso 7.
5. Instale un alivio de tensión de 3/4 pulgadas reconocido por UL en el orificio de entrada del cable de energía. Pase el cable de energía a través del alivio de tensión.
6. Conecte el cable de energía de la siguiente manera:
 - A. Conecte los dos cables vivos a los tornillos externos del bloque terminal (marcado L1 y L2).
 - B. Conecte el cable neutral (blanco) al centro del bloque terminal (marcado N).
7. Conecte el cable a tierra del cable de energía con el tornillo verde de conexión a tierra (orificio sobre el soporte de alivio de tensión). Ajuste por completo todos los tornillos (3) del bloque terminal.
8. Ajuste bien el cable de energía al alivio de tensión.
9. Vuelva a instalar la tapa.

⚠ ADVERTENCIA:
NUNCA OLVIDE DE VOLVER A COLOCAR LA TAPA DEL BLOQUE TERMINAL.

Instrucciones de instalación

CÓMO CONECTAR LA SECADORA UTILIZANDO UNA CONEXIÓN DE 3 CABLES

Si así lo requirieran los códigos locales, instale una conexión a tierra externa (no provista) a metal con conexión a tierra, tuberías de agua fría con conexión a tierra u otra conexión a tierra establecida por un electricista calificado.



3 conductores de cobre #10 AWG mínimo o kit de cable de suministro de energía de 120/240V 30A marcado para su uso con secadoras y provisto con terminales de bucle cerrado o hembra con extremos hacia arriba (no provistos).

1. Desactive el disyuntor (30 amperios) o quite el fusible del circuito de la secadora de la caja eléctrica.
2. Verifique que el cable de la secadora esté desenchufado del tomacorriente.
3. Quite la tapa del cable de energía ubicada en la parte trasera inferior.
4. Instale un alivio de tensión de 3/4 pulgadas reconocido por UL en el orificio de entrada del cable de energía. Pase el cable de energía a través del alivio de tensión.
5. Conecte el cable de energía de la siguiente manera:
 - A. Conecte los dos cables vivos a los tornillos externos del bloque terminal (marcado L1 y L2).
 - B. Conecte el cable neutral (blanco) al centro del bloque terminal (marcado N).

CÓMO CONECTAR LA SECADORA UTILIZANDO UNA CONEXIÓN DE 3 CABLES (cont.)

6. Asegúrese de que la cinta de conexión a tierra esté conectada a la terminal neutral (central) del bloque y al tornillo verde de conexión a tierra de la parte trasera del gabinete. Ajuste por completo todos los tornillos (3) del bloque terminal.
7. Ajuste bien el cable de energía al alivio de tensión.
8. Vuelva a instalar la tapa.

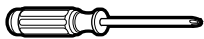
⚠ ADVERTENCIA:
NUNCA OLVIDE DE VOLVER A COLOCAR LA TAPA DEL BLOQUE TERMINAL.

SALIDA AL EXTERIOR DE LA SECADORA

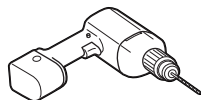
⚠ ADVERTENCIA: Para reducir el riesgo de incendio o lesiones personales:

- Esta secadora debe tener una salida al exterior.
- Sólo use un conducto de metal.
- No instale la boca de salida dentro de una chimenea, ventilación de gas, bajo un piso con cerramiento, espacio entre pisos, pared, cielorraso, dentro de un ático, u otro espacio oculto de un edificio. La acumulación de pelusas podría provocar un riesgo de incendio.
- Incluya un acceso para inspección y limpieza del sistema de salida, especialmente en las curvas. Inspeccione y limpie el conducto por lo menos una vez al año.
- Nunca instale la boca de salida de la secadora dentro de un conducto común con la salida de la cocina. La combinación de pelusas y grasa podría provocar un riesgo de incendio.
- No obstruya el aire que entra y sale.
- Esta secadora viene lista para una boca de salida por la parte trasera. Si el espacio es limitado, utilice las instrucciones de las páginas 128-130 para poder instalar la salida desde los lados o la parte inferior del gabinete.

HERRAMIENTAS Y MATERIALES NECESARIOS PARA INSTALAR UN CONDUCTO DE SALIDA



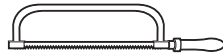
- Destornillador Phillips



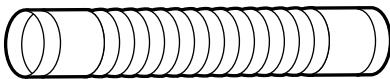
- Perfore con una broca de 1/8" drill bit (para ventilación inferior)



- Cinta aislante o abrazaderas de tubería



- Sierra para metales



- Conducto de metal de 4" (10,2 cm) flexible o rígido listado UL



- Campana de ventilación

LISTA DE CONTROL DEL SISTEMA DE SALIDA

CAMPANA O CUBIERTA DE PARED

- Instale la salida de modo de evitar contracorrientes o el ingreso de pájaros u otros insectos o animales.
- La boca de salida debe presentar una resistencia mínima al flujo de salida y debe requerir poco mantenimiento para evitar las obstrucciones.
- Nunca instale un filtro dentro o sobre el conducto de salida.
- Las cubiertas de pared deben instalarse por lo menos a 12" sobre el nivel del suelo o cualquier otra obstrucción con la abertura apuntando hacia abajo.
- Si se utilizan ventilaciones de techo o cámaras con rejillas, éstos deben ser equivalentes a una cubierta de pared con regulador de tiro de 4" en cuanto a corrientes de aire, prevención de contracorrientes y mantenimiento requerido para evitar obstrucciones.

SEPARACIÓN DE CURVAS

- Para un mejor desempeño, separe todas las curvas con 4 pies de conducto recto como mínimo, incluyendo la distancia entre la última curva y la cubierta de pared con regulador de tiro.

SELLADO DE JUNTAS

- Todas las juntas deben estar bien selladas para evitar pérdidas. El extremo macho de cada sección de conducto debe apuntar en dirección opuesta de la secadora.
- No arme la red de conductos con sujeciones que se extiendan dentro del conducto. Funcionarán como un punto de acumulación de pelusas.
- Las juntas de los conductos deben ser herméticas al aire y a la humedad mediante la superposición de juntas con cinta aislante o cinta de aluminio.
- Los tramos horizontales deben tener una inclinación hacia el exterior de 1/4" por pie.

AISLACIÓN

- Los conductos instalados a través de una área sin calefacción o ubicados cerca de un acondicionador de aire deben aislarse para reducir la condensación y la acumulación de pelusas.

Instrucciones de instalación

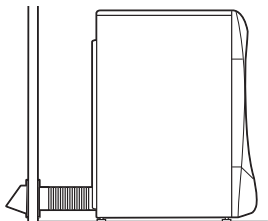
CÓMO UTILIZAR CONDUCTOS DE METAL FLEXIBLES PARA VENTILACIÓN DE TRANSICIÓN

Se recomiendan los conductos de metal rígidos o semi-rígidos como conductos de transición entre la secadora y la pared. En instalaciones especiales donde resulta imposible efectuar una conexión con las recomendaciones anteriores, entonces puede utilizarse un conducto de transición de metal flexible listado UL entre la secadora y la conexión de la pared solamente. El uso de este tipo de conducto afectará el tiempo de secado. Sólo deben utilizarse los conductos flexibles del tipo de aluminio especialmente identificados por el fabricante para poder ser usados con el artefacto. En los Estados Unidos, el conducto debe cumplir con las indicaciones para conductos de transición en secadoras de ropa, tema 2158A.

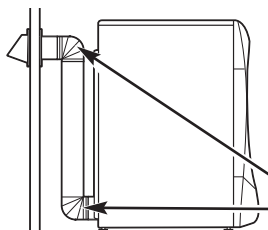
Si resulta necesario un conducto de transición de metal flexible, deben seguirse las siguientes instrucciones:

- Utilice la longitud más corta posible. La longitud total del conducto de metal flexible no deberá superar los 2.4 m.
- Estire el conducto hasta su longitud máxima.
- No lo aplaste o pliegue.
- Nunca utilice un conducto de metal flexible dentro de la pared o dentro de la secadora.
- No coloque el conducto sobre objetos afilados.
- La ventilación debe cumplir con los códigos de edificación locales.

PARA VENTILACIÓN DE TRANSICIÓN (SECADORA A PARED), HAGA LO SIGUIENTE:



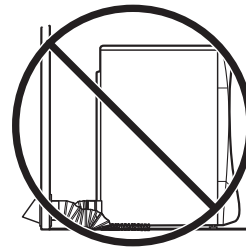
- **CORTE** el conducto lo más corto posible e instálelo derecho en la pared.



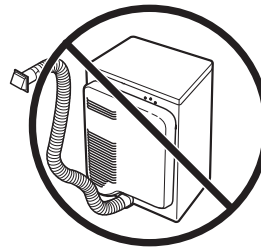
- **UTILICE** codos cuando hagan falta curvas.

Codos

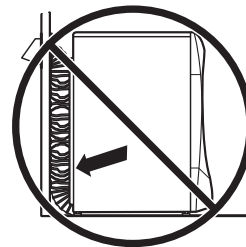
NO HAGA LO SIGUIENTE:



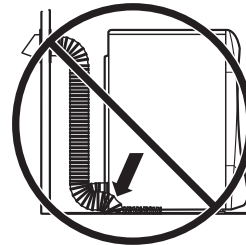
- **NO** doble o pliegue los conductos. Utilice codos si algunos codos resultan necesarios.



- **NO** utilice una longitud de salida excesiva. Corte los conductos con la longitud más corta posible.



- **NO** aplaste el conducto contra la pared.



- **NO** coloque la secadora en el conducto.

Instrucciones de instalación

SALIDA AL EXTERIOR DE LA SECADORA (cont.)

⚠ ADVERTENCIA – SÓLO USE UN CONDUCTO DE METAL DE 4". NO UTILICE UN CONDUCTO DE UNA LONGITUD MAYOR A LA ESPECIFICADA EN LA TABLA DE LONGITUD DE SALIDA.

Al utilizar una salida de mayor longitud a la especificada se:

- Incrementarán los tiempos de secado y el costo de energía.
- Reducirá la vida útil de la secadora.
- Acumulará pelusa, lo que podría generar un riesgo potencial de incendio.

La correcta instalación de salida es **SU RESPONSABILIDAD**.

Los problemas generados por una instalación incorrecta no se encuentran cubiertos por la garantía.

La longitud MÁXIMA PERMITIDA del sistema de salida depende del tipo de conducto, la cantidad de curvas, la clase de campana de salida (cubierta de pared) y todas las condiciones indicadas a continuación. En la tabla siguiente se incluyen conductos de metal rígidos y flexibles.

LONGITUD DE SALIDA

LONGITUD MÁXIMA RECOMENDADA				
Tipos de campana de salida				
Recomendado		Utilizar sólo en instalaciones de trayecto corto		
Cant. de codos de 90°	Metal rígido	Metal flexible	Metal rígido	Metal flexible
0	150 pies	55 pies	125 pies	45 pies
1	135 pies	52 pies	115 pies	42 pies
2	125 pies	49 pies	105 pies	39 pies
3	115 pies	46 pies	95 pies	36 pies
4	105 pies	43 pies	85 pies	33 pies
5	95 pies	40 pies	75 pies	30 pies

Si utiliza un conducto de metal flexible, consulte la página 125.

LISTA DE CONTROL DEL SISTEMA DE SALIDA

CAMPANA O CUBIERTA DE PARED

- Instale la salida de modo de evitar contracorrientes o el ingreso de pájaros u otros insectos o animales.
- La boca de salida debe presentar una resistencia mínima al flujo de salida y debe requerir poco mantenimiento para evitar las obstrucciones.
- **Nunca** instale un filtro dentro o sobre el conducto de salida. Esto podría provocar una acumulación de pelusa.
- Las cubiertas de pared deben instalarse por lo menos a 12" sobre el nivel del suelo o cualquier otra obstrucción con la abertura apuntando hacia abajo.
- Si se utilizan ventilaciones de techo o cámaras con rejillas, éstos deben ser equivalentes a una cubierta de pared con regulador de tiro de 4" en cuanto a corrientes de aire, prevención de contracorrientes y mantenimiento requerido para evitar obstrucciones.

SEPARACIÓN DE CURVAS

Para un mejor desempeño, separe todas las curvas con 4 pies de conducto recto como mínimo, incluyendo la distancia entre la última curva y la campana de salida.

GIROS QUE NO SON DE 90°

- Un giro de 45° o menos puede ignorarse.
- Dos giros de 45° deben tratarse como un giro de 90°.
- Todos los giros de más de 45° deben tratarse como un giro de 90°.

SELLADO DE JUNTAS

- Todas las juntas deben estar bien selladas para evitar pérdidas. El extremo macho de cada sección de conducto debe apuntar en dirección opuesta de la secadora.
- No arme la red de conductos con sujeciones que se extiendan dentro del conducto. Funcionarán como un punto de acumulación de pelusas.
- Las juntas de los conductos deben ser herméticas al aire y a la humedad mediante la superposición de juntas con cinta aislante.
- Los tramos horizontales deben tener una inclinación hacia el exterior de 1/2" por pie.

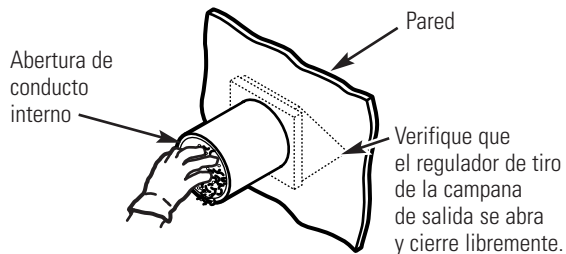
AISLACIÓN

- Los conductos instalados a través de una área sin calefacción o ubicados cerca de un acondicionador de aire deben aislarse para reducir la condensación y la acumulación de pelusas.

Instrucciones de instalación

ANTES DE COMENZAR

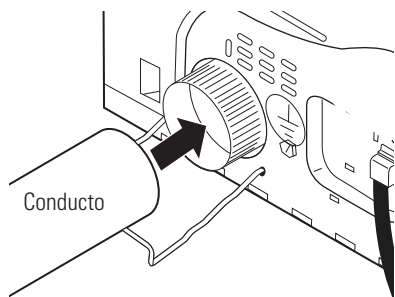
Quite las pelusas de la abertura de salida de la pared.



SALIDA TRASERA ESTÁNDAR

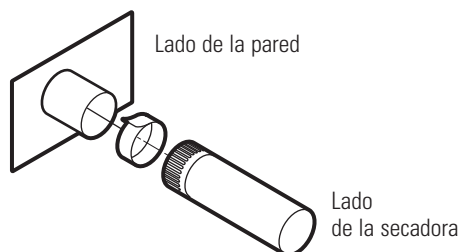
Recomendamos instalar la secadora antes que la lavadora. Esto permitirá un acceso directo para poder efectuar la conexión de salida.

Deslice el extremo del conducto de salida hacia la parte trasera de la secadora y sujete con cinta aislante o una abrazadera de mangueras.



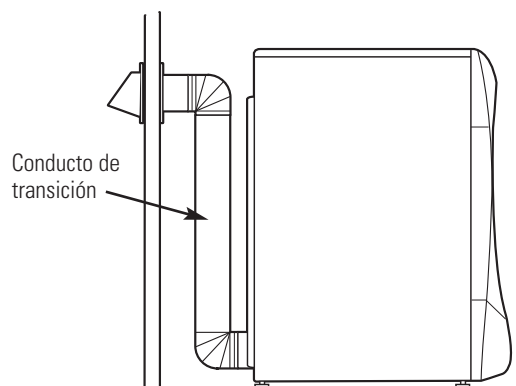
NOTA: Recomendamos el uso de un conducto de salida rígido de metal. Si utiliza un conducto semi-rígido de metal, córtelo con la longitud adecuada y trate de que no se aplaste detrás de la secadora.

- Para una instalación en línea recta, conecte la salida de la secadora a la pared con cinta aislante.



CONFIGURACIÓN RECOMENDADA PARA MINIMIZAR LAS OBSTRUCCIONES DE LA SALIDA

El uso de codos evitará que los conductos se tuerzan y caigan.



Instrucciones de instalación

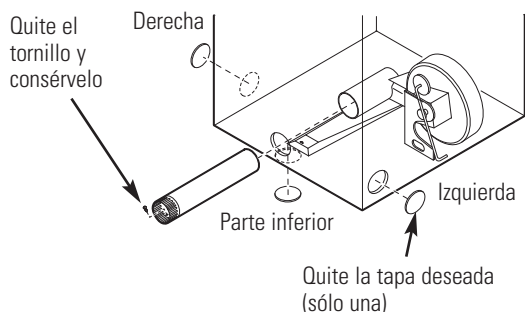
SALIDA AL EXTERIOR DE LA SECADORA (cont.)

VENTILACIÓN LATERAL

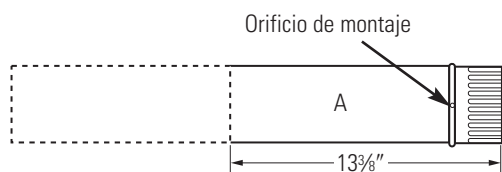
La secadora cuenta con una salida hacia la derecha del gabinete sólo en modelos eléctricos. La secadora cuenta con una salida hacia la izquierda del gabinete en modelos a gas y eléctricos.

⚠ ADVERTENCIA:

ANTES DE EFECTUAR ESTA INSTALACIÓN DE SALIDA, ASEGÚRESE DE DESCONECTAR LA SECADORA DEL SUMINISTRO ELÉCTRICO. PROTEJA SUS MANOS Y BRAZOS DE LOS LADOS AFILADOS CUANDO TRABAJE DENTRO DEL GABINETE. ASEGÚRESE DE USAR GANTES.

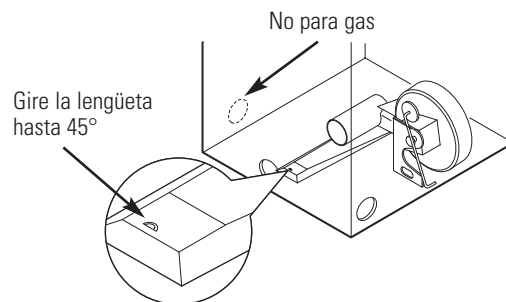


Despegue y quite la tapa inferior, derecha o izquierda, según corresponda. Quite el tornillo ubicado dentro del conducto de salida de la secadora y consérvelo. Saque el conducto de la secadora.



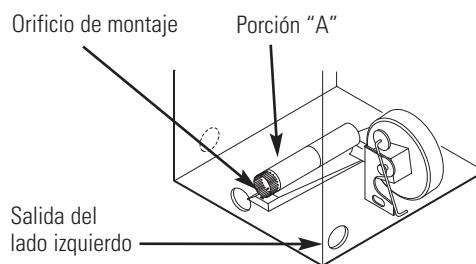
Corte el conducto como puede verse y conserve la porción A.

UBICACIÓN DE LA LENGÜETA



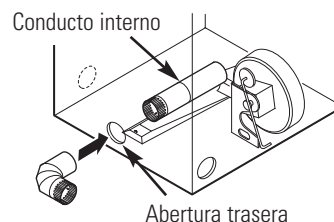
A través de la abertura trasera, ubique la lengüeta en el medio de la base del artefacto. Levante la lengüeta hasta alrededor de 45°, utilizando un destornillador de lados planos.

CÓMO AGREGAR UN CONDUCTO NUEVO



Vuelva a conectar la porción cortada "A" del conducto a la caja del ventilador. Asegúrese de que el conducto más corto se encuentre alineado con la lengüeta de la base. Utilice el tornillo conservado con anterioridad para sujetar el conducto en su lugar a través de la lengüeta de la base del artefacto.

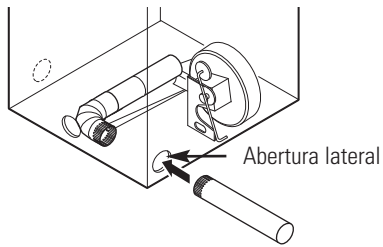
CÓMO AGREGAR CODOS Y CONDUCTOS DE SALIDA HACIA LA IZQUIERDA O DERECHA DEL GABINETE



- Introduzca el codo de 4" a través de la abertura trasera y conéctelo al conducto interno de la secadora.

Instrucciones de instalación

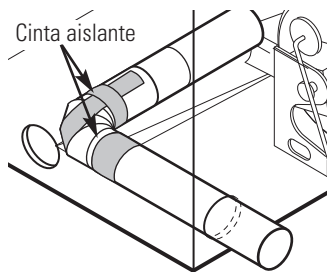
VENTILACIÓN LATERAL (cont.)



- Introduzca el conducto de 4" a través de la abertura lateral y conéctelo al codo.

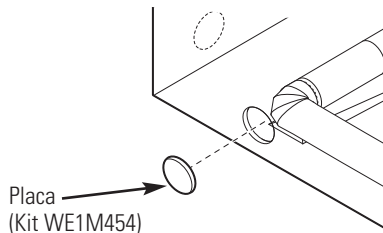
PRECAUCIÓN: No tire de los cables eléctricos ni los dañe ni tampoco quite la cubierta de vinilo de los componentes eléctricos dentro de la secadora cuando introduzca el conducto. Es posible que se produzca una pequeña interferencia entre el tubo de escape y los componentes cableados.

- Aplique cinta aislante como puede verse en la junta entre el conducto interno de la secadora y el codo, y también en la junta entre el codo y el conducto lateral.



PRECAUCIÓN: Las juntas del conducto interno deben sujetarse con cinta; caso contrario, pueden separarse y provocar un riesgo de seguridad.

CÓMO AGREGAR LA PLACA DE CUBIERTA A LA PARTE TRASERA DEL GABINETE (SALIDA LATERAL)



Conecte los codos y conductos de metal estándar para completar el sistema de salida. Cubra la abertura trasera con la placa (Kit WE1M454), disponible en su proveedor de servicios local. Coloque la secadora en su ubicación final.

⚠ ADVERTENCIA:

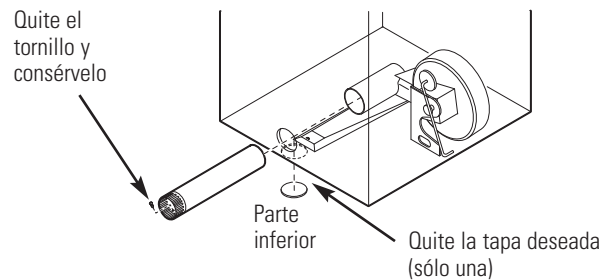
NUNCA DEJE LA ABERTURA TRASERA SIN LA PLACA EN SU LUGAR. (Kit WE1M454)

VENTILACIÓN POR LA PARTE INFERIOR

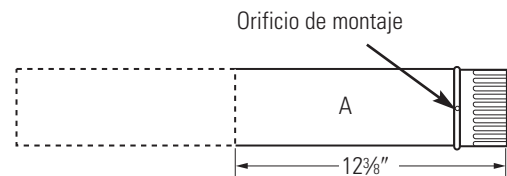
La secadora cuenta con una salida por la parte inferior del gabinete en modelos a gas y eléctricos.

⚠ ADVERTENCIA:

ANTES DE EFECTUAR ESTA INSTALACIÓN DE SALIDA, ASEGÚRESE DE DESCONECTAR LA SECADORA DEL SUMINISTRO ELÉCTRICO. PROTEJA SUS MANOS Y BRAZOS DE LOS LADOS AFILADOS CUANDO TRABAJE DENTRO DEL GABINETE. ASEGÚRESE DE USAR GUANTES.



Quite el tornillo ubicado dentro del conducto de salida de la secadora y consérvelo. Saque el conducto de la secadora. Desconecte y quite la tapa inferior.

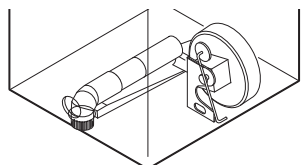
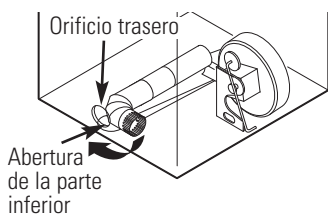
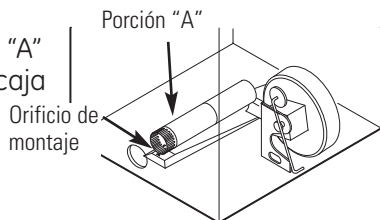


Corte el conducto como puede verse y conserve la porción A.

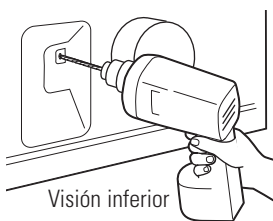
SALIDA AL EXTERIOR DE LA SECADORA (cont.)

CÓMO AGREGAR UN CONDUCTO NUEVO

- Vuelva a conectar la porción cortada "A" del conducto a la caja del ventilador.
- Sujete el codo con cinta en una posición de 90 grados para evitar la rotación.
- Introduzca el codo a través del orificio trasero y conéctelo a la porción "A". Gire el codo a través de la abertura inferior.



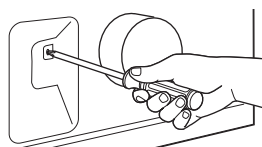
- Mientras sostiene la tubería y codo, utilizando su mano a través de la abertura trasera, perfora un orificio de 1/8" a través del orificio de la lengüeta inferior y la tubería como puede verse en la ilustración.



NOTA: Asegúrese de que el orificio atraviese bien el codo y la tubería.

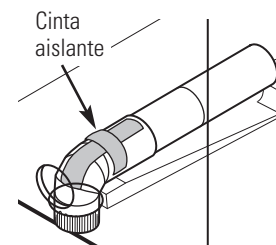
PRECAUCIÓN: Asegúrese de no tirar o dañar los cables eléctricos ubicados dentro de la secadora cuando introduzca el conducto.

- Mientras todavía sostiene la tubería y codo de la abertura trasera, atornille las tuberías en su lugar con el tornillo conservado con anterioridad.



VENTILACIÓN POR LA PARTE INFERIOR (cont.)

- Aplique cinta aislante como puede verse en la junta entre el conducto interno de la secadora y el codo.

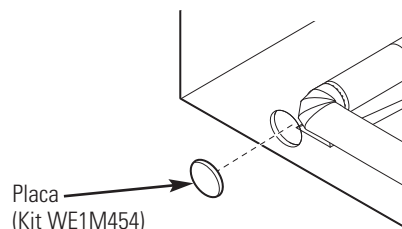


NOTA: Asegúrese de que la cinta cubra el orificio del tornillo de la porción A donde se conecta con el codo.

PRECAUCIÓN: Las juntas del conducto interno deben sujetarse con cinta; caso contrario, pueden separarse y provocar un riesgo de seguridad.

La secadora cuenta con una salida por la parte inferior del gabinete en modelos a gas y eléctricos.

CÓMO AGREGAR LA PLACA DE CUBIERTA A LA PARTE TRASERA DEL GABINETE (SALIDA POR LA PARTE INFERIOR)



Conecte los codos y conductos de metal estándar para completar el sistema de salida. Cubra la abertura trasera con la placa (Kit WE1M454), disponible en su proveedor de servicios local. Coloque la secadora en su ubicación final.

⚠ ADVERTENCIA:

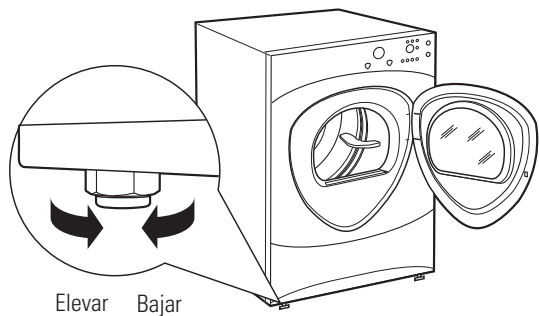
NUNCA DEJE LA ABERTURA TRASERA SIN LA PLACA EN SU LUGAR. (Kit WE1M454)

Instrucciones de instalación

CONFIGURACIÓN FINAL

1 NIVELA LA SECADORA

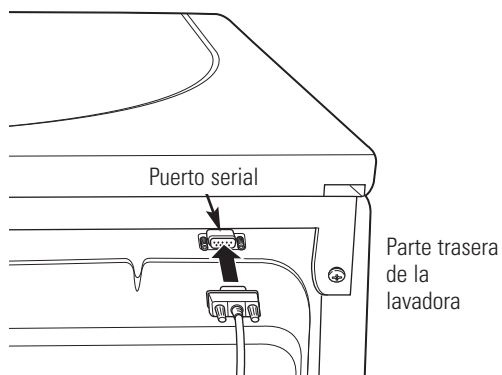
Coloque la secadora en posición vertical cerca de la ubicación definitiva y ajuste las cuatro patas niveladoras para garantizar que la secadora se encuentre nivelada de lado a lado y del frente a la parte trasera.



2 CONECTE EL CABLE SERIAL

Sujete el cable serial de la conexión de lavadora y secadora al puerto serial ubicado en la parte trasera de la secadora.

Conecte el otro extremo del cable a la lavadora antes de colocar la lavadora en su posición definitiva.



3 ENCHUFE LA SECADORA



Verifique que haya una conexión a tierra adecuada antes del uso.

4 INSTRUCCIONES DE CONEXIÓN A TIERRA

Este electrodoméstico se debe conectar a tierra. En caso de mal funcionamiento o avería, la conexión a tierra reducirá el riesgo de descarga eléctrica, al brindar un camino de menor resistencia para la corriente eléctrica. El electrodoméstico se encuentra equipado con un cable que posee un equipo de conducción a tierra y un enchufe de conexión a tierra. El enchufe se debe colocar en un tomacorriente instalado de forma adecuada y se deberá conectar a tierra de acuerdo con todos los códigos y ordenanzas locales.

4 INICIO DE LA SECADORA

Presione el botón **POWER** (encendido).



NOTA: Si la secadora ha sido expuesta a temperaturas bajo cero por un período prolongado, deje que suba la temperatura antes de presionar **POWER**. De otra manera, la pantalla no se encenderá.

Su secadora ya está lista para usar.

REPARACIÓN

⚠ ADVERTENCIA:

Etiquete todos los cables antes de la desconexión cuando haga reparaciones de los controles. Los errores de cableado pueden provocar un funcionamiento inadecuado y peligroso después de la reparación/instalación.

Para piezas de repuesto y otra información, diríjase a la página 151 para obtener números telefónicos de servicio.

Instrucciones de instalación

CÓMO INVERTIR LA APERTURA DE LA PUERTA (si así se desea)

NOTAS IMPORTANTES

- Lea todas las instrucciones antes de comenzar.
- Manipule las piezas con cuidado para no rayar la pintura.
- Coloque las puertas sobre una superficie de trabajo que no raye.
- Separe los tornillos por sus piezas relacionadas para evitar usarlos en lugares equivocados.
- Todos los tornillos deben ajustarse a mano.
- El tiempo normal utilizado para invertir la apertura de la puerta es de 30–60 minutos.

IMPORTANTE: Una vez que haya comenzado, no mueva el gabinete hasta haber finalizado la inversión de la apertura de la puerta.

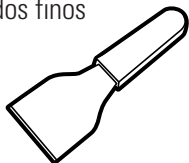
Estas instrucciones son para cambiar las bisagras del lado derecho al lado izquierdo; si alguna vez desea cambiarlas de nuevo al lado derecho, siga las mismas instrucciones e invierta todas las referencias de izquierda a derecha.

HERRAMIENTAS NECESARIAS

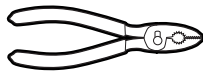
Destornillador Phillips



Espátula o destornillador de lados finos



Pinzas



KIT ESTÁNDAR DE REVERSIBILIDAD

Tapa de puerta de cromo



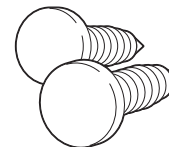
Tapa de bisagra de puerta de cromo



Tapa de puerta interna

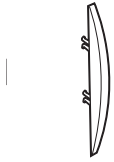


2 botones obturadores

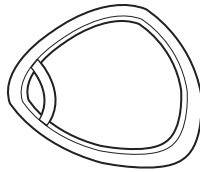


Instrucciones de instalación

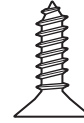
PIEZAS DE LA PUERTA



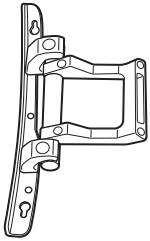
Tapa de la bisagra



Cubierta de puerta de cromo



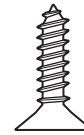
C Tornillo auto-roscante pequeño
1 – #8 x 0.375"



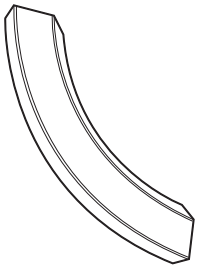
Montaje de bisagra



Tapa de puerta de cromo



D Tornillos auto-roscantes pequeños
11 – #8 x 0.625"



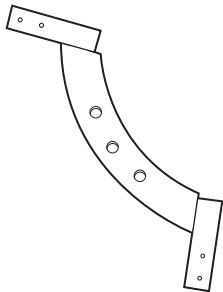
Manija exterior



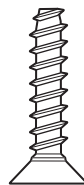
Tapa de puerta interna



E Tornillos mecánicos
4 – #8 x 0.50"



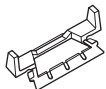
Manija interior



A Tornillos auto-roscantes grandes
7 – #10 x 1.125"



B Tornillos auto-roscantes grandes
2 – #10 x 0.750"



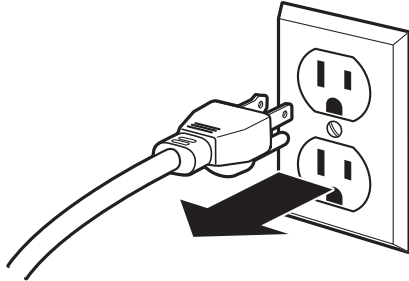
2 tapas de la manija

Instrucciones de instalación

CÓMO INVERTIR LA APERTURA DE LA PUERTA (si así se desea)

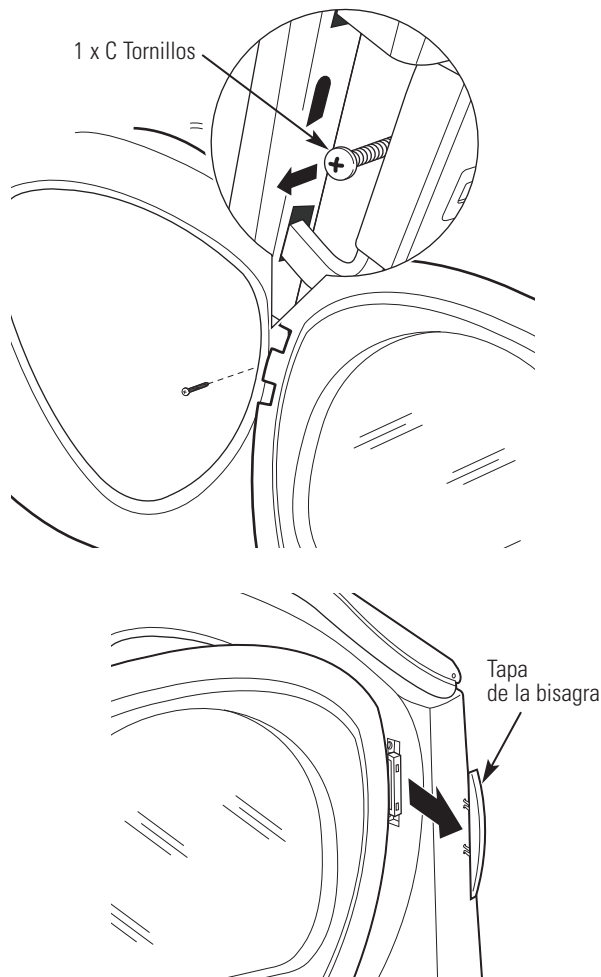
ANTES DE COMENZAR

Desenchufe la secadora del tomacorriente.



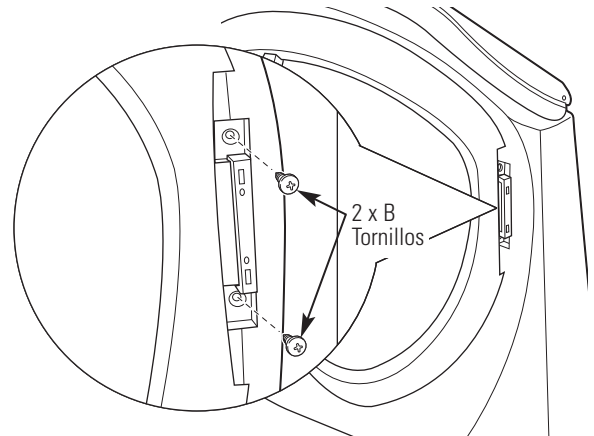
1 QUITAR EL MONTAJE DE LA PUERTA

Quite la tapa de la bisagra lateral abriendo la puerta de la secadora y quitando el tornillo de la parte trasera de la bisagra (tornillo auto-roscante #8 x .375"). Luego, usando la mano, quite la tapa de la bisagra de la secadora.



1 QUITAR EL MONTAJE DE LA PUERTA (cont.)

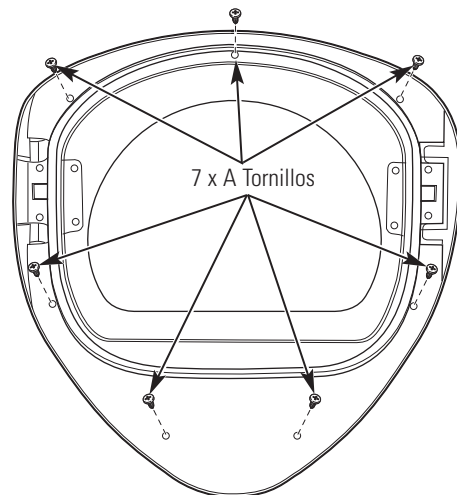
Sostenga la puerta y quite los 2 tornillos de la bisagra (tornillos auto-roscantes #10 x 0.75"). Aleje la puerta del panel frontal de la secadora.



2 DESARME EL MONTAJE DE LA PUERTA

Coloque la puerta sobre una superficie plana, suave y protegida de modo que la parte interior mire hacia arriba (la puerta descansa sobre el lado de la manija).

Quite los 7 tornillos (tornillos auto-roscantes #10 x 1.125") ubicados alrededor del perímetro de la puerta.

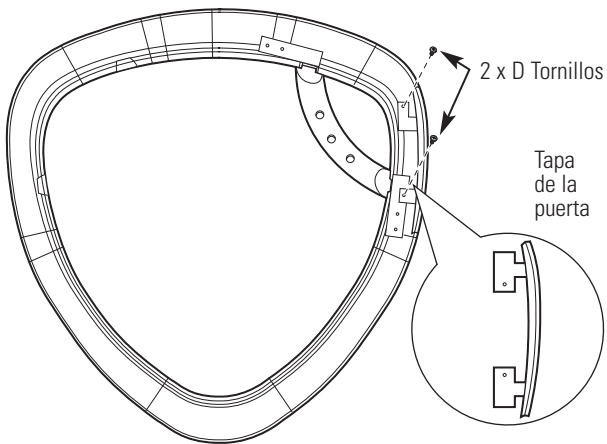


Dé vuelta el montaje de la puerta y separe la tapa de cromo de la puerta interior. Coloque la puerta interior en una superficie plana, suave y protegida.

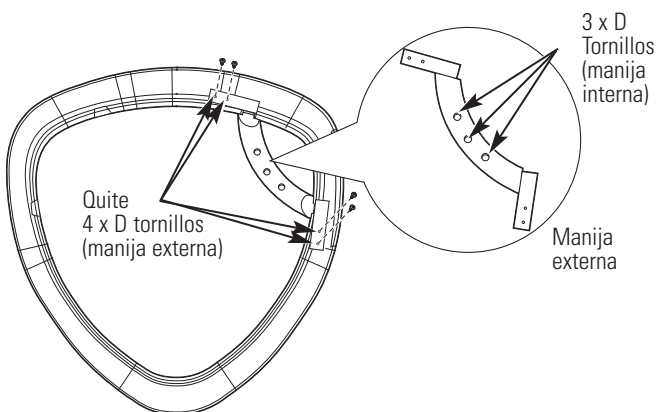
Instrucciones de instalación

3 CÓMO INVERTIR LA MANIJA Y LAS TAPAS DE LA PUERTA

A Coloque la cubierta de cromo sobre una superficie plana, suave y protegida de modo que la parte interior mire hacia arriba (apoyada sobre el lado de la manija). Desarme la tapa de la puerta de la cubierta de cromo del lado de la manija quitando 2 tornillos (tornillos auto-roscantes #8 x 0.625").

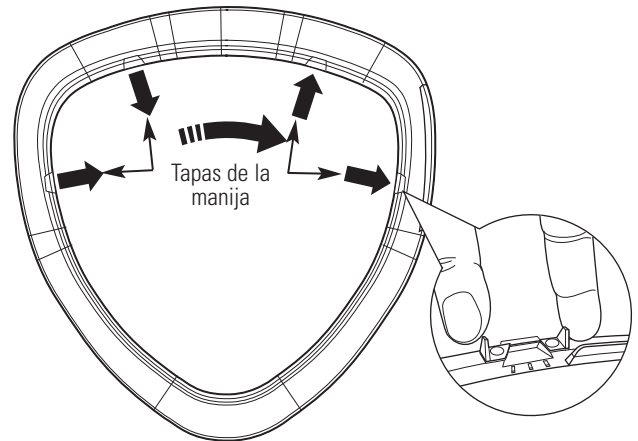


B Desarme la manija interior de la manija exterior quitando 3 tornillos (tornillos auto-roscantes #8 x 0.625"). Desarme la manija externa de la cubierta de cromo quitando 4 tornillos (tornillos auto-roscantes #8 x 0.625").

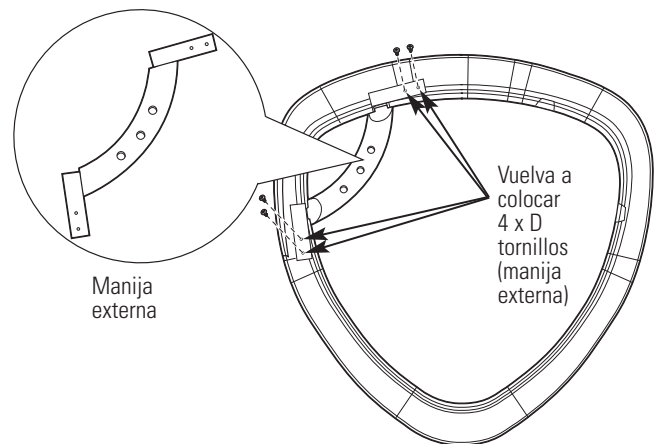


3 CÓMO INVERTIR LA MANIJA Y LAS TAPAS DE LA PUERTA

C Quite las 2 tapas de la manija y vuelva a armar en el lado opuesto de la cubierta de cromo, donde se quitó la manija exterior.



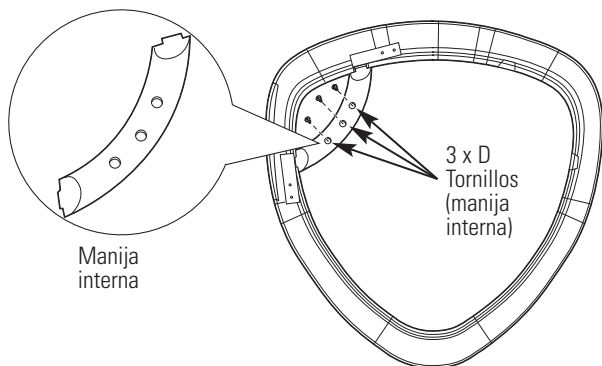
D Arme la manija exterior en el lado opuesto de la cubierta de cromo, utilizando 4 tornillos (tornillos auto-roscantes #8 x 0.625").



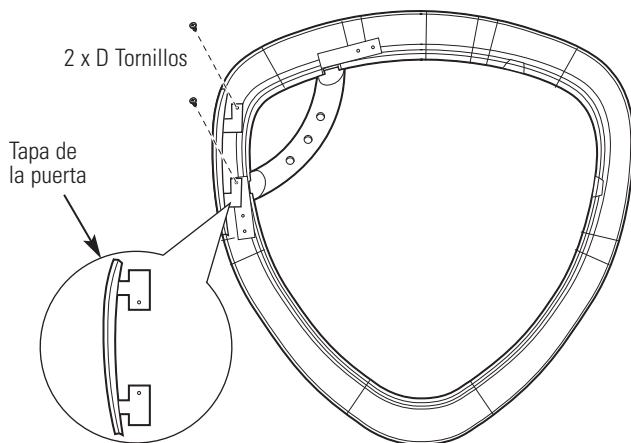
CÓMO INVERTIR LA APERTURA DE LA PUERTA (si así se desea)

3 CÓMO INVERTIR LA MANIJA Y LAS TAPAS DE LA PUERTA (CONT.)

E Vuelva a armar la manija externa de la cubierta de cromo, utilizando 3 tornillos (tornillos auto-roscantes #8 x 0.625").



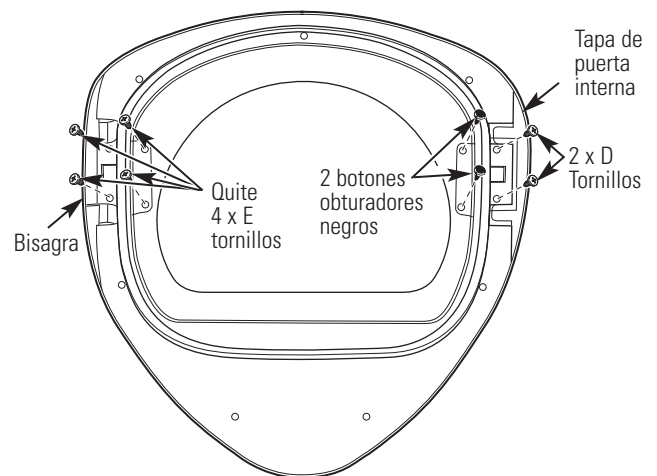
F Arme la nueva tapa de la puerta del lado derecho (del kit de reversibilidad), utilizando 2 tornillos (tornillos auto-roscantes #8 x 0.625").



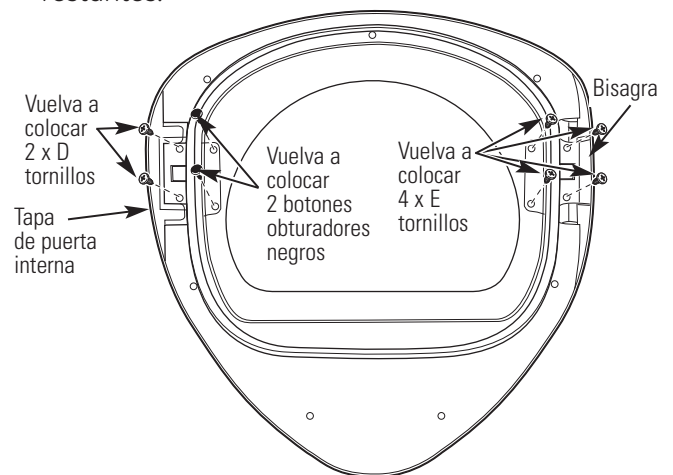
Coloque la cubierta de cromo en una superficie plana, suave y protegida.

4 CÓMO INVERTIR LAS BISAGRAS Y TAPAS

- Coloque la puerta interior sobre una superficie plana, suave y protegida de modo que la parte interior mire hacia arriba.
- Quite los 2 botones obturadores negros del lado opuesto de la bisagra utilizando una espátula o un destornillador de lados finos.
- Desarme la tapa de la puerta interior de la puerta interior quitando 2 tornillos (tornillos auto-roscantes #8 x 0.75").
- Desarme la bisagra de la puerta interior quitando 4 tornillos (tornillos mecánicos #8-32 x 0.50").



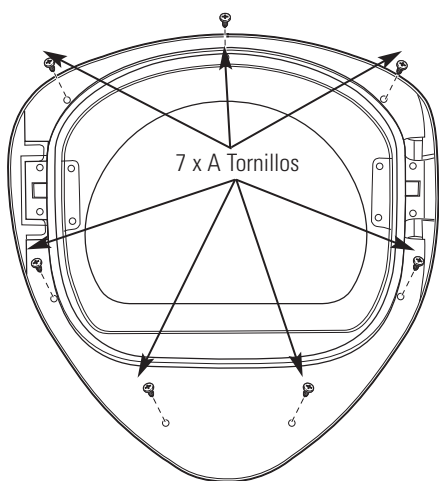
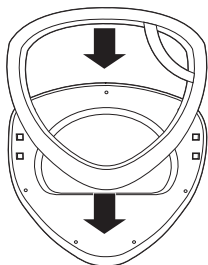
- Coloque la bisagra en el lado opuesto de la puerta interna utilizando 4 tornillos (tornillos mecánicos #8-32 x 0.50").
- Arme la nueva tapa de la puerta interna (del kit de reversibilidad) sobre el lado opuesto de la bisagra, utilizando 2 tornillos (tornillos auto-roscantes #8 x 0.75").
- Instale los 2 botones obturadores negros sobre el lado opuesto de la bisagra en los 2 orificios restantes.



Instrucciones de instalación

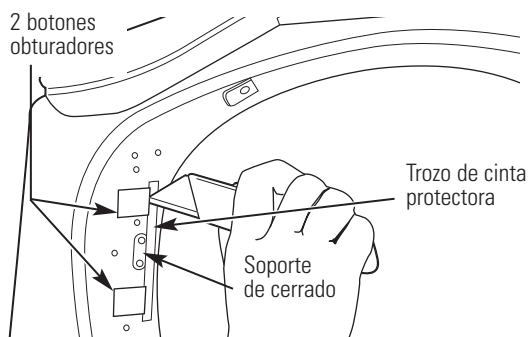
5 CÓMO VOLVER A COLOCAR EL MONTAJE DE LA PUERTA

Dé vuelta la puerta interior y colóquela sobre una superficie plana, suave y protegida de modo que la parte interior mire hacia abajo. Sujete la cubierta de cromo a la puerta interior colocándolas juntas. Dé vuelta el montaje de la puerta y ármelo utilizando 7 tornillos (tornillos auto-roscantes #10 x 1.125").



6 CÓMO INVERTIR LOS BOTONES OBTURADORES DEL PANEL FRONTAL Y LA PLACA DE CERRADO

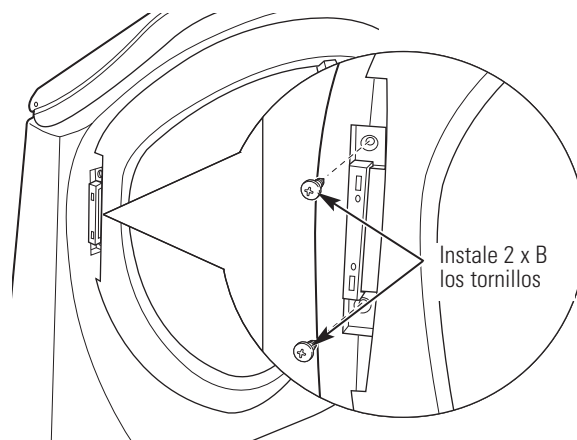
Quite los 2 botones obturadores del panel frontal de la secadora utilizando una espátula u otra herramienta plana como se muestra y vuelva a instalarlos en el lado opuesto. Cambie el soporte de cerrado y su cubierta quitando 2 tornillos (tornillos auto-roscantes #8 x 0.625") en cada uno y reinstalándolos en lados opuestos.



NOTA: Aplique un trozo de cinta protectora al costado del botón obturador donde se introducirá la hoja de la espátula para evitar rayones.

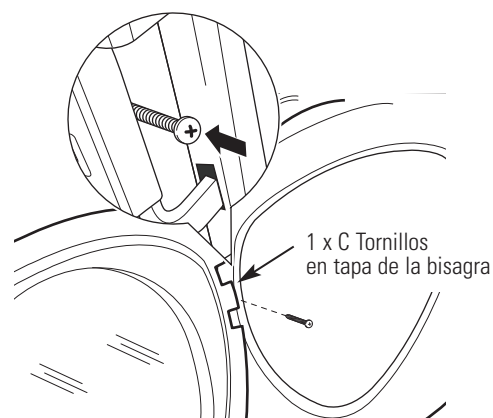
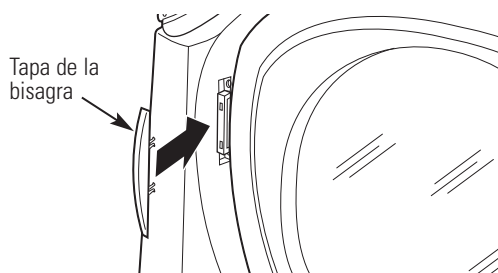
7 CÓMO REINSTALAR EL MONTAJE DE LA PUERTA

Coloque la puerta en el panel frontal de la secadora, verificando que la traba esté activada y que la bisagra se encuentre ubicada en las dos aberturas del frente de la secadora. Sujete la puerta al gabinete frontal utilizando 2 tornillos (tornillos auto-roscantes #10 x 0.75").



Instale la nueva tapa de la bisagra de la izquierda (del kit de reversibilidad) en la bisagra abriendo la puerta de la secadora y atornillando la tapa de la bisagra en su lugar.

NOTA: Conserve las tapas y cubiertas sobrantes por si alguna vez quiere volver a invertir la bisagra.



Instrucciones de instalación

CÓMO APILAR LA LAVADORA Y LA SECADORA (si así lo desea)

ANTES DE COMENZAR

Lea detenidamente todas las instrucciones.

- **IMPORTANTE** – Guarde estas instrucciones para uso del inspector local.
- **IMPORTANTE** – Cumpla todos los códigos y ordenanzas regulatorias.
- **Nota al instalador** – Asegúrese de dejar estas instrucciones al usuario.
- **Nota al usuario** – Guarde estas instrucciones para consultas futuras.
- La instalación **debe** efectuarla un instalador calificado.
- La instalación adecuada es responsabilidad del instalador.

PARA SU SEGURIDAD:

ADVERTENCIA:

- Peligro de descarga eléctrica. Desconecte la energía antes de instalar. No hacerlo puede provocar una lesión personal grave o la muerte.
- **Lesiones personales potenciales.**
Se recomienda que más de dos personas levanten la secadora hasta su posición debido a su peso y tamaño. No hacerlo puede provocar una lesión personal o la muerte.
- Evite la inclinación y ruptura de los servicios públicos. La secadora debe estar bien sujeta a la lavadora. NO coloque la lavadora sobre la secadora. Hacerlo puede provocar una lesión personal/la muerte o daños a la propiedad.
- Instalación en casas rodantes o casas prefabricadas – No se permite apilar una secadora a gas en casas rodantes o casas prefabricadas.

ESPACIO LIBRE MÍNIMO EN OTROS ESPACIOS QUE NO SEAN INSTALACIONES EN NICHOS O ARMARIOS

Los espacios libres mínimos respecto de superficies combustibles y de aberturas de aire son: 0" a ambos lados, 1" en el frente y 3" en la parte trasera. Debe tenerse en cuenta un espacio libre adecuado para un funcionamiento y reparación correctos.

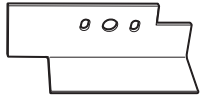
REQUERIMIENTOS PARA INSTALACIÓN EN NICHOS O ARMARIOS

- Su secadora puede instalarse en un nicho o armario, como se indica en la etiqueta de la parte trasera del aparato.
- Esta secadora **DEBE** tener una ventilación al exterior. Ver la sección SALIDA AL EXTERIOR DE LA SECADORA.
- El espacio libre mínimo entre el armario de la secadora y las paredes adyacentes u otras superficies es:
 - 0" sobre ambos lados
 - 3" sobre el frente y la parte trasera
- El espacio vertical mínimo desde el piso a los estantes superiores, gabinetes, cielorrasos, etc., es de 52".
- Las puertas del armario deben contar con rejillas u otro tipo de ventilación y tener por lo menos 60 pulgadas cuadradas de espacio abierto igualmente distribuido. Si el armario incluye una lavadora y una secadora, las puertas deben contener un mínimo de 120 pulgadas cuadradas de espacio abierto distribuido uniformemente.
- El armario debe tener ventilación hacia el exterior para evitar la acumulación de gas en caso de que haya gas en la línea de suministro.
- No deberán instalarse otros artefactos a combustible en el mismo armario con la secadora (sólo modelos a gas).

NOTA: CUANDO EL CONDUCTO DE SALIDA ESTÁ UBICADO EN LA PARTE TRASERA DE LA SECADORA, EL ESPACIO LIBRE MÍNIMO DESDE LA PARED DEBE SER 5.5 PULGADAS.

Instrucciones de instalación

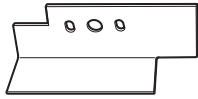
CONTENIDOS DEL KIT



☐ Soporte de lado derecho



☐ 4 tornillos #12 x 1"



☐ Soporte de lado izquierdo



☐ 4 tornillos #8 x 1/2"



☐ 4 almohadillas de goma

HERRAMIENTAS NECESARIAS



☐ Destornillador Phillips



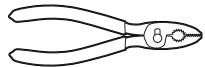
☐ Guantes



☐ Llave de extremo abierto



☐ Nivel



☐ Pinzas

PREPARACIÓN PARA LA INSTALACIÓN

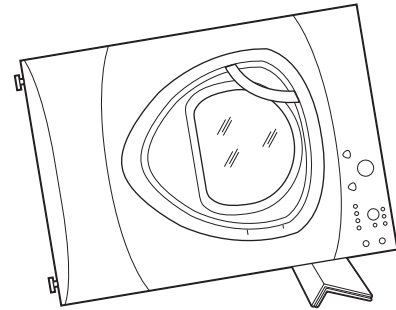
Quite el envoltorio.

Aplaste el cartón del producto para poder utilizarlo para colocar la secadora de costado. Siga usando el cartón para proteger el piso frente al lugar de instalación.

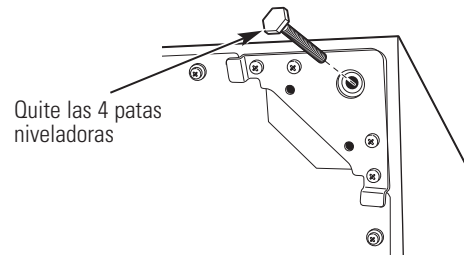
CÓMO INSTALAR EL KIT DE SOPORTE DE APILADO

1 CÓMO QUITAR LAS PATAS NIVELADORAS DE LA SECADORA

A. Con cuidado coloque la secadora sobre su lado. Utilice el material de empaque para no rayar el acabado de la secadora.

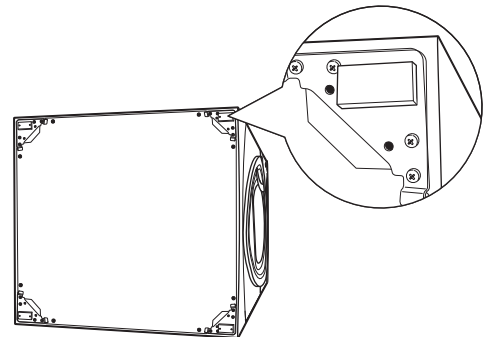


B. Utilice una llave de extremo abierto o pinzas para quitar las patas niveladoras de la secadora.



2 INSTALE ALMOHADILLAS DE GOMA EN LA BASE DE LA SECADORA

Ubique las 4 almohadillas de goma en el paquete de piezas. Quite el papel que recubre el adhesivo y colóquelas firmemente sobre el soporte donde quitó las patas niveladoras.

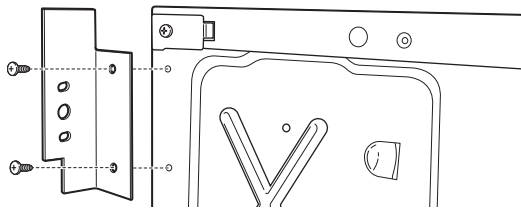


CÓMO APILAR LA LAVADORA Y LA SECADORA (si así lo desea) (cont.)

3 CÓMO INSTALAR EL SOPORTE EN LA SECADORA

- Alinee los orificios del soporte izquierdo con los orificios del extremo inferior izquierdo de la secadora. Utilice un destornillador Phillips para instalar los 2 tornillos auto-roscantes #12 x 1".
- Repita el paso anterior con el soporte derecho en el extremo inferior derecho de la secadora.
- Coloque la secadora en posición vertical.

NOTA: Asegúrese de que la secadora se encuentre sobre un pedazo de material de empaque para que los soportes sujetos a la parte inferior de la secadora no dañen el piso.



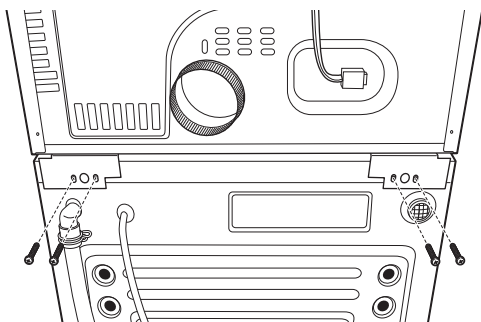
4 CÓMO INSTALAR LA SECADORA Y EL SOPORTE EN LA LAVADORA

- Levante la secadora sobre la lavadora. Tenga cuidado de no rayar la parte superior de la lavadora con los soportes. Proteja el panel de control de la lavadora con cartón u otra protección. Asegúrese de levantar la secadora lo suficiente para liberar el panel de control de la lavadora.

⚠ ADVERTENCIA:

Lesiones personales potenciales. Se recomienda que más de dos personas levanten la secadora hasta su posición debido a su peso y tamaño. No hacerlo puede provocar una lesión personal o la muerte.

- Alinee los orificios del soporte con los orificios de la parte trasera de la lavadora. Con un destornillador Phillips, sujete los 2 tornillos auto-roscantes #8 x 1/2". Repita en ambos lados de la lavadora.

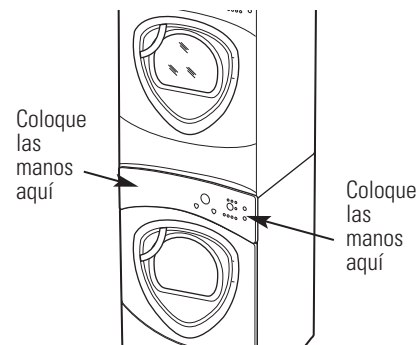


5 FINALICE LA INSTALACIÓN

- Consulte las Instrucciones de instalación de la lavadora para completar la instalación de la lavadora.
- Consulte las Instrucciones de instalación de la secadora para completar la instalación de la secadora.
- Con cuidado deslice o desplace la lavadora y secadora apiladas a su lugar. Utilice almohadillas u otro dispositivo para ayudar a deslizar los artefactos y para proteger el piso.

⚠ ADVERTENCIA:

Lesiones personales potenciales. No empuje la secadora una vez que se haya instalado sobre la lavadora. Si empuja la secadora puede pellizcarse los dedos.

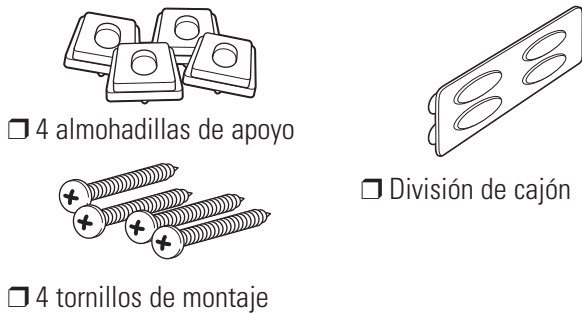


Instrucciones de instalación

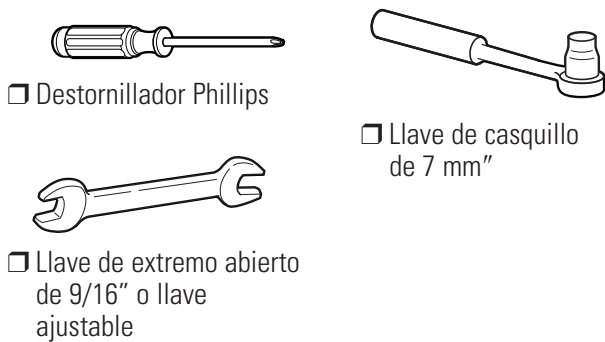
CÓMO INSTALAR EL PEDESTAL (si así lo desea)

⚠ ADVERTENCIA: Debido al peso y tamaño de estos productos, y para reducir el riesgo de lesiones personales o daños al producto, **SE NECESITAN DOS PERSONAS PARA REALIZAR UNA INSTALACIÓN CORRECTA.**

CONTENIDOS DEL KIT



HERRAMIENTAS NECESARIAS



PREPARACIÓN PARA LA INSTALACIÓN

Quite el envoltorio.

La división de cajón se encuentra adherida en la parte superior de la caja de embalaje. Quite la división y consérvela para la instalación final.

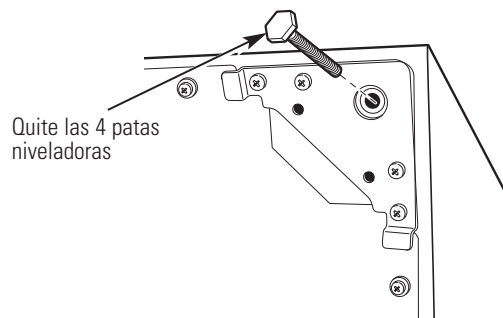
Aplaste el cartón del producto para poder utilizarlo para colocar la lavadora o secadora de costado. Siga usando el cartón para proteger el piso frente al lugar de instalación.

1 CÓMO QUITAR LAS PATAS NIVELADORAS

A Con cuidado coloque la lavadora o secadora de costado para tener acceso a las patas niveladoras ubicadas en la parte inferior del artefacto.

IMPORTANTE: ¡No apoye la lavadora o la secadora sobre la parte trasera! No quite los pernos de embalaje ubicados en la parte trasera de la lavadora. Los pernos deben conservarse en su lugar hasta que la lavadora vuelva a la posición vertical.

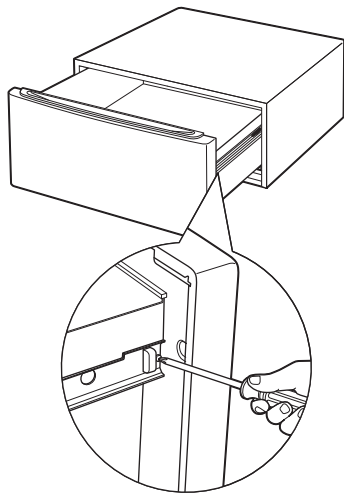
B Utilice una llave de extremo abierto para quitar las patas niveladoras de la lavadora o secadora.



Instrucciones de instalación

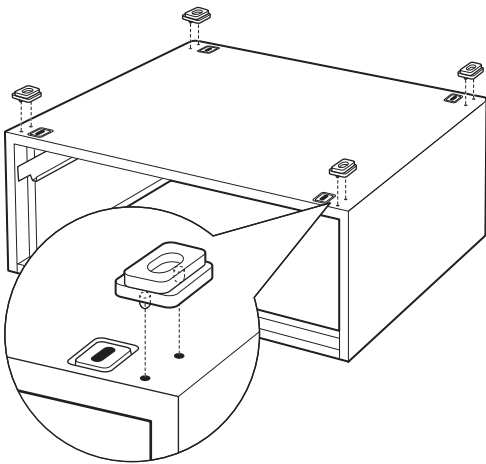
2 PREPARE EL PEDESTAL

- A** Abra el cajón hasta el máximo.
- B** Quite los tornillos de los deslizadores del cajón. Quite el cajón de la base y deje a un costado.



SÓLO PARA SECADORAS:

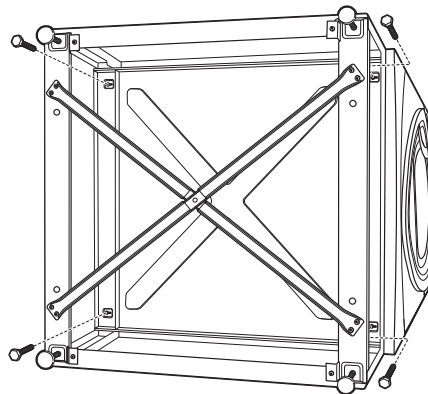
- C** Ubique las 4 almohadillas de apoyo en el paquete de piezas. Cada almohadilla cuenta con 2 protuberancias que encastran en los orificios de la parte superior del pedestal. Presione las almohadillas de goma dentro de cada grupo de orificios de la parte superior del pedestal como puede verse.



NOTA: Las almohadillas de apoyo deben instalarse sólo en la secadora. **NO INSTALE ESTAS ALMOHADILLAS EN EL PEDESTAL DE LA LAVADORA.**

3 CÓMO INSTALAR EL PEDESTAL EN LA LAVADORA O SECADORA

- A** Coloque el pedestal contra la parte inferior de la unidad. Controle que el frente del cajón se encuentre en el frente de la lavadora.
- B** Alinee los orificios del pedestal con los orificios de la parte inferior de la unidad. Utilice un destornillador Phillips para instalar los 4 pernos a través del pedestal y dentro de la unidad; no ajuste.



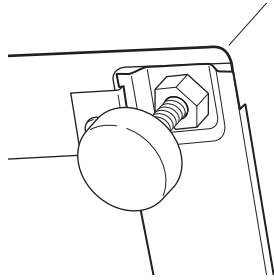
- C** Deslice el pedestal hacia la unidad, hasta que se encuentre alineada de frente a parte trasera. Utilice una llave de casquillo de 7 mm para ajustar bien los pernos.

Instrucciones de instalación

CÓMO INSTALAR EL PEDESTAL (si así lo desea) (cont.)

4 CÓMO NIVELAR LA LAVADORA O SECADORA

- A** Coloque la lavadora o secadora en posición vertical. Colóquela cerca de su ubicación definitiva.
- B** Verifique que la lavadora o secadora estén niveladas colocando un nivel en la parte superior. Controle de lado a lado y del frente a la parte trasera.
- C** Utilice una llave de extremo abierto para ajustar las patas. Ajuste la tuerca de fijación contra la parte inferior del pedestal.



NOTA: Para minimizar la vibración, las tuercas de fijación deben estar bien ajustadas.

6 QUITE LOS TORNILLOS DE EMPAQUE

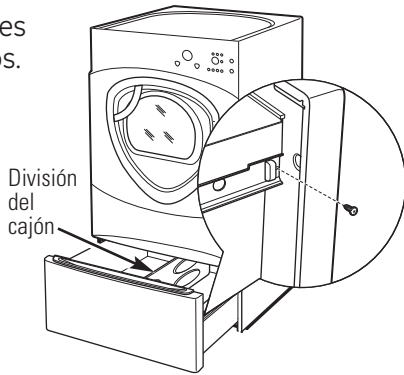
Quite los 4 tornillos de embalaje ubicados en la parte trasera de la lavadora.

7 FINALICE LA INSTALACIÓN

Consulte las Instrucciones de instalación de la lavadora o secadora para finalizar la instalación.

5 CÓMO VOLVER A INSTALAR EL CAJÓN

- A** Verifique que los deslizadores estén cerrados.
- B** Abra el cajón. Alinee los soportes del cajón con los deslizadores de cada lado.
- C** Vuelva a instalar los tornillos originales dentro de cada deslizador. Ajuste los dos tornillos.
- D** Abra el cajón por completo. Deslice la división del cajón dentro de las ranuras del centro del cajón. El cajón debe deslizarse suavemente cuando se lo cierra.



Antes de llamar al servicio de asistencia técnica...



Consejos para la solución de problemas
¡Ahorre tiempo y dinero! Consulte primero las tablas de las páginas siguientes y quizás no necesite llamar al servicio de asistencia técnica..

Instrucciones de seguridad

Instrucciones de funcionamiento

Consejos para la solución de problemas

Soporte al consumidor

Problema	Causas posibles	Solución
La secadora se mueve o hace ruido	El movimiento/ruido es normal. La secadora puede estar colocada en un lugar desnivelado	<ul style="list-style-type: none"> Desplace la secadora a un lugar nivelado, o ajuste las patas niveladoras según sea necesario.
Las prendas tardan mucho en secarse	Conducto inadecuado u obstruido	<ul style="list-style-type: none"> Controle las Instrucciones de instalación para verificar que la ventilación de la secadora sea la correcta. Verifique que el conducto se encuentre limpio, libre de abolladuras y sin obstrucciones. Controle que el regulador de tiro externo de pared funcione bien.
	Clasificación inadecuada	<ul style="list-style-type: none"> Separe prendas pesadas de livianas (generalmente, una carga bien clasificada para la lavadora es una carga bien clasificada para la secadora).
	Cargas grandes de telas pesadas (como toallas de playa)	<ul style="list-style-type: none"> Las telas grandes y pesadas contienen más humedad y tardan más en secarse. Separe las telas grandes y pesadas en cargas más pequeñas para acelerar el tiempo de secado.
	Los controles están mal configurados	<ul style="list-style-type: none"> Ajuste las configuraciones de control a la carga que esté secando.
	El filtro de pelusas está lleno	<ul style="list-style-type: none"> Limpie el filtro de pelusas antes de cada carga.
	Fusible quemado o disyuntor accionado	<ul style="list-style-type: none"> Cambie los fusibles o reconfigure los disyuntores. Ya que la mayoría de las secadoras utilizan 2 fusibles/disyuntores, asegúrese de que ambos estén funcionando.
	Carga excesiva/cargas combinadas	<ul style="list-style-type: none"> No coloque más de una carga en la secadora por vez.
	Poca carga	<ul style="list-style-type: none"> Si va secar sólo una o dos prendas, agregue algunas más para asegurar un secado correcto.
Las teclas de control no responden	Los controles se accionaron accidentalmente en el modo de servicio	<ul style="list-style-type: none"> Presione START/PAUSE (inicio/pausa).
	Los controles se accionaron accidentalmente en el modo de bloqueo	<ul style="list-style-type: none"> Sostenga el botón LOCK (bloqueo) durante 3 segundos para desbloquear la secadora.
	Los controles efectuaron una operación incorrecta	<ul style="list-style-type: none"> Reconfigure el disyuntor.
La secadora no se enciende	El panel de control está "dormido"	<ul style="list-style-type: none"> Esto es normal. Presione POWER (encendido) para activar el panel de control.
	La secadora está desenchufada	<ul style="list-style-type: none"> Verifique que el enchufe de la secadora esté bien colocado en el tomacorriente.
	Fusible quemado/disyuntor accionado	<ul style="list-style-type: none"> Verifique la caja de fusibles/disyuntor del edificio y cambie el fusible o reconfigure el disyuntor. NOTA: Las secadoras eléctricas utilizan dos fusibles o disyuntores.
	La secadora se puso en pausa accidentalmente cuando se iniciaba Delay Start (inicio retardado)	<ul style="list-style-type: none"> Si la luz del botón START/PAUSE destella, la secadora se encuentra en pausa. Presione START/PAUSE para volver a iniciar la cuenta regresiva.

Problema	Causas posibles	Solución
<i>Se seleccionó el nivel de secado DRY (seco) pero la carga sigue húmeda</i>	La carga incluye una mezcla de telas pesadas y livianas	<ul style="list-style-type: none"> • Cuando combine telas pesadas y livianas, seleccione MORE DRY (más seco).
	El sistema de salida se encuentra bloqueado	<ul style="list-style-type: none"> • Inspeccione y limpie el sistema de salida.
<i>No se ven números durante el ciclo, sólo luces</i>	La secadora monitorea continuamente la cantidad de humedad de las ropas	<ul style="list-style-type: none"> • Esto es normal. Cuando la secadora detecta un nivel bajo de humedad en la carga, ésta mostrará el tiempo restante de secado.
<i>El tiempo restante saltó a un número más bajo</i>	El tiempo estimado puede cambiar cuando se está secando una carga más pequeña de lo normal	<ul style="list-style-type: none"> • Esto es normal.
<i>No se puede hacer una selección y la secadora emite dos pitidos</i>	El nivel de secado, la temperatura o la opción que trata de seleccionar es incompatible con el ciclo de secado seleccionado	<ul style="list-style-type: none"> • Esto es normal.
<i>La secadora funciona pero se ve 00 en el tiempo restante</i>	Se seleccionó la opción EXTEND TUMBLE (secado prolongado)	<ul style="list-style-type: none"> • Esto es normal. Durante el secado prolongado, no puede verse el tiempo restante. La opción de secado prolongado dura aproximadamente 20 minutos.
<i>Clean Lint Filter (mensaje)</i>	Se activó el botón POWER (encendido)	<ul style="list-style-type: none"> • Presione START/PAUSE (inicio/pausa) para comenzar un ciclo de secado y el mensaje desaparecerá.
<i>La secadora no calienta</i>	Fusible quemado/disyuntor accionado; la secadora gira pero no calienta	<ul style="list-style-type: none"> • Verifique la caja de fusibles/disyuntor del edificio y cambie ambos fusibles o reconfigure ambos disyuntores. La secadora puede girar si sólo se ha quemado un fusible o se ha accionado un disyuntor.
	El suministro de gas no funciona	<ul style="list-style-type: none"> • Verifique que la boca de gas de la secadora y la boca principal se encuentren abiertas.
	El tanque de suministro de gas PL está vacío o ha habido una interrupción del servicio de gas natural (en modelos a gas)	<ul style="list-style-type: none"> • Rellene o cambie el tanque. La secadora debe calentarse cuando se reestablezca el servicio.
<i>Tiempos de secado desiguales</i>	Tipo de calor	<ul style="list-style-type: none"> • El tiempo de secado cambia de acuerdo con el tipo de calor utilizado. Si recientemente ha cambiado de una secadora eléctrica a una a gas (natural o PL), o viceversa, los tiempos de secado pueden cambiar.
	Tipo de carga y condiciones de secado	<ul style="list-style-type: none"> • El tamaño de carga, tipos de telas, humedad de las prendas y la longitud y condición del sistema de salida afecta los tiempos de secado.
<i>Brillo en la parte trasera del tambor</i>	Calentadores detrás del tambor	<ul style="list-style-type: none"> • Esto es normal. En ciertas condiciones de secado e iluminación ambiente, el brillo de los calentadores puede verse en la parte trasera del tambor.
<i>Las prendas siguen húmedas y la secadora se apagó después de un período corto</i>	La puerta se abrió en la mitad del ciclo. Luego se quitó la carga de la secadora y se colocó una nueva carga sin seleccionar un nuevo ciclo	<ul style="list-style-type: none"> • Debe seleccionarse un ciclo de secado cada vez que se ingresa una carga.
	Carga pequeña	<ul style="list-style-type: none"> • Cuando se sequen 3 prendas o menos, seleccione SPEED DRY (secado rápido) o TIMED DRY (secado temporizado).
	La carga ya estaba seca con excepción de los cuellos y las cinturas	<ul style="list-style-type: none"> • Seleccione SPEED DRY o TIMED DRY para secar cuellos y cinturas. En el futuro, cuando seque una carga con cuellos y cinturas, seleccione MORE DRY.
	La secadora está desnivelada	<ul style="list-style-type: none"> • Desplace la secadora a un lugar nivelado o ajuste las patas niveladoras según sea necesario.

Antes de llamar al servicio de asistencia técnica...



Consejos para la solución de problemas

Instrucciones de seguridad

Instrucciones de funcionamiento

Consejos para la solución de problemas

Soporte al consumidor

Problema	Causas posibles	Solución
Las prendas están arrugadas	Secado excesivo	<ul style="list-style-type: none"> • Seleccione un tiempo de secado más corto. • Quite las prendas cuando todavía tienen una pequeña cantidad de humedad. Seleccione una configuración LESS DRY (menor seco) o DAMP (húmedo).
	Se han dejado las prendas en la secadora después de finalizado el ciclo	<ul style="list-style-type: none"> • Retire la ropa cuando finalice el ciclo y dóblela o cuélguela inmediatamente, o utilice la opción EXTEND TUMBLE (secado prolongado).
Las prendas encogen	Carga excesiva	<ul style="list-style-type: none"> • Divida las cargas más grandes en cargas más pequeñas.
	Algunas telas encogen naturalmente cuando se las lava. Otras pueden lavarse sin problemas, pero encogerán en la secadora	<ul style="list-style-type: none"> • Para que no encojan, siga las instrucciones de cuidado de la prenda al pie de la letra. • Algunas prendas pueden plancharse y volver a su forma original después del secado. • Si tiene miedo de que una prenda determinada encoja, no la lave a máquina ni la seque con secadora.
Manchas grasosas en la ropa	Uso indebido del suavizante	<ul style="list-style-type: none"> • Siga las instrucciones del paquete de suavizante.
	Secar prendas sucias con limpias	<ul style="list-style-type: none"> • Use su secadora sólo para secar ropa limpia. La ropa sucia puede manchar prendas y la secadora.
Pelusas en la ropa	La ropa no estaba completamente limpia	<ul style="list-style-type: none"> • A veces las manchas no se ven cuando la ropa está mojada pero <i>aparecen</i> después del secado. Utilice procedimiento de lavado adecuados antes del secado.
	El filtro de pelusas está lleno	<ul style="list-style-type: none"> • Limpie el filtro de pelusas antes de cada carga.
	Clasificación inadecuada	<ul style="list-style-type: none"> • Separe las telas que producen pelusas (como el chenille) de las que atraen pelusas (como el corderoy).
	La electricidad estática puede atraer pelusas	<ul style="list-style-type: none"> • Ver sugerencias en esta sección bajo ESTÁTICA.
	Carga excesiva	<ul style="list-style-type: none"> • Divida las cargas más grandes en cargas más pequeñas.
Se produce estática	Se ha dejado en los bolsillos papel, pañuelos de papel, etc.	<ul style="list-style-type: none"> • Vacíe todos los bolsillos antes de lavar la ropa.
	No se utilizó suavizante	<ul style="list-style-type: none"> • Use suavizante de ropa. • El acondicionador de telas Bounce® en hojas ha sido aprobado para su uso en todas las secadoras GE cuando se utiliza de acuerdo con las instrucciones del fabricante.
	Secado excesivo	<ul style="list-style-type: none"> • Use suavizante de ropa. • Ajuste la configuración a LESS DRY o DAMP.
Los cuellos y las cinturas todavía están húmedos al finalizar el ciclo	Las telas sintéticas, el planchado permanente y las mezclas pueden provocar estática	<ul style="list-style-type: none"> • Use suavizante de ropa.
	El monitor de secado detecta que la mayoría de las prendas se encuentran secas	<ul style="list-style-type: none"> • Seleccione SPEED DRY (secado rápido) o TIMED DRY (secado temporizado) para secar cuellos y cinturas. En el futuro, cuando seque una carga con cuellos y cinturas, seleccione MORE DRY (más seco).
Pequeña variación del color metálico	Esto es normal	<ul style="list-style-type: none"> • Debido a las propiedades metálicas de la pintura utilizada con este producto único, pueden ocurrir pequeñas variaciones de color debido ángulos de visualización y condiciones de iluminación.

Problema	Causas posibles	Solución
<i>Durante un ciclo de vapor no pueden verse las prendas porque la puerta está muy cubierta por vapor</i>	El vapor se condensa en la puerta interna	<ul style="list-style-type: none"> • Esto es normal.
<i>Se ve agua dentro de la puerta y sobre el filtro de pelusa cuando se abre la puerta después del ciclo de vapor</i>	El vapor se condensa sobre estas superficies	<ul style="list-style-type: none"> • Esto es normal.
<i>Pequeñas áreas de las prendas se encuentran húmedas después del ciclo de vapor</i>	El vapor se condensa en el tambor interno	<ul style="list-style-type: none"> • Seleccione un ciclo más corto.
	El ciclo o tiempo del ciclo seleccionado es muy largo para el tamaño de la carga	<ul style="list-style-type: none"> • Reduzca manualmente el tiempo del ciclo.
<i>Hay una pequeña cantidad de agua sobre el piso frente a la secadora</i>	Tamaño de carga inadecuado para el ciclo de vapor seleccionado, el vapor excedente se condensa dentro del gabinete y se escapa	<ul style="list-style-type: none"> • Seleccione un ciclo más corto. Reduzca manualmente el tiempo del ciclo.
<i>Hay agua en el piso en la parte trasera de la secadora</i>	La conexión de manguera de agua a la válvula se encuentra floja	<ul style="list-style-type: none"> • Ajuste la conexión.
	La manguera no cuenta con la arandela de goma en la conexión con la válvula	<ul style="list-style-type: none"> • Instale la arandela de goma provista con la manguera.
<i>La secadora hace ruido a agua</i>	La válvula de agua está abierta llenando el generador de vapor	<ul style="list-style-type: none"> • Esto es normal.
	El generador de vapor está suministrando vapor al tambor	<ul style="list-style-type: none"> • Esto es normal.
<i>Cae agua de la puerta cuando se la abre después de un ciclo de vapor</i>	El vapor se condensa en la puerta interna	<ul style="list-style-type: none"> • Esto es normal.
<i>No puede verse vapor al comienzo del ciclo</i>	El vapor se libera en un momento diferente en el ciclo	<ul style="list-style-type: none"> • Esto es normal.
<i>Las prendas siguen arrugadas después del ciclo de vapor</i>	Demasiadas prendas	<ul style="list-style-type: none"> • Cargue menos prendas; incremente el tiempo manualmente.
<i>La secadora continúa la rotación después de que la pantalla dice Complete (finalizado)</i>	Se seleccionó la rotación extendida	<ul style="list-style-type: none"> • Asegúrese de que la opción de rotación extendida no esté seleccionada.

Notas.

Soporte al consumidor	Consejos para la solución de problemas	Instrucciones de funcionamiento	Instrucciones de seguridad
------------------------------	---	--	-----------------------------------

Garantía de la secadora GE. (Para clientes de Canadá)



Todos los servicios técnicos de garantía son provistos por nuestros Centros de Servicio de Fábrica, o un técnico autorizado. Para servicio técnico, llame al 1.800.561.3344.

Tenga el número de serie y de modelo a mano cuando llame para solicitar un servicio técnico.

Por el período de: Reemplazaremos:

Un año

Desde la fecha de compra original

Cualquier pieza de la secadora que falle debido a un defecto de los materiales o mano de obra. Durante esta **garantía limitada de un año**, GE también ofrece, **en forma gratuita**, toda la mano de obra y los costos de servicio para reemplazar la pieza defectuosa.

Segundo año

Desde la fecha de compra original

Cualquier pieza de la secadora que falle debido a un defecto de los materiales o mano de obra. Durante esta **garantía limitada adicional de un año**, usted será responsable de cualquier clase de costos de mano de obra o de servicios relacionados.

Del segundo al quinto año

Desde la fecha de compra original

El tambor de secado extra-grande o de súper capacidad y placa electrónica principal de control si alguna de estas piezas fallara debido a un defecto de materiales o mano de obra. Durante esta **garantía limitada adicional de tres años** usted será responsable de cualquier clase de costos de mano de obra o de servicios relacionados.

No se encuentra cubierto (en Canadá):

- Visitas a su hogar para enseñarle a usar el producto.
- Instalación, entrega o mantenimiento inadecuados.
- Fallas del producto debido a abuso, uso indebido, uso diferente para el que fue diseñado, o uso comercial.
- Recambio de la bombilla de luz después de su vida útil esperada.
- Reemplazo de fusibles domésticos o la reconfiguración de los interruptores de circuito.
- Daños al producto provocados por accidentes, incendios, inundaciones o fuerza mayor.
- Daños incidentales o resultantes provocados por posibles defectos en este artefacto.
- Daños provocados después de la entrega.
- Producto no accesible para prestar el servicio técnico solicitado.

EXCLUSIÓN DE GARANTÍAS IMPLÍCITAS—Su único y exclusivo recurso es la reparación del producto como se establece en la presente Garantía Limitada. Las garantías implícitas, incluyendo garantías de comerciabilidad y aptitud para un objetivo particular, se encuentran limitadas a un año o al período más corto permitido por la ley.

Esta garantía se extiende al comprador original y cualquier dueño posterior para productos adquiridos en Canadá para uso doméstico dentro de Canadá. El servicio de garantía en el hogar será provisto en áreas donde se encuentre disponible y Mabe lo considere razonable.

EL GARANTE NO ES RESPONSABLE DE LOS DAÑOS CONSECUENTES.

Garante: MABE CANADA INC.

Instrucciones de seguridad

Instrucciones de funcionamiento

Consejos para la solución de problemas

Soporte al consumidor

Garantía de la secadora GE. (Para clientes de Estados Unidos)



Todos los servicios de garantía se ofrecen a través de nuestros centros de asistencia técnica o un técnico autorizado de Customer Care®. Para programar servicio de asistencia técnica, en línea, visite la página ge.com o llame al 800.GE.CARES (1.800.432.2737). Cuando llame para solicitar servicio, por favor tenga a mano el número de serie y el número de modelo.

Engrape el recibo aquí.
Se necesita el comprobante con la fecha de compra original para que la garantía cubra los servicios.

Instrucciones de seguridad

Instrucciones de funcionamiento

Consejos para la solución de problemas

Soporte al consumidor

Período:	Se sustituirá:
Un año Desde la fecha de compra original	Cualquier pieza de la secadora que falle debido a un defecto de los materiales o mano de obra. Durante esta garantía limitada de un año , GE también ofrece, en forma gratuita , toda la mano de obra y los costos de servicio para reemplazar la pieza defectuosa.
Segundo año Desde la fecha de compra original	Cualquier pieza de la secadora que falle debido a un defecto de los materiales o mano de obra. Durante esta garantía limitada adicional de un año , usted será responsable de cualquier clase de costos de mano de obra o de servicios relacionados.
Del segundo al quinto año Desde la fecha de compra original	El tambor de secado extra grande o de súper capacidad y la placa electrónica principal de control si alguna de estas piezas fallara debido a un defecto de materiales o mano de obra. Durante esta garantía limitada adicional de tres años , usted será responsable de cualquier clase de costos de mano de obra o de servicios relacionados.

Exclusiones de la garantía:

- Visitas de servicio a domicilio para mostrarle cómo utilizar el producto.
- Instalación, envío o mantenimiento incorrectos.
- Fallas del producto por manipulación, uso incorrecto o distinto al destinado o previsto comercialmente.
- Recambio de la bombilla de luz después de su vida útil esperada.
- Sustitución de los fusibles de la vivienda o restablecimiento de los interruptores.
- Daños causados por accidentes, incendios, inundaciones o fenómenos naturales.
- Daños emergentes o fortuitos causados por posibles defectos del electrodoméstico.
- Daños tras la entrega.
- Producto no accesible para facilitar el servicio requerido.

EXCLUSIÓN DE GARANTÍAS IMPLÍCITAS—Su único y exclusivo derecho es la reparación del producto, tal y como se indica en esta Garantía limitada. Cualquier garantía implícita, incluyendo las garantías implícitas de comerciabilidad o adecuación para un fin determinado, están limitadas a un año o el período de tiempo más breve permitido por la ley.

Esta garantía se extiende al comprador original y cualquier comprador posterior de productos comprados para uso residencial dentro des Estados Unidos. Si el producto está situado en un área que no dispone de servicio por parte de un proveedor de servicio autorizado de GE, podría tener que hacerse cargo de los costes de envío o bien podría solicitársele que lleve el producto a una centro de servicio de GE autorizado para realizar la reparación. En Alaska, la garantía excluye el costo de envío o las visitas de servicio a su casa.

Algunos estados no permiten la exclusión o las limitaciones de daños incidentales o consecuenciales. Esta garantía da derechos legales específicos, y usted podría tener otros derechos que variarán de estado a estado. Para saber cuáles son sus derechos legales, consulte a la oficina de asuntos del consumidor local o la oficina del Procurador (Attorney General) en su localidad.

Garante: General Electric Company. Louisville, KY 40225

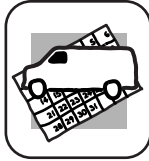
Apoyo al cliente.



Sitio Web de GE Appliances

En los EE.UU.: **ge.com**

¿Tiene una consulta o necesita ayuda con su aparato? ¡Visite el Sitio Web de GE Appliances las 24 horas al día, todos los días del año! Para una mayor comodidad y un servicio más rápido, ahora usted puede bajar los Manuales del Propietario, solicitar piezas o programar atención on-line. **En Canadá: www.geappliances.ca**



Programe una reparación

En los EE.UU.: **ge.com**

El servicio experto de reparación de GE está sólo a un paso de su hogar. ¡Programe on-line el servicio técnico a su conveniencia cualquier día del año! O llame al 800.GE.CARES (800.432.2737) durante horario normal de trabajo.

En Canadá, llame al 1.800.561.3344



Estudio de diseño para la vida real

En los EE.UU.: **ge.com**

GE apoya el concepto de Diseño Universal: Productos, servicios y ambientes que pueden ser utilizados por personas de todas las edades, tamaños y capacidades. Reconocemos la necesidad de la creación de diseños para una amplia gama de capacidades y limitaciones físicas y mentales. Para más detalles sobre las aplicaciones de Diseño Universal de GE, incluyendo ideas de diseño de cocina para personas con discapacidades, visite el Sitio Web hoy mismo. Para las personas con problemas auditivos, llame al 800.TDD.GEAC (800.833.4322).

En Canadá, comuníquese con: Manager, Consumer Relations, Mabe Canada Inc.
Suite 310, 1 Factory Lane
Moncton, N.B. E1C 9M3

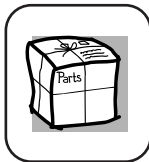


Garantías extendidas

En los EE.UU.: **ge.com**

Adquiera una garantía extendida de GE y averigüe sobre descuentos especiales disponibles durante la vigencia de su garantía. Usted puede adquirirla on-line en cualquier momento, o llamar al 800.626.2224 en horario normal de trabajo. El Servicio Doméstico al Consumidor de GE también lo ayudará después de que su garantía haya expirado.

En Canadá, llame al 1.888.261.2133



Piezas y accesorios

En los EE.UU.: **ge.com**

Las personas calificadas para arreglar sus propios aparatos pueden recibir las piezas o accesorios directamente en sus hogares (se aceptan las tarjetas VISA, MasterCard y Discover). Solicítelos on-line hoy mismo, las 24 horas del día o por teléfono al 800.626.2002 en horario normal de trabajo.

Las instrucciones incluidas en este manual cubren los procedimientos a realizar por cualquier usuario. Personal de servicio técnico calificado debe efectuar otra clase de arreglos. Debe tenerse mucho cuidado, porque los arreglos inadecuados pueden provocar un funcionamiento poco seguro.

Los clientes **de Canadá** deben consultar las páginas amarillas para encontrar el centro de servicio Mabe más cercano, o deben llamar al 1.800.661.1616.



Comuníquese con nosotros

En los EE.UU.: **ge.com**

Si no se encuentra satisfecho con el servicio que recibe de GE, comuníquese con nosotros a través del Sitio Web con todos los detalles, incluyendo número de teléfono, o escríbanos a:

General Manager, Customer Relations
GE Appliances, Appliance Park
Louisville, KY 40225

En Canadá: www.geappliances.ca, o escriba a:

Director, Consumer Relations, Mabe Canada Inc.
Suite 310, 1 Factory Lane
Moncton, N.B. E1C 9M3



Registre su aparato

En los EE.UU.: **ge.com**

Registre su nuevo aparato on-line, ¡como le resulte más conveniente! Una inscripción de producto oportuna mejorará y acelerará las comunicaciones y el servicio según los términos de la presente garantía, si surgiera la necesidad. Usted también puede enviar por correo la tarjeta de inscripción pre-impresa incluida con el material de empaque. **En Canadá: www.geappliances.ca**

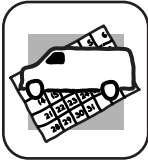
Consumer Support.



GE Appliances Website

In the U.S.: ge.com

Have a question or need assistance with your appliance? Try the GE Appliances Website 24 hours a day, any day of the year! For greater convenience and faster service, you can now download Owner's Manuals, order parts or even schedule service on-line. **In Canada: www.geappliances.ca**



Schedule Service

In the U.S.: ge.com

Expert GE repair service is only one step away from your door. Get on-line and schedule your service at your convenience any day of the year! Or call 800.GE.CARES (800.432.2737) during normal business hours.

In Canada, call 1.800.561.3344



Real Life Design Studio

In the U.S.: ge.com

GE supports the Universal Design concept—products, services and environments that can be used by people of all ages, sizes and capabilities. We recognize the need to design for a wide range of physical and mental abilities and impairments. For details of GE's Universal Design applications, including kitchen design ideas for people with disabilities, check out our Website today. For the hearing impaired, please call 800.TDD.GEAC (800.833.4322).

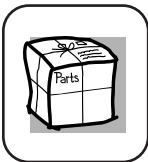
In Canada, contact: Manager, Consumer Relations, Mabe Canada Inc.
Suite 310, 1 Factory Lane
Moncton, N.B. E1C 9M3



Extended Warranties

In the U.S.: ge.com

Purchase a GE extended warranty and learn about special discounts that are available while your warranty is still in effect. You can purchase it on-line anytime, or call 800.626.2224 during normal business hours. GE Consumer Home Services will still be there after your warranty expires. **In Canada, call 1.888.261.2133**



Parts and Accessories

In the U.S.: ge.com

Individuals qualified to service their own appliances can have parts or accessories sent directly to their homes (VISA, MasterCard and Discover cards are accepted). Order on-line today, 24 hours every day or by phone at 800.626.2002 during normal business hours.

Instructions contained in this manual cover procedures to be performed by any user. Other servicing generally should be referred to qualified service personnel. Caution must be exercised, since improper servicing may cause unsafe operation.

Customers **in Canada** should consult the yellow pages for the nearest Mabe service center, or call 1.800.661.1616.



Contact Us

In the U.S.: ge.com

If you are not satisfied with the service you receive from GE, contact us on our Website with all the details including your phone number, or write to:

General Manager, Customer Relations
GE Appliances, Appliance Park
Louisville, KY 40225

In Canada: www.geappliances.ca, or write to:

Director, Consumer Relations, Mabe Canada Inc.
Suite 310, 1 Factory Lane
Moncton, N.B. E1C 9M3



Register Your Appliance

In the U.S.: ge.com

Register your new appliance on-line—at your convenience! Timely product registration will allow for enhanced communication and prompt service under the terms of your warranty, should the need arise. You may also mail in the pre-printed registration card included in the packing material. **In Canada: www.geappliances.ca**