



# Room Air Conditioners

*Safety Instructions* .....2, 3

*Operating Instructions* .....4, 5

*Care and Cleaning*

Air Filter .....5

Grille and Case .....5

Outdoor Coils .....5

*Installation Instructions*

Through-the-Wall  
Installation—Optional .....12

Window Installation .....7-11

*Troubleshooting Tips* .....13-14

*Consumer Support*

Consumer Support .....16

Warranty .....15

**Owner's Manual and  
Installation Instructions**

AEE08  
AEE12

**Write the model and serial numbers here:**

**Model #** \_\_\_\_\_

**Serial #** \_\_\_\_\_

Find these numbers on a label on the side of the air conditioner.

# IMPORTANT SAFETY INFORMATION. READ ALL INSTRUCTIONS BEFORE USING.

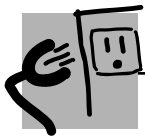
## ⚠ WARNING!

For your safety, the information in this manual must be followed to minimize the risk of fire, electric shock or personal injury.



### SAFETY PRECAUTIONS

- Use this appliance only for its intended purpose as described in this Owner's Manual.
  - This air conditioner must be properly installed in accordance with the Installation Instructions before it is used.
  - Never unplug your air conditioner by pulling on the power cord. Always grip plug firmly and pull straight out from the receptacle.
  - Replace immediately all electric service cords that have become frayed or otherwise damaged. A damaged power supply cord must be replaced with a new power supply cord obtained from the manufacturer and not repaired. Do not use a cord that shows cracks or abrasion damage along its length or at either the plug or connector end.
  - If the receptacle does not match the plug, the receptacle must be changed out by a qualified electrician.
  - Turn the unit **OFF** and unplug your air conditioner before making any repairs or cleaning.
- NOTE:** We strongly recommend that any servicing be performed by a qualified individual.
- For your safety...do not store or use combustible materials, gasoline or other flammable vapors or liquids in the vicinity of this or any other appliance.
  - All air conditioners contain refrigerants, which under federal law must be removed prior to product disposal. If you are getting rid of an old product with refrigerants, check with the company handling disposal about what to do.



### HOW TO CONNECT ELECTRICITY

*Do not, under any circumstances, cut or remove the third (ground) prong from the power cord. For personal safety, this appliance must be properly grounded.*

#### **DO NOT use an adapter plug with this appliance.**

The power cord of this appliance is equipped with a 3-prong (grounding) plug which mates with a standard 3-prong (grounding) wall outlet to minimize the possibility of electric shock hazard from this appliance.

Power cord includes a current interrupter device. A test and reset button is provided on the plug case. The device should be tested on a periodic basis by first pressing the **TEST** button and then the **RESET** button. If the **TEST** button does not trip or if the **RESET** button will not stay engaged, discontinue use of the air conditioner and contact a qualified service technician.

Have the wall outlet and circuit checked by a qualified electrician to make sure the outlet is properly grounded.

Where a 2-prong wall outlet is encountered, it is your personal responsibility and obligation to have it replaced with a properly grounded 3-prong wall outlet.

The air conditioner should always be plugged into its own individual electrical outlet which has a voltage rating that matches the rating plate.

This provides the best performance and also prevents overloading house wiring circuits which could cause a fire hazard from overheated wires.

See the Installation Instructions, *Electrical Requirements* section for specific electrical connection requirements.

## **⚠ WARNING!**



### *EXTENSION CORDS—115-Volt models only*

*Because of potential safety hazards under certain conditions, we strongly recommend against the use of an extension cord.*

However, if you must use an extension cord, it is absolutely necessary that it be a UL-listed, 14 gauge, 3-wire grounding type appliance extension cord having a grounding type plug and outlet and that the electrical rating of the cord be 15 amperes (minimum) and 125 volts.

## **⚠ CAUTION:**

**DO NOT use an extension cord with any of the 230/208 volt models.**

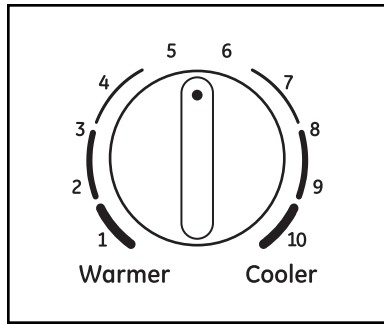


*READ AND FOLLOW THIS SAFETY INFORMATION CAREFULLY.*

**SAVE THESE INSTRUCTIONS**

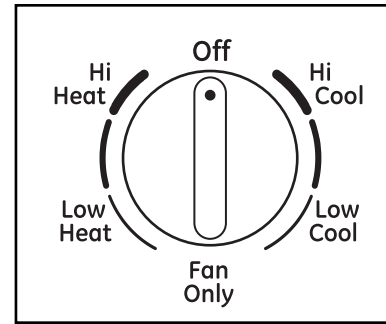
## About the controls on the air conditioner.

Features and appearance will vary.



### TEMP CONTROL

1



### MODE CONTROL

2



## Controls

### 1 Temp Control

The temp control is used to maintain the room temperature. The compressor will cycle on and off to keep the room at the same level of comfort. Turn the knob clockwise to **Cooler** (blue) and the indoor air will become cooler. Turn the knob counterclockwise to **Warmer** (red) and the indoor air will become warmer.

### 2 Mode Control

**Hi Cool** and **Low Cool** provide cooling with different fan speeds.

**Hi Heat** and **Low Heat** provide heating with different fan speeds.

**Fan Only** setting provides air circulation and filtering without cooling or heating.

**NOTE:** If you move the mode control from a cool setting to **Off**, a fan setting or a heat setting, wait at least 3 minutes before switching back to a cool setting.

### Cooling Descriptions

**For Normal Cooling**—Select **Hi Cool** or **Low Cool** with the temp control at midpoint.

**For Maximum Cooling**—Select **Hi Cool** with the temp control turned clockwise as far as possible.

**For Quieter & Nighttime Cooling**—Select **Low Cool** with the temp control at midpoint.

### Heating Descriptions

**For Normal Heating**—Select **Hi Heat** or **Low Heat** with the temp control at midpoint.

**For Maximum Heating**—Select **Hi Heat** with the temp control turned counterclockwise as far as possible.

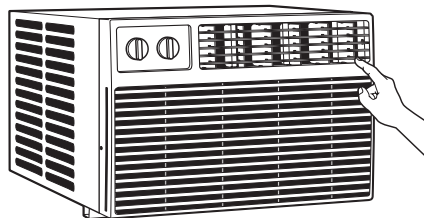
**For Quieter & Nighttime Heating**—Select **Low Heat** with the temp control at midpoint.

*Additional important information.*

**Air Direction**

Use the lever to adjust the air direction left and right only.

Fingertip pressure on the horizontal louvers adjusts the air direction up or down.



**Care and cleaning of the air conditioner.**

**Grille and Case**

Turn the air conditioner off and remove the plug from the wall outlet before cleaning.

To clean, use water and a mild detergent. Do not use bleach or abrasives.

**Air Filter**

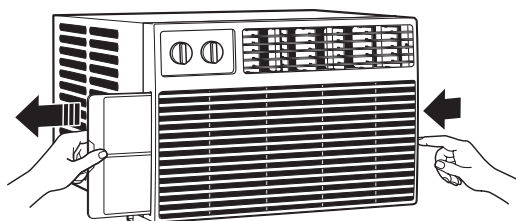
The air filter behind the front grille should be checked and cleaned at least every 30 days or more often if necessary.

**To remove:**

Push on one side of the filter edge and pull it out the other side.

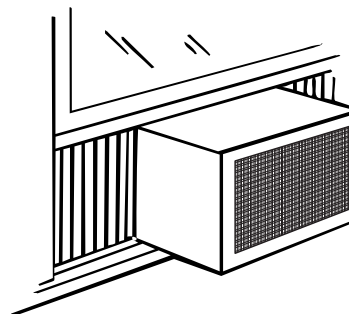
Clean the filter with warm, soapy water. Rinse and let the filter dry before replacing it. Do not clean the filter in a dishwasher.

**⚠ CAUTION:** *DO NOT operate the air conditioner without a filter because dirt and lint will clog it and reduce performance.*



**Outdoor Coils**

The coils on the outdoor side of the air conditioner should be checked regularly. If they are clogged with dirt or soot, they may be professionally cleaned.



# Installation Instructions

# Air Conditioner

? Questions? Call 800.GE.CARES (800.432.2737) or Visit our Website at: [ge.com](http://ge.com)



## BEFORE YOU BEGIN

Read these instructions completely and carefully.

- **IMPORTANT** — Save these instructions for local inspector's use.
- **IMPORTANT** — Observe all governing codes and ordinances.
- **Note to Installer** – Be sure to leave these instructions with the Consumer.
- **Note to Consumer** – Keep these instructions for future reference.
- **Skill level** – Installation of this appliance requires basic mechanical skills.
- **Completion time** – Approximately 1 hour
- We recommend that two people install this product.
- Proper installation is the responsibility of the installer.
- Product failure due to improper installation is not covered under the Warranty.
- You **MUST** use all supplied parts and use proper installation procedures as described in these instructions when installing this air conditioner.

## ⚠ CAUTION:

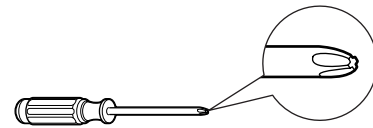
Do not, under any circumstances, cut or remove the third (ground) prong from the power cord.

Do not change the plug on the power cord of this air conditioner.

Aluminum house wiring may present special problems—consult a qualified electrician.

Do not install this air conditioner in a window if the bolts do not contact the window sill. See the Window Installation Instructions in this manual.

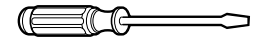
## TOOLS YOU WILL NEED



Phillips head screwdriver



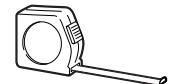
Adjustable wrench



Flat-blade screwdriver



Pencil



Ruler or tape measure



Level



Scissors or knife



## ELECTRICAL REQUIREMENTS



Some models require a 115/120-volt a.c., 60 Hz grounded outlet protected with a 15-amp time delay fuse or circuit breaker.

The 3-prong grounding plug minimizes the possibility of electric shock hazard. If the wall outlet you plan to use is only a 2-prong outlet, it is your responsibility to have it replaced with a properly grounded 3-prong wall outlet.



Some models require 230/208-volt a.c., protected with a time delay fuse or circuit breaker. These models should be installed



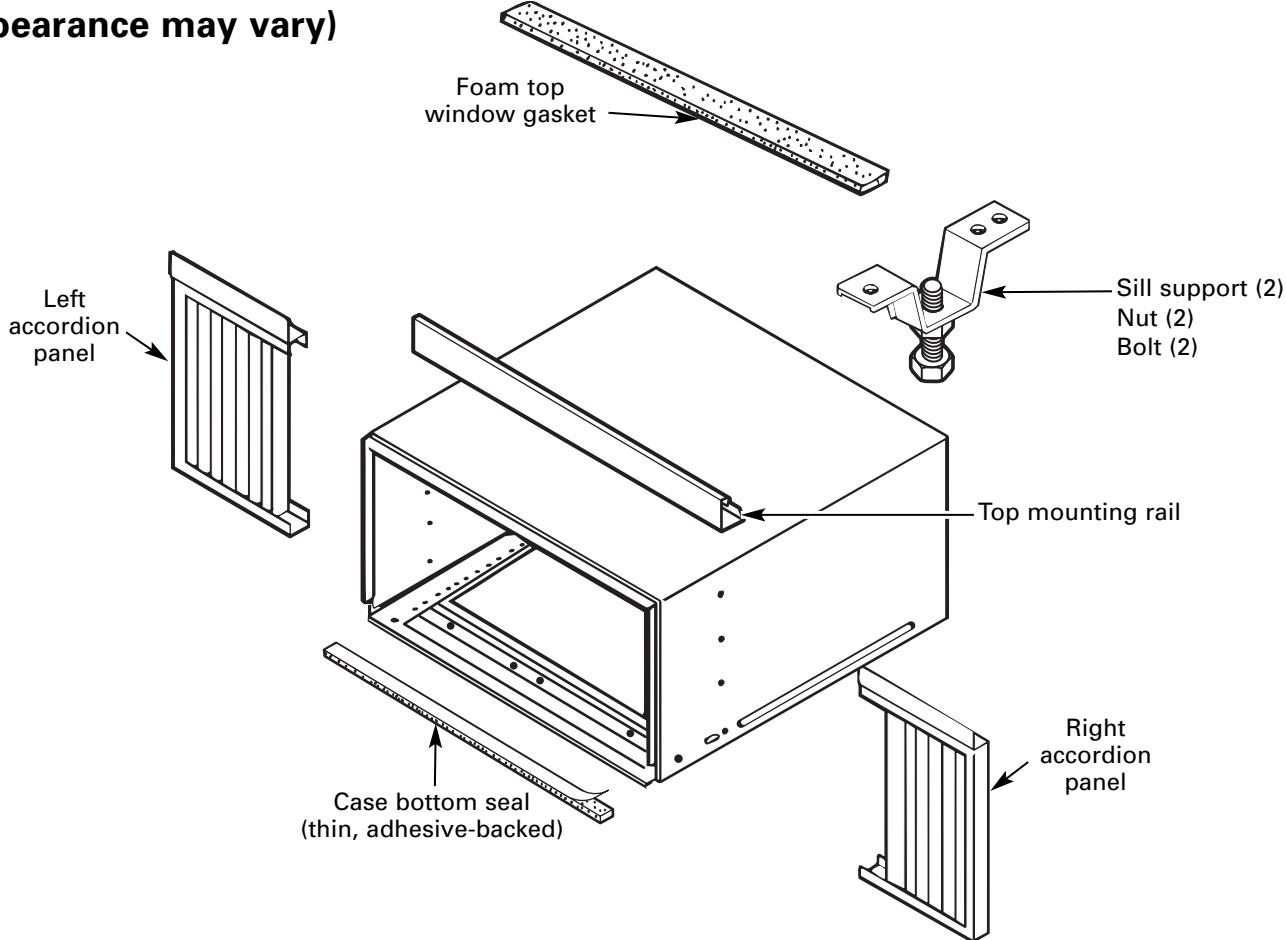
on their own single branch circuit for best performance and to prevent overloading house or apartment wiring circuits, which could cause a possible fire hazard from overheating wires.



Power cord includes a current interrupter device. A test and reset button is provided on the plug case. The device should be tested on a periodic basis by first pressing the **TEST** button and then the **RESET** button. If the **TEST** button does not trip or if the **RESET** button will not stay engaged, discontinue use of the air conditioner and contact a qualified service technician.

# Window Installation Instructions

## PARTS INCLUDED (appearance may vary)



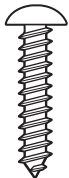
Type A (6)



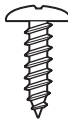
Type B (7)



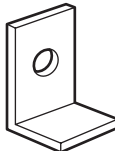
Type C (6)



Type D (3)



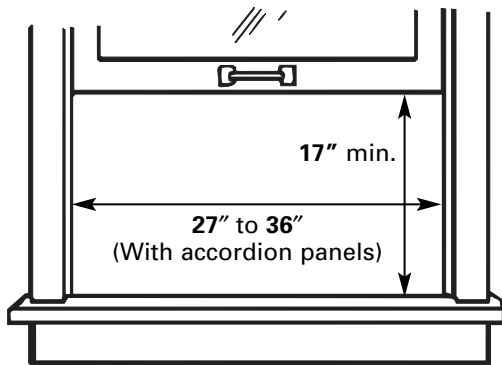
Window locking bracket (2)



# Window Installation Instructions

## 1 WINDOW REQUIREMENTS

- These instructions are for a standard double-hung window. You will need to modify them for other types of windows.
- All supporting parts must be secured to firm wood, masonry or metal.
- The electrical outlet must be within reach of the power cord.



## 2 STORM WINDOW REQUIREMENTS

A storm window frame will not allow the air conditioner to tilt toward the outside, and will keep it from draining properly. To adjust for this, attach a piece of wood to the stool.

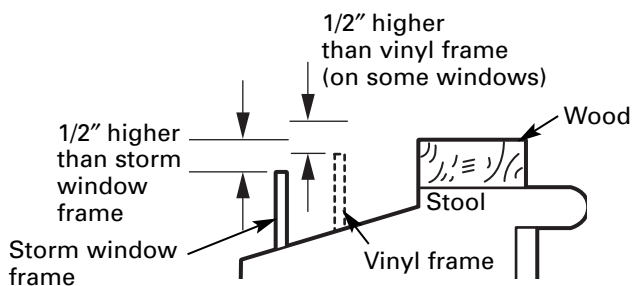
### WOOD PIECES—

**WIDTH:** 2"

**LENGTH:** Long enough to fit inside the window frame.

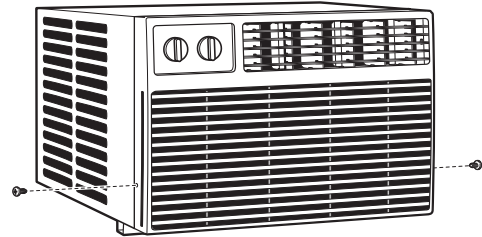
**THICKNESS:** To determine the thickness, place a piece of wood on the stool to make it 1/2" higher than the top of the storm window frame or the vinyl frame.

Attach securely with nails or screws provided by the installer.

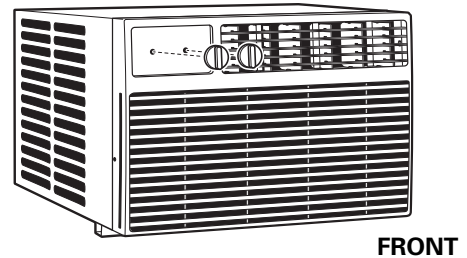


## 3 REMOVE THE AIR CONDITIONER FROM THE CASE

- A** Remove and save the 2 screws from the lower sides of the front grille.

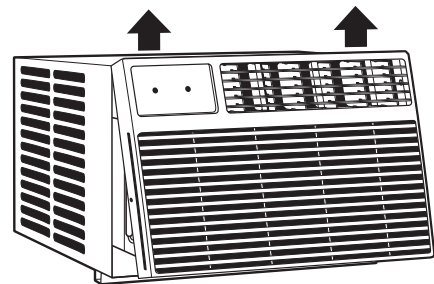


- B** Remove the two control knobs.

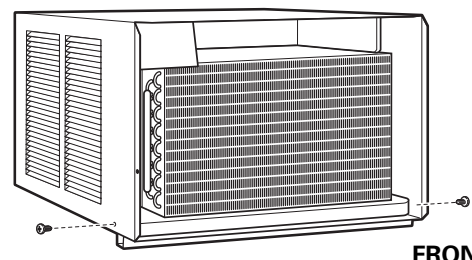


- C** Grasp the lower corners of the grille while pressing in on the case sides with your finger tips. Pull out to release and lift it up.

**NOTE:** Do not pull the bottom edge toward you more than 3" or you may damage the tabs of the grille.



- D** Remove the screw from each side of the case. Keep them in a safe location.

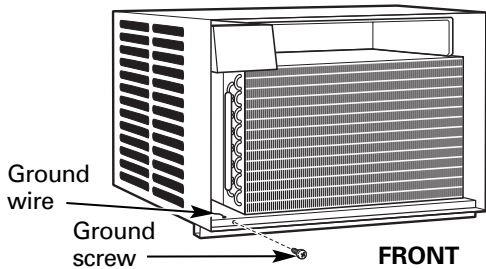




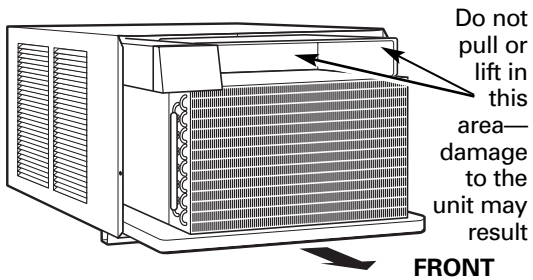
# Window Installation Instructions

## 3 REMOVE THE AIR CONDITIONER FROM THE CASE (CONT.)

- E** Remove and save the ground wire screw.

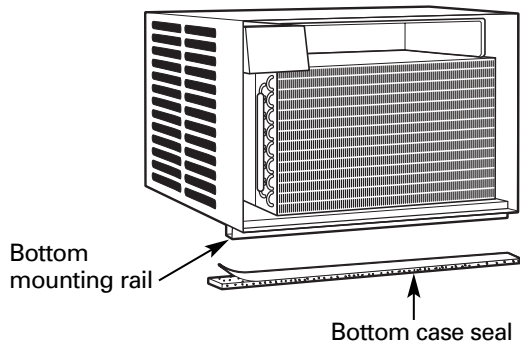


- F** Slide the air conditioner from the case by gripping the base pan handle and pulling forward while bracing the case. Do not pull or lift on the styrofoam discharge area.



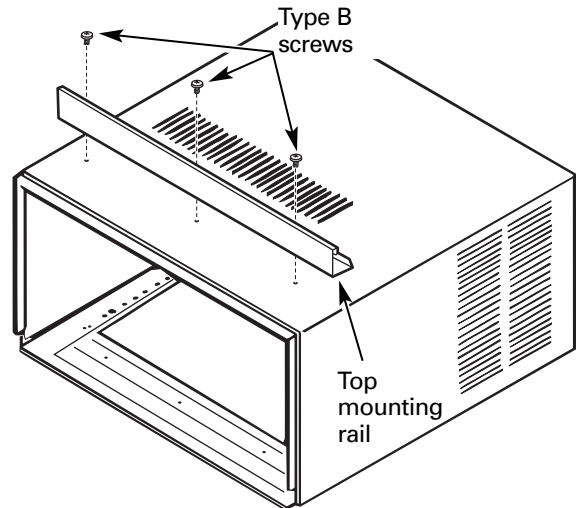
## 4 INSTALL THE BOTTOM CASE SEAL

- Peel the backing from the bottom case seal and attach it along the bottom of the case in front of the bottom mounting rail.



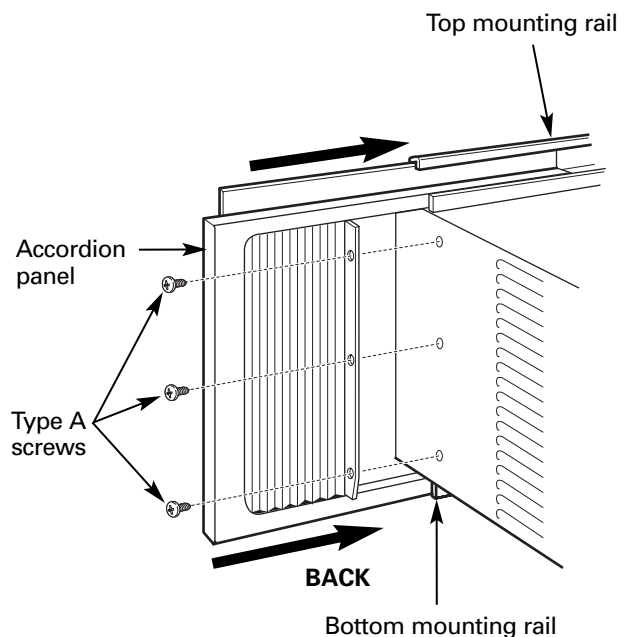
## 5 INSTALL THE TOP MOUNTING RAIL ONTO THE CASE

- Attach the top mounting rail onto the top of the case with 3 Type B screws. Press firmly to drive the screws into the gasket and through the top mounting rail.



## 6 INSTALL THE SIDE ACCORDION PANELS

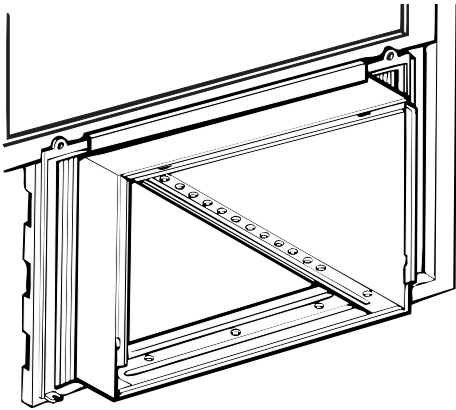
- A** Slide the left and right accordion panels into the top and bottom mounting rails.
- B** Attach the accordion panels to the case using 3 Type A screws on each side.



# Window Installation Instructions

## 7 INSTALL THE CASE IN THE WINDOW

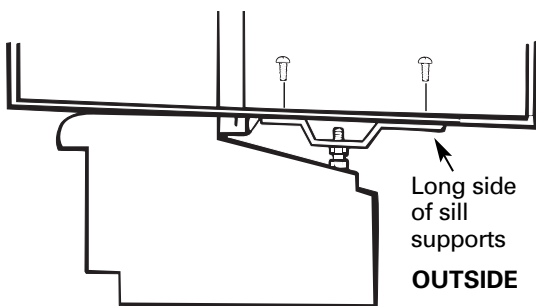
- A** Open the window and mark the centerline of the window stool.
- B** Carefully place the case on the window stool and align the center mark on the bottom front with the centerline of the stool.
- C** Pull the window down behind the top mounting rail.



**NOTE:** Do not shut the window so tightly that movement of the accordion panels is restricted.

- D** Select the position that will place the sill supports near the outermost point on the sill. Place the short side of the sill supports, on the case bottom, toward the window. Attach the sill supports to the case track hole in relation to the selected position using 2 Type B screws in each support.

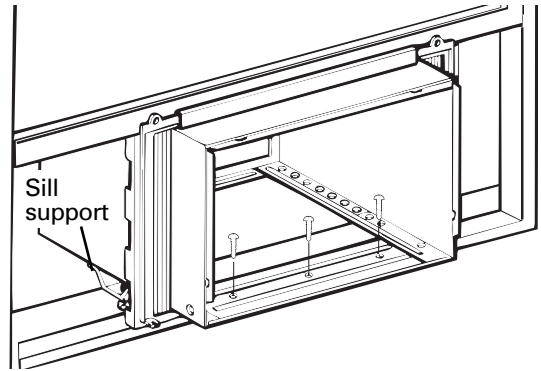
**CAUTION:** Do not install this air conditioner in a window if the bolts do not contact the window sill.



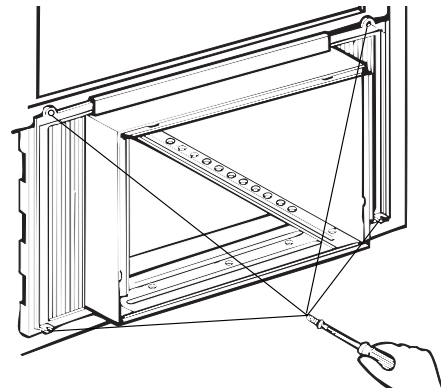
- E** Adjust the bolt and the nut in each support so that the case is installed with a slight tilt to the outside. Use a level; no more than 1/2 bubble will be the correct case slant to the outside.

## 7 INSTALL THE CASE IN THE WINDOW (CONT.)

- F** Secure the case to the window stool by using 3 Type D screws.

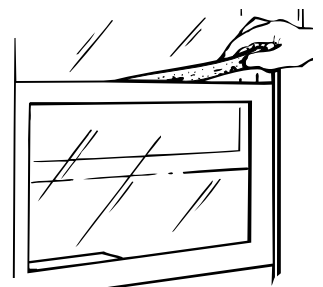
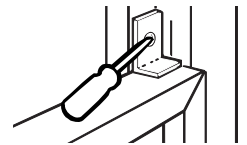


- G** Pull the accordion panels to each window sash track. Attach them on each side to the window sash and the window stool using 4 Type C screws.



## 8 SECURE THE CASE IN THE WINDOW AND INSTALL THE FOAM TOP WINDOW GASKET

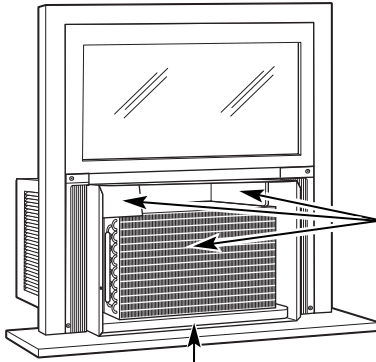
- A** Attach the window locking brackets (one on each side) with Type C screws.
- B** Cut the foam top window gasket to the window width.
- C** Stuff the foam between the glass and the window to prevent air and insects from getting into the room.



# Window Installation Instructions

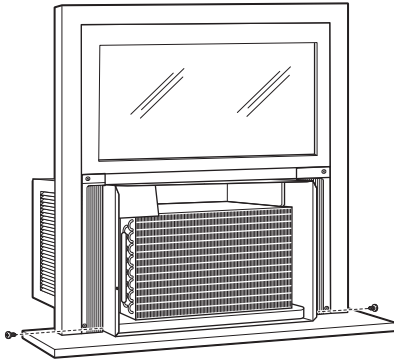
## 9 INSTALL THE AIR CONDITIONER IN THE CASE

- A** Slide the air conditioner into the case by the base pan. Do not push on the controls, styrofoam air discharge housing or the finned coils. Make sure the air conditioner is firmly seated.

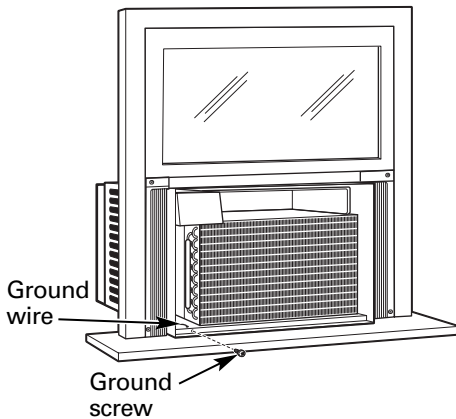


Base Pan

- B** Replace the 2 screws removed earlier, one on each side of the case.

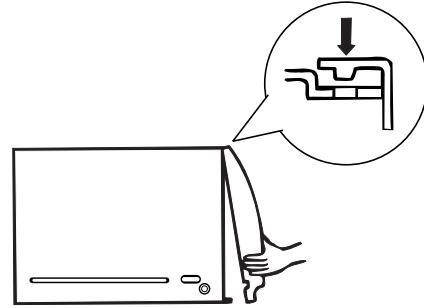


- C** Reattach the ground wire to the unit using the ground wire screw.

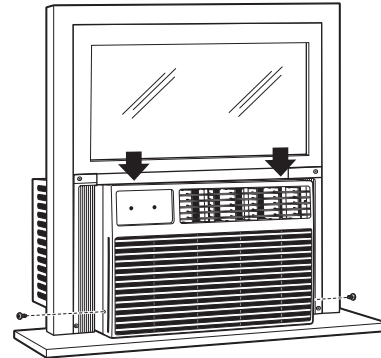


## 9 INSTALL THE AIR CONDITIONER IN THE CASE (CONT.)

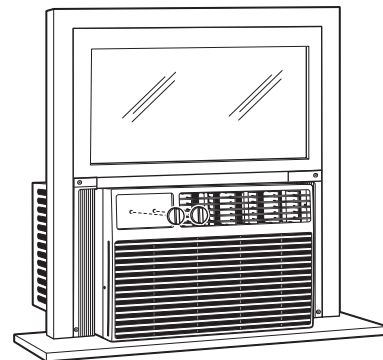
- D** Attach the front grille to the case by inserting the tabs on the grille into the slots on the front top of the case. Push the grille in.



- E** Secure the front grille to the case by replacing the 2 screws removed earlier. Press on the top of the grille to help with side screw installation.



- F** Replace the two control knobs.



- G** Connect power.

# Through-the-Wall Installation Instructions—Optional

The case may be installed through-the-wall in both existing and new construction.

Read completely, then follow step-by-step.

**NOTE:** Obtain all materials locally for mounting the air conditioner through-the-wall.

## 1 IMPORTANT

Through-the-wall installation is not appropriate if any of the side or top louvers in the case will be obstructed by the wall.

All side and top louvers in the case must project on the outdoor side of the wall.

The room side of the case must project into the room far enough to maximize the balance of the unit.

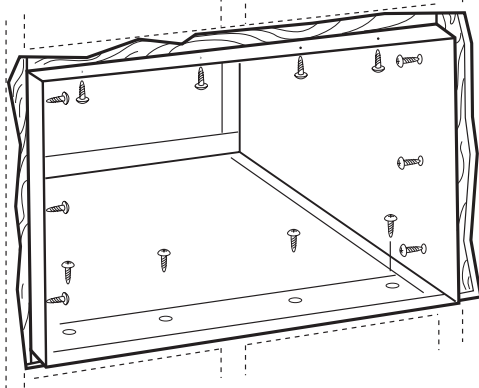
The case must be installed level from side-to-side and with a slight tilt from front to rear. Use a level; no more than a 1/2 bubble will be the correct case slant to the outside.

Lintel angle is required to support bricks or blocks above opening.

Flashing is required and should extend the length of the opening to ensure no inside cavity leakage occurs.

**A** Remove the air conditioner from the case. For specific instruction, refer to the Window Installation Instructions.

**B** Make certain that a wall receptacle is available close to the hole location or make arrangements to install a receptacle.



**C** Place the case in the wall opening and place wood support strips between the case bottom and the flashing on both sides of the bottom rail. They should be the same height as the bottom rail and the same length as the wall opening.

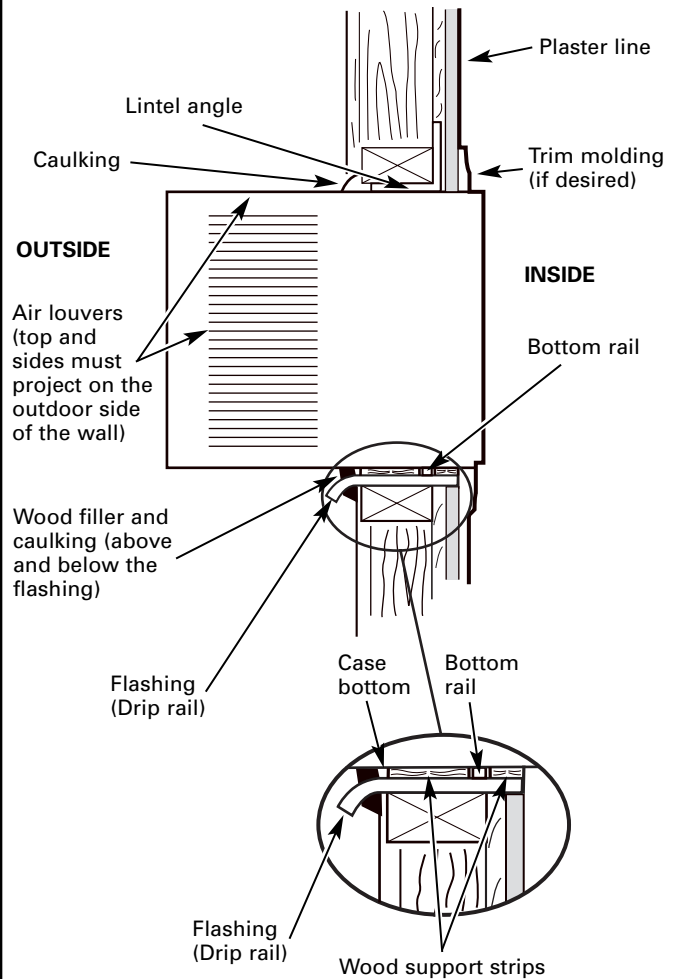
## 1 IMPORTANT (cont.)

**D** Secure with 14 wood screws anchored at least an inch into the wall support structure.

**NOTE:** Drill pilot holes, if necessary, for proper installation. If the frame is oversized, use shims to prevent case distortion.

## 2 FINISH THE WALL OPENING

**A** Caulk all four sides on the outdoor side of the case to prevent moisture from getting through to the interior wall. Use of flashing (drip rail) will further prevent water from dripping inside the wall and down the outside of the building.



**B** Place the air conditioner into the case. For specific instruction, refer to the Window Installation Instructions.



## Troubleshooting Tips

Save time and money! Review the chart below first and you may not need to call for service.

Problem	Possible Causes	What To Do
<b>Air conditioner does not start</b>	The air conditioner is unplugged	<ul style="list-style-type: none"> <li>• Make sure the air conditioner plug is pushed completely into the outlet.</li> </ul>
	The fuse is blown/circuit breaker is tripped	<ul style="list-style-type: none"> <li>• Check the house fuse/circuit breaker box and replace the fuse or reset the breaker.</li> </ul>
	Power failure	<ul style="list-style-type: none"> <li>• The unit will automatically re-start in the settings last used after the power is restored.</li> <li>• There is a protective time delay (approximately 3 minutes) to prevent tripping of the compressor overload. For this reason, the unit may not start normal cooling or heating for 3 minutes after it is turned back on.</li> </ul>
	The current interrupter device is tripped	<ul style="list-style-type: none"> <li>• Press the <b>RESET</b> button located on the power cord plug.</li> <li>• If the <b>RESET</b> button will not stay engaged, discontinue use of the air conditioner and contact a qualified service technician.</li> </ul>
<b>Air conditioner freezing up</b>	Ice blocks the air flow and stops the air conditioner from cooling the room	<ul style="list-style-type: none"> <li>• Set the mode control at <b>Fan Only</b> or <b>Hi Cool</b> with the temp control at a warmer setting.</li> </ul>
<b>Air conditioner does not cool as it should</b>	Airflow is restricted	<ul style="list-style-type: none"> <li>• Make sure there are no curtains, blinds or furniture blocking the front of the air conditioner.</li> </ul>
	The temp control may not be set correctly	<ul style="list-style-type: none"> <li>• Turn the temperature knob clockwise as far as possible.</li> </ul>
	The air filter is dirty	<ul style="list-style-type: none"> <li>• Clean the filter at least every 30 days. See the <i>Operating Instructions</i> section.</li> </ul>
	The room may have been hot	<ul style="list-style-type: none"> <li>• When the air conditioner is first turned on you need to allow time for the room to cool down.</li> </ul>
	Cold air is escaping	<ul style="list-style-type: none"> <li>• Check for open furnace floor registers and cold air returns.</li> <li>• Set the air conditioner's vent to the closed position.</li> </ul>
	Cooling coils have iced up	<ul style="list-style-type: none"> <li>• See "<b>Air conditioner freezing up</b>" above.</li> </ul>
<b>Air conditioner does not warm as it should</b>	Airflow is restricted	<ul style="list-style-type: none"> <li>• Make sure there are no curtains, blinds or furniture blocking the front of the air conditioner.</li> </ul>
	The temp control may not be set low enough	<ul style="list-style-type: none"> <li>• Turn the knob counterclockwise as far as possible. The lowest setting provides maximum warming.</li> </ul>
	The air filter is dirty	<ul style="list-style-type: none"> <li>• Clean the filter at least every 30 days. See the <i>Operating Instructions</i> section.</li> </ul>
	The room may have been cold	<ul style="list-style-type: none"> <li>• When the air conditioner is first turned on, you need to allow time for the room to warm up.</li> </ul>
	Warm air is escaping	<ul style="list-style-type: none"> <li>• Check for open furnace floor registers and cold air returns.</li> </ul>

# Before you call for service...



## Troubleshooting Tips

<b>Problem</b>	<b>Possible Causes</b>	<b>What To Do</b>
<b>Water drips outside</b>	Excessively hot and humid weather	<ul style="list-style-type: none"> <li>• This is normal.</li> </ul>
<b>Water drips indoors</b>	The air conditioner is not tilted to the outside	<ul style="list-style-type: none"> <li>• For proper water disposal, make sure the air conditioner slants slightly from the case front to the rear.</li> </ul>
<b>Water collects in base pan</b>	Moisture is removed from indoor air and drains into rear of a cabinet where a fan blows it against the outdoor condenser coil	<ul style="list-style-type: none"> <li>• This is normal for a short period in areas with little humidity; normal for a longer period in very humid areas.</li> </ul>

# GE Air Conditioner Warranty.



All warranty service provided by our Factory Service Centers, or an authorized Customer Care® technician. To schedule service, on-line, 24 hours a day, visit us at [ge.com](http://ge.com), or call 800.GE.CARES (800.432.2737). Have serial number and model number available when calling for service.

Staple your receipt here.  
Proof of the original purchase date is needed to obtain service under the warranty.

For The Period Of:	GE Will Replace:
<b>One Year</b> From the date of the original purchase	<b>Any part</b> of the air conditioner which fails due to a defect in materials or workmanship. During this <b>limited one-year warranty</b> , GE will also provide, <b>free of charge</b> , all labor and related service to replace the defective part.

## What Is Not Covered:

- Service trips to your home to teach you how to use the product.
- Improper installation, delivery or maintenance. If you have an installation problem, or if the air conditioner is of improper cooling capacity for the intended use, contact your dealer or installer. You are responsible for providing adequate electrical connecting facilities.
- Failure of the product resulting from modifications to the product or due to unreasonable use including failure to provide reasonable and necessary maintenance.
- In commercial locations, labor necessary to move the unit to a location where it is accessible for service by an individual technician.
- Replacement of house fuses or resetting of circuit breakers.
- Failure due to corrosion on models not corrosion-protected.
- Damage to the product caused by improper power supply voltage, accident, fire, floods or acts of God.
- Incidental or consequential damage caused by possible defects with this air conditioner.
- Damage caused after delivery.

**EXCLUSION OF IMPLIED WARRANTIES**—Your sole and exclusive remedy is product repair as provided in this Limited Warranty. Any implied warranties, including the implied warranties of merchantability or fitness for a particular purpose, are limited to one year or the shortest period allowed by law.

This warranty is extended to the original purchaser and any succeeding owner for products purchased for home use within the USA. In Alaska, the warranty excludes the cost of shipping or service calls to your home.

Some states do not allow the exclusion or limitation of incidental or consequential damages. This warranty gives you specific legal rights, and you may also have other rights which vary from state to state. To know what your legal rights are, consult your local or state consumer affairs office or your state's Attorney General.

Warrantor: General Electric Company, Louisville, KY 40225

Safety Instructions

Operating Instructions

Installation Instructions

Troubleshooting Tips

Consumer Support

## Consumer Support.

---



### *GE Appliances Website*

**ge.com**

Have a question or need assistance with your appliance? Try the GE Appliances Website any day of the year! For greater convenience and faster service, you can now download Owner's Manuals, order parts or even schedule service on-line.



### *Schedule Service*

**ge.com**

Expert GE repair service is only one step away from your door. Get on-line and schedule your service at your convenience 24 hours any day of the year! Or call 800.GE.CARES (800.432.2737) during normal business hours.



### *Real Life Design Studio*

**ge.com**

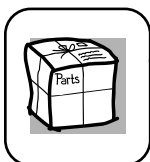
GE supports the Universal Design concept—products, services and environments that can be used by people of all ages, sizes and capabilities. We recognize the need to design for a wide range of physical and mental abilities and impairments. For details of GE's Universal Design applications, including kitchen design ideas for people with disabilities, check out our Website today. For the hearing impaired, please call 800.TDD.GEAC (800.833.4322).



### *Extended Warranties*

**ge.com**

Purchase a GE extended warranty and learn about special discounts that are available while your warranty is still in effect. You can purchase it on-line anytime, or call 800.626.2224 during normal business hours. GE Consumer Home Services will still be there after your warranty expires.

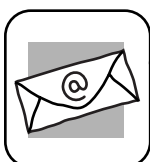


### *Parts and Accessories*

**ge.com**

Individuals qualified to service their own appliances can have parts or accessories sent directly to their homes (VISA, MasterCard and Discover cards are accepted). Order on-line today, 24 hours every day or by phone at 800.626.2002 during normal business hours.

***Instructions contained in this manual cover procedures to be performed by any user. Other servicing generally should be referred to qualified service personnel. Caution must be exercised, since improper servicing may cause unsafe operation.***



### *Contact Us*

**ge.com**

If you are not satisfied with the service you receive from GE, contact us on our Website with all the details including your phone number, or write to: General Manager, Customer Relations  
GE Appliances, Appliance Park  
Louisville, KY 40225



### *Register Your Appliance*

**ge.com**

**Register your new appliance on-line—at your convenience!** Timely product registration will allow for enhanced communication and prompt service under the terms of your warranty, should the need arise. You may also mail in the pre-printed registration card included in the packing material.