

# AEE18DK

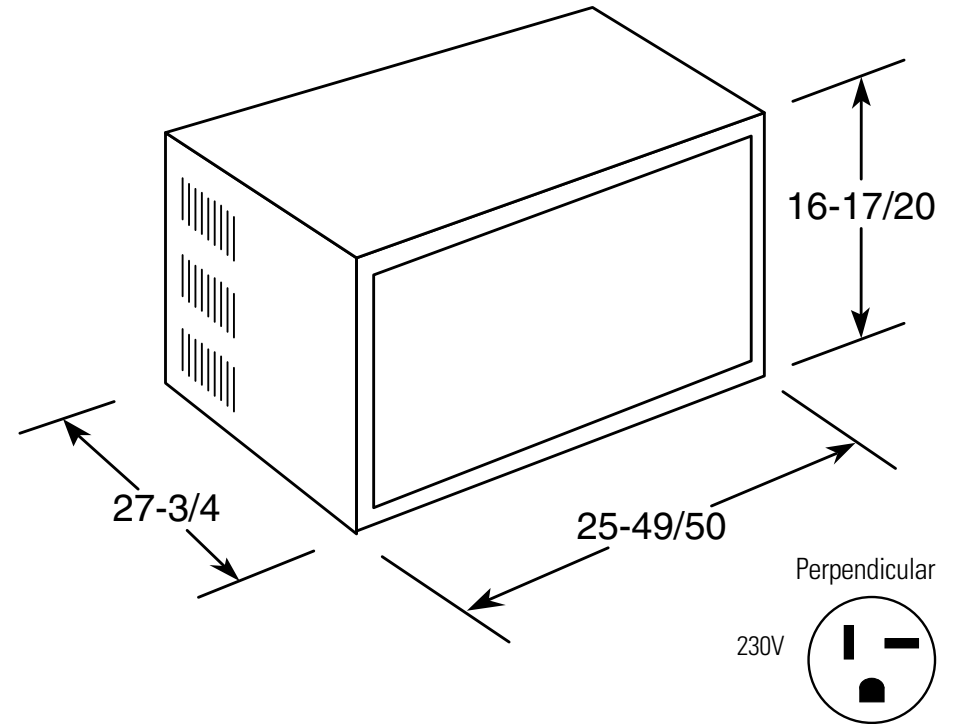
## GE® 230 Volt Heat/Cool Series Room Air Conditioner

### Wall Case Dimensions and Installation Information (in inches)

**Note:** When installing slide-out chassis units in through-the-wall applications, keep louvers free. Do not restrict air flow areas. Fixed chassis units are not suitable for through-the-wall applications.

**Wall Outlets:** All wiring including installation of receptacle must be made in accordance with local electrical codes and regulations. Electrical outlet should be in reach of line cord.

**Note:** Aluminum wiring may pose special problems – consult a qualified electrician.



For answers to your Monogram®, GE Profile™ or GE® appliance questions, visit our website at [ge.com](http://ge.com) or call GE Answer Center® service, 800.626.2000.



Total volume and shelf area are calculated by the Association of Home Appliance Manufacturers' standards.



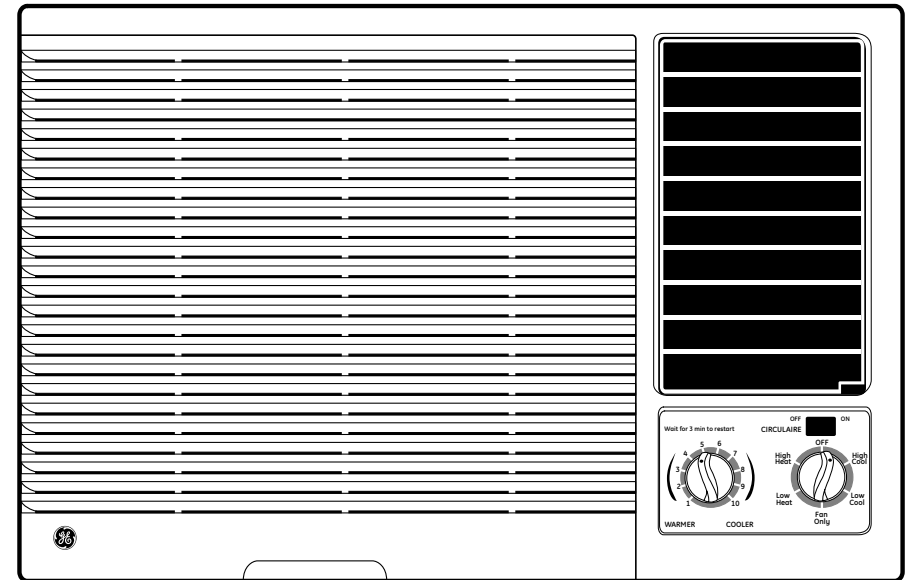
Listed by Underwriters Laboratories

# AEE18DK

## GE® 230 Volt Heat/Cool Series Room Air Conditioner

### Features and Benefits

- 18,000/17,600 Cooling BTU
- 9.7/9.7 EER
- 11,000/8,700 BTU Heat
- 3.0 Dehumidification (pints/hr)
- 230/208 Volts
- 2 Cooling / 1 Fan Only Speeds
- Model AEE18DK - Light cool gray



imagination at work